



ANSI/ASSP Z359.14-2021
(Class 1)
(Class 2)

OSHA 29 CFR 1910.140
OSHA 29 CFR 1926.502

**3M™ PROTECTA®
SELF-RETRACTING DEVICES**

**USER INSTRUCTIONS
5908109 REV. A**

Fall Protection

☑ For identification of product codes, refer to Table 1. See "Table 1 - Product Specifications" for more product information.

Figure 1 - Product Overview

Model		Connectors		Housing Size	Lifeline	Extended Length (X)	Working Length (WL)
		A	B				
3590036	①	C1	C2	Size A	GS2	33 ft. (10 m)	31.2 ft. (9.5 m)
3590037	①	C1	C2	Size A	SS1	33 ft. (10 m)	31.2 ft. (9.5 m)
3590035	①	C1	C2	Size A	SS1	20 ft. (6 m)	18.2 ft. (5.6 m)
3590034	①	C1	C2	Size A	GS2	20 ft. (6 m)	18.2 ft. (5.6 m)
3590046	②	C1	C2	Size B	GS1	20 ft. (6 m)	17.2 ft. (5.3 m)
3590047	②	C1	C2	Size C	GS1	33 ft. (10 m)	30.1 ft. (9.2 m)
3590048	②	C1	C2	Size D	GS1	50 ft. (15 m)	47 ft. (14.3 m)
3590049	②	C1	C2	Size D	GS1	66 ft. (20 m)	63 ft. (19.2 m)
3590038	①	C1	C2	Size E	GS2	50 ft. (15 m)	48.1 ft. (14.7 m)
3590039	①	C1	C2	Size E	SS1	50 ft. (15 m)	48.1 ft. (14.7 m)
3590040	①	C1	C2	Size G	GS2	66 ft. (20 m)	64 ft. (19.5 m)
3590041	①	C1	C2	Size G	SS1	66 ft. (20 m)	64 ft. (19.5 m)
3590042	①	C1	C2	Size G	GS2	85 ft. (26 m)	83 ft. (25.3 m)
3590043	①	C1	C2	Size G	SS1	85 ft. (26 m)	83 ft. (25.3 m)
3590044	①	C1	C2	Size G	GS2	100 ft. (30 m)	98 ft. (29.9 m)
3590045	①	C1	C2	Size G	SS1	100 ft. (30 m)	98 ft. (29.9 m)
3590050	③	C1	C2	Size F	GS2	50 ft. (15 m)	48.1 ft. (14.7 m)
3590051	③	C1	C2	Size F	GS2	50 ft. (15 m)	48.1 ft. (14.7 m)
3590052	③	C1	C2	Size F	GS2	50 ft. (15 m)	48.1 ft. (14.7 m)
3590053	③	C1	C2	Size F	GS2	50 ft. (15 m)	48.1 ft. (14.7 m)
3590298	④	C1	C2	Size H	GS1	50 ft. (15 m)	46.8 ft. (14.3 m)

EN SAFETY INFORMATION

Please read, understand, and follow all safety information contained in these instructions, prior to the use of this product. FAILURE TO DO SO COULD RESULT IN SERIOUS INJURY OR DEATH.

These instructions must be provided to the user of the equipment. Retain these instructions for future reference.

Intended Use:

This product is used as part of a complete Fall Protection system.

Use in any other application including, but not limited to, material handling, recreational or sports-related activities, or other activities not described in these instructions, is not approved by 3M and could result in serious injury or death.

This product is only to be used by trained users in workplace applications.

WARNING

This product is used as part of a complete Fall Protection system. All users must be fully trained in the safe installation and operation of their complete Fall Protection system. **Misuse of this product could result in serious injury or death.** For proper selection, operation, installation, maintenance, and service, refer to all instruction manuals and manufacturer recommendations. For more information, see your supervisor or contact 3M Technical Services.

- **To reduce the risks associated with using a Self-Retracting Device which, if not avoided, could result in serious injury or death:**
 - Inspect the product before each use and after any fall event, in accordance with the procedures specified in these instructions.
 - If inspection reveals an unsafe or defective condition, remove the product from service immediately and clearly tag it "DO NOT USE". Destroy or repair the product as required by these instructions.
 - Any product that has been subject to fall arrest or impact force must be immediately removed from service. Destroy or repair the product as required by these instructions.
 - Ensure that Fall Protection systems assembled from components made by different manufacturers are compatible and meet all applicable Fall Protection regulations, standards, or requirements. Always consult a Competent or Qualified Person before using these systems.
 - Ensure the product is kept free from all hazards including, but not limited to: entanglement with users, other workers, moving machinery, other surrounding objects, or impact from overhead objects that could fall onto the product or users.
 - Do not twist, tie, knot, or allow slack in the lifeline.
 - Avoid trip hazards with legs of the lifeline. Attach any unused lifeline legs to the lanyard parking elements on your full body harness, if present.
 - Do not exceed the number of allowable users specified in these instructions.
 - Do not use in applications that have an obstructed fall path. A clear path is required to lock the SRD. Working on slowly shifting materials (e.g. sand or grain), or within confined spaces or limited spaces, may not allow the worker to reach sufficient speed to lock the SRD.
 - Avoid sudden or quick movements during work operation because this may cause the SRD to unintentionally lock.
 - Use caution when installing, using, or moving the product as moving parts may create pinch points.
 - Use appropriate edge protection when the product may contact sharp edges or abrasive surfaces.
 - Ensure the product is configured and installed properly for safe operation as described in these instructions.
 - Immediately remove the product from service if it has been used in a descent.
 - Before use, ensure the descent path and landing area are clear of any obstructions or hazards.

- **To reduce the risks associated with working at height which, if not avoided, could result in serious injury or death:**
 - Your health and physical condition must allow you to safely work at height and to withstand all forces associated with a fall arrest event. Consult your doctor if you have questions regarding your ability to use this equipment.
 - Never exceed allowable capacity of your Fall Protection equipment.
 - Never exceed the maximum free fall distance specified for your Fall Protection equipment.
 - Do not use any Fall Protection equipment that fails inspection, or if you have concerns about the use or suitability of the equipment. Contact 3M Technical Services with any questions.
 - Some subsystem and component combinations may interfere with the operation of this equipment. Only use compatible connections. Contact 3M Technical Services before using this equipment in combination with components or subsystems other than those described in these instructions.
 - Use extra precautions when working around moving machinery, electrical hazards, extreme temperatures, chemical hazards, explosive or toxic gases, sharp edges, abrasive surfaces, or below overhead materials that could fall onto you or your Fall Protection equipment.
 - Ensure use of your product is rated for the hazards present in your work environment.
 - Ensure there is sufficient fall clearance when working at height.
 - Never modify or alter your Fall Protection equipment. Only 3M, or persons authorized in writing by 3M, may make repairs to 3M equipment.
 - Before using Fall Protection equipment, ensure a written rescue plan is in place to provide prompt rescue if a fall incident occurs.
 - If a fall incident occurs, immediately seek medical attention for the fallen worker.
 - Only use a full body harness for Fall Arrest applications. Do not use a body belt.
 - Minimize swing falls by working as directly below the anchorage point as possible.
 - A secondary Fall Protection system must be used when training with this product. Trainees must not be exposed to an unintended fall hazard.
 - Always wear appropriate Personal Protective Equipment when installing, using, or inspecting the product.
 - Never work below a suspended load or worker.
 - Always maintain 100% tie-off.

☑ Always ensure you are using the latest revision of your 3M instruction manual. Visit www.3m.com/userinstructions or contact 3M Technical Services for updated instruction manuals.

PRODUCT OVERVIEW:

Figure 1 illustrates the 3M™ Protecta® Self-Retracting Device (SRD). Protecta SRDs are drum-wound wire rope lifelines that retract into thermoplastic or aluminum housings.

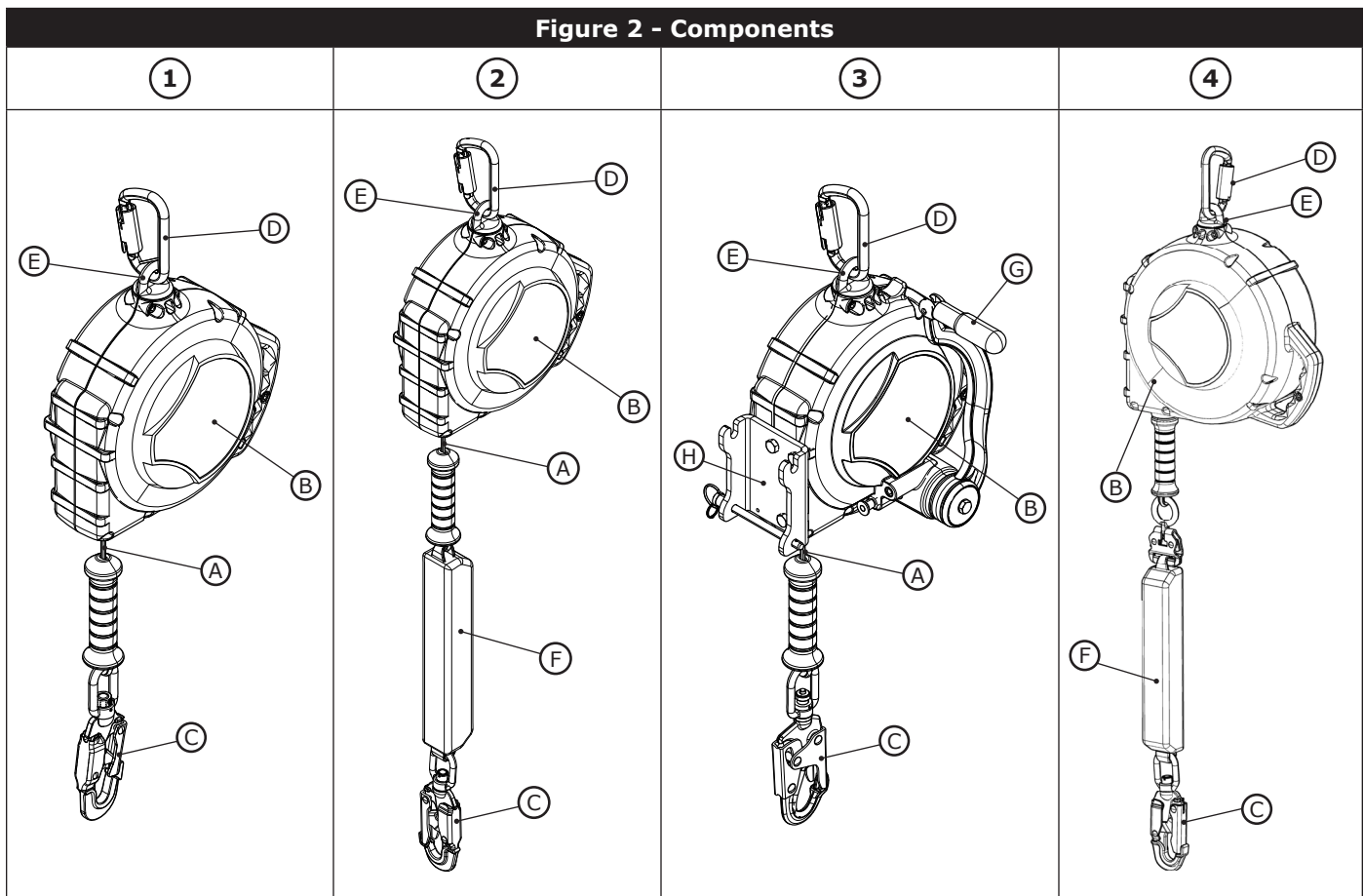
The following SRD types are covered by this instruction:

- **Class 1 Self-Retracting Device (Figures 1.1, 2.1):** Self-Retracting Devices (SRDs) are suitable for applications where the lifeline remains generally vertical during use. This type may be used for Fall Arrest or Restraint applications.
- **Class 2 Self-Retracting Device with Leading Edge (Figures 1.2, 2.2):** Self-Retracting Devices with Leading Edge (SRD-LEs) are suitable for applications where the lifeline remains generally horizontal during use. SRD-LEs have an integral energy absorber to withstand impact loading of the lifeline over a sharp or abrasive edge during fall arrest and minimize fall arrest forces on the user. This type may be used for Fall Arrest or Restraint applications.
- **Class 1 Self-Retracting Device with Rescue (Figures 1.3, 2.3):** Self-Retracting Devices with Rescue (SRD-Rs) include an integral means for assisted rescue by raising or lowering the rescue subject. This type may be used for Fall Arrest, Restraint, or Rescue applications.

Figure 2 identifies key components of the available SRD models. In a standard SRD, the Lifeline (A) extends and retracts from within the Housing (B). The Top Connector (D) mounted on the SRD secures the SRD to the anchorage point and is connected to the SRD by means of the Swivel Eye (E). The Bottom Connector (C) is secured at the end of the Lifeline and attaches to the designated Fall Arrest attachment element of the user's full body harness. Energy Absorbers (F) dissipate kinetic energy and limit deceleration forces during fall arrest.

SRD-R models covered in this instruction include some additional components. The Rotation Handle (G) is used to retrieve the Lifeline (A) after the Bottom Connector (C) has been secured to the harness of the subject of rescue. The Bracket (H) enables the SRD-R to be mounted to a tripod during use.

Each product model has its own particular size and its own combination of components as listed in Figure 1. See Table 1 for more information on Component Specifications.



Before using this equipment, record the product identification information from the ID label in the 'Inspection and Maintenance Log' at the back of this manual.

Table 1 – Product Specifications

System Specifications:

Anchorage:	Anchorage structure requirements vary with the system application and whether it is a certified anchorage or non-certified anchorage. The anchorage structure must sustain static loads applied in the directions permitted by the Fall Protection system.			
	System Application	Certified Anchorage	Non-Certified Anchorage	Defined by
	Fall Arrest	2 times maximum arresting force	5,000 lbf (22.2 kN)	OSHA, ANSI
	Restraint	2 times foreseeable force	1,000 lbf (4.4 kN) per ANSI 5,000 lbf (22.2 kN) per OSHA	OSHA, ANSI
Rescue	5 times applied load	3,000 lbf (13.3 kN)	ANSI	
When more than one system is attached to an anchorage, the strengths stated above must be multiplied by the number of systems attached to the anchorage. See ANSI Z359.2 for more information.				
<input checked="" type="checkbox"/> Anchorage must be approved by a Qualified Person.				
Service Temperature:	-40°F to 130°F (-40°C to 54.4°C)			
Standards:	Each product model is certified to, or conforms with, the applicable standards and regulations listed within Figure 1. If none are specified, then all standards and regulations listed on the cover apply.			
Capacity:	See the performance tables for product capacity. The listed capacities apply to use of the product in all compatible applications, unless otherwise stated. This product is for use by one user with a combined weight (including clothing, tools, etc.) within the applicable capacity range.			

Component Specifications:

Figure 2 Reference	Component	Materials
(A)	Lifeline	(see Lifeline Specifications)
(B)	Housing	Thermoplastic, Aluminum (Retrieval models only)
(C)	Bottom Connector	(see Connector Specifications)
(D)	Top Connector	(see Connector Specifications)
(E)	Swivel Eye	Steel
(F)	Energy Absorber	Polyester fabric cover with polyester lifeline
(G)	Rotation Handle	Steel
(H)	Bracket	Stainless steel
(I)	Modular Connector	Zinc-plated steel
---	Drum	Aluminum

Internal Components: Internal SRD components are made from a combination of Stainless Steel, Steel, and Aluminum.

Connector Specifications:

Figure 1 Reference	Model Number	Description	Material	Gate Opening	Gate Strength
C1	2000112	Carabiner	Steel	11/16 in. (17 mm)	3,600 lbf (16 kN)
C2	2000175	Swivel self-locking snap hook	Zinc-plated steel	3/4 in. (19 mm)	3,600 lbf (16 kN)

Tensile Strength: The tensile strength of each of the connectors listed above is 22.2 kN (5,000 lbf).

Modular Connectors:

SRD Model	Modular Energy Absorber	Connecting Component	
		D-ring	Buckle
3590298	1340151	9506214	9501441

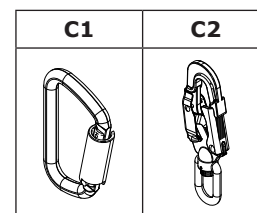


Table 1 – Product Specifications

Lifeline Specifications:	
Figure 1 Reference	Description
GS1	7/32 in. (5.56 mm) galvanized steel wire rope
GS2	3/16 in. (4.76 mm) galvanized steel wire rope
SS1	3/16 in. (4.76 mm) stainless steel wire rope

Performance - SRDs	ANSI Models	OSHA Models	OSHA Models
Capacity Range:	130 lb. - 310 lb. (59 kg - 140 kg)	130 lb. - 310 lb. (59 kg - 140 kg)	311 lb. - 420 lb. (141 kg - 191 kg)
Maximum Arresting Force:	1,800 lbf (8 kN)	1,350 lbf (5 kN)	1,350 lbf (5 kN)
Average Arresting Force:	1,350 lbf (5 kN)	900 lbf (4 kN)	N/A
Maximum Arrest Distance: <i>*Assumes the SRD is mounted directly above the user.</i>	42 in (1.1 m)	42 in (1.1 m)	42 in (1.1 m)
Minimum Fall Clearance Required: <i>*Assumes the SRD is mounted directly above the user.</i>	6 ft (1.8 m)	6 ft (1.8 m)	7 ft (2.1 m)
Maximum Free Fall: <i>*SRD must be mounted above user's D-ring.</i>	2 ft (0.6 m)	2 ft (0.6 m)	2 ft (0.6 m)

Performance - SRD-LEs 20 ft. & 33 ft.	ANSI Models	OSHA Models
Capacity Range:	130 lb. - 310 lb. (59 kg - 140 kg)	130 lb. - 310 lb. (59 kg - 140 kg)
Maximum Arresting Force:	1,800 lbf (8 kN)	1,350 lbf (5 kN)
Average Arresting Force:	1,350 lbf (5 kN)	900 lbf (4 kN)
Maximum Arrest Distance: <i>*Assumes the SRD is mounted directly above the user.</i>	42 in (1.1 m)	42 in (1.1 m)
Minimum Fall Clearance Required:	Vertical: 6 ft. (1.8 m) Horizontal: 18.1 ft. (5.5 m)	Vertical: 6 ft. (1.8 m) Horizontal: 18.1 ft. (5.5 m)
Maximum Free Fall: <i>*SRD must be mounted above user's D-ring.</i>	2 ft (0.6 m)	2 ft (0.6 m)
Maximum Free Fall - LE: <i>*Measured from user's D-ring to working surface.</i>	5 ft (1.5 m)	---

Performance - SRD-LEs 50 ft., 66 ft., and Modular	ANSI Models	OSHA Models
Capacity Range:	130 lb. - 310 lb. (59 kg - 140 kg)	130 lb. - 310 lb. (59 kg - 140 kg)
Maximum Arresting Force:	1,800 lbf (8 kN)	1,800 lbf (8 kN)
Average Arresting Force:	1,350 lbf (5 kN)	N/A
Maximum Arrest Distance: <i>*Assumes the SRD is mounted directly above the user.</i>	42 in (1.1 m)	42 in (1.1 m)
Minimum Fall Clearance Required:	Vertical: 6 ft. (1.8 m) Horizontal: 18.1 ft. (5.5 m)	Vertical: 6 ft. (1.8 m) Horizontal: 18.1 ft. (5.5 m)
Maximum Free Fall: <i>*SRD must be mounted above user's D-ring.</i>	2 ft (0.6 m)	2 ft (0.6 m)
Maximum Free Fall - LE: <i>*Measured from user's D-ring to working surface.</i>	5 ft (1.5 m)	---

Table 1 – Product Specifications

Performance - SRD-Rs	ANSI Models	OSHA Models	OSHA Models
Capacity Range:	130 lb. - 310 lb. (59 kg - 140 kg)	130 lb. - 310 lb. (59 kg - 140 kg)	311 lbs. - 420 lbs. (141 kg - 191 kg)
Maximum Arresting Force:	1,350 lbf (6 kN)	1,350 lbf (6 kN)	1,350 lbf (5 kN)
Average Arresting Force:	1,125 lbf (5 kN)	900 lbf (4 kN)	900 lbf (4 kN)
Maximum Arrest Distance: <i>*Assumes the SRD is mounted directly above the user.</i>	42 in (1.1 m)	42 in (1.1 m)	42 in (1.1 m)
Minimum Fall Clearance Required: <i>*Assumes the SRD is mounted directly above the user.</i>	6 ft (1.8 m)	6 ft (1.8 m)	7 ft (2.1 m)
Maximum Free Fall: <i>*SRD must be mounted above user's D-ring.</i>	2 ft (0.6 m)	2 ft (0.6 m)	2 ft (0.6 m)
Maximum Lifting Load:	310 lb. (140 kg)	310 lb. (140 kg)	420 lb. (191 kg)

Dimensions:

Figure 1 Reference	R	W	D	
Size A	22.5 in. (57.2 cm)	9.8 in. (24.9 cm)	4.6 in. (11.7 cm)	
Size B	42.0 in. (106.7 cm)	9.8 in. (24.9 cm)	4.6 in. (11.7 cm)	
Size C	42.0 in. (106.7 cm)	11.1 in. (28.3 cm)	4.6 in. (11.7 cm)	
Size D	46.0 in. (116.8 cm)	12.9 in. (32.8 cm)	5.5 in. (14.0 cm)	
Size E	23.8 in. (60.5 cm)	11.1 in. (28.3 cm)	4.6 in. (11.7 cm)	
Size F	23.8 in. (60.5 cm)	11.1 in. (28.3 cm)	7.0 in. (17.8 cm)	
Size G	25.7 in. (65.3 cm)	12.9 in. (32.8 cm)	5.5 in. (14.0 cm)	
Size H	49.3 in. (125.1 cm)	12.9 in. (32.8 cm)	5.5 in. (14.0 cm)	

1.0 PRODUCT APPLICATION

- 1.1 **PURPOSE:** 3M Self-Retracting Devices (SRDs) are designed for use as a connecting subsystem in a Fall Protection system. Once anchored, the lifeline extends and retracts automatically as the worker moves. If a fall occurs, a sensing mechanism activates the device and arrests the fall. For more information on system applications, refer to the "Product Overview" and Table 1.
- 1.2 **SUPERVISION:** Use of this equipment must be supervised by a Competent Person.
- 1.3 **STANDARDS:** Your product conforms to the national or regional standards identified on the front cover of these instructions. If this product is resold outside the original country of destination, the re-seller must provide these instructions in the language of the country in which the product will be used.

For more information on certification or conformance requirements, refer to the applicable standards and regulations listed for your product (e.g. the ANSI/ASSP Z359 Fall Protection codes).

- 1.4 **TRAINING:** This equipment must be installed and used by persons trained in its correct application. These instructions are to be used as part of an employee training program as required by national, regional, or local standards. It is the responsibility of the users and installers of this equipment to ensure they are familiar with these instructions, trained in the correct care and use of this equipment, and are aware of the operating characteristics, application limitations, and consequences of improper use of this equipment.
- 1.5 **RESCUE PLAN:** When using this equipment and connecting subsystems, the employer must have a written rescue plan and the means to implement and communicate that plan to users, authorized persons, and rescuers. A trained, on-site rescue team is recommended. Team members should be provided with the equipment and techniques necessary to perform a successful rescue. Training should be provided on a periodic basis to ensure rescuer proficiency. Rescuers should be provided with these instructions. There should be visual contact or means of communication with the person being rescued at all times during the rescue process.

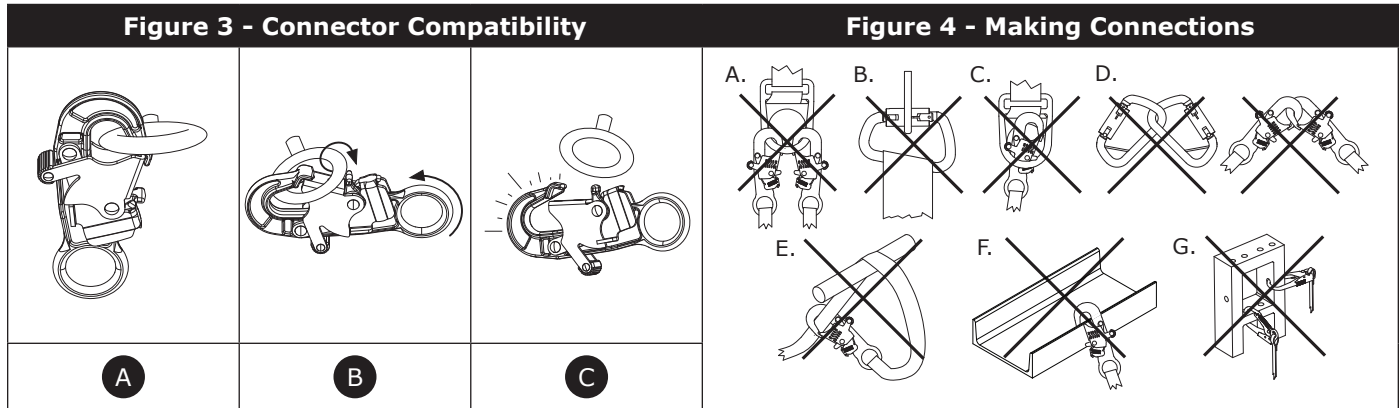
2.0 SYSTEM REQUIREMENTS

- 2.1 **ANCHORAGE:** Anchorage requirements vary with the Fall Protection application. The mounting structure on which the equipment is placed must meet the Anchorage specifications defined in Table 1.
- 2.2 **CAPACITY:** The user capacity of a complete Fall Protection system is limited by its lowest rated maximum capacity component. For example, if your connecting subsystem has a capacity that is less than your harness, you must comply with the capacity requirements of your connecting subsystem. See the manufacturer instructions for each component of your system for capacity requirements.
- 2.3 **ENVIRONMENTAL HAZARDS:** Use of this equipment in areas with environmental hazards may require additional precautions to prevent injury to the user or damage to the equipment. Hazards may include, but are not limited to: high heat, chemicals, corrosive environments, high voltage power lines, explosive or toxic gases, moving machinery, sharp edges, or overhead materials that may fall and contact the user or equipment. Contact 3M Technical Services for further clarification.
- 2.4 **LIFELINE HAZARDS:** Ensure the lifeline is kept free from all hazards including, but not limited to: entanglement with users, other workers, moving machinery, other surrounding objects, or impact from overhead objects that could fall onto the lifeline or users.
- 2.5 **FALL PATH AND SRD LOCKING SPEED:** Do not use in applications that have an obstructed fall path. A clear path is required to lock the SRD. Working on slowly shifting materials (e.g. sand or grain), or within limited spaces, may not allow the worker to reach sufficient speed to lock the SRD.
- 2.6 **COMPONENT COMPATIBILITY:** 3M equipment is designed for use with 3M equipment. Use with non-3M equipment must be approved by a Competent Person. Substitutions made with non-approved equipment may jeopardize equipment compatibility and may affect the safety and reliability of your Fall Protection system. Read and follow all instructions and warnings for all equipment prior to use.
- 2.7 **CONNECTOR COMPATIBILITY:** Connectors are compatible with connecting elements when the size and shape of either component does not cause the connector to inadvertently open, regardless of orientation. Connectors must comply with applicable standards. Connectors must be fully closed and locked during use.

3M Connectors (snap hooks and carabiners) are designed to be used only as specified in each instruction manual. Ensure connectors are compatible with the system components to which they are connected. Do not use equipment that is non-compatible. Use of non-compatible components may cause the connector to unintentionally disengage (see Figure 3). If the connecting element to which a connector attaches is undersized or irregular in shape, a situation could occur where the connecting element applies a force to the gate of the connector (A). This force could then cause the gate to open (B), disengaging the connector from the connecting element (C).

2.8 MAKING CONNECTIONS: All connections must be compatible in size, shape, and strength. See Figure 4 for examples of inappropriate connections. Do not attach snap hooks and carabiners:

- A. To a D-Ring to which another connector is attached.
- B. In a manner that would result in a load on the gate. Large-throat snap hooks should not be connected to standard-size D-Rings or other connecting elements, unless the snap hook has a gate strength of 16 kN (3,600 lbf) or greater.
- C. In a false engagement, where size or shape of the connector or connecting element is not compatible and, without visual confirmation, would seem to be fully engaged.
- D. To each other.
- E. Directly to webbing or rope lanyard or tie-back material, unless the instruction manuals for both the lanyard and connector specifically allow such a connection.
- F. To any object whose size or shape does not allow the connector to fully close and lock, or that could cause connector roll-out.
- G. In a manner that does not allow the connector to align properly while under load.



3.0 INSTALLATION

3.1 OVERVIEW: Installing this product requires effective planning and knowledge of fall clearance requirements. In the event of a fall, there must be enough fall clearance present to safely arrest the user.

3.2 PLANNING: Plan your Fall Protection system before starting your work. Account for all factors that may affect your safety before, during, and after a fall. Consider all requirements and limitations specified in these instructions.

A. SHARP EDGES: Avoid working where system components may be in contact with, or scrape against, unprotected sharp edges and abrasive surfaces. All sharp edges and abrasive surfaces should be covered with protective material.

Only SRD-LEs may be used for applications with unprotected sharp edges or abrasive surfaces.

3.3 FALL CLEARANCE: It is critical that the user is aware of fall clearance and its requirements before using this product.

A. DEFINITION: Fall clearance is the measure of distance between a user and the next obstruction below them. Before use of this product, the user should determine how much fall clearance is required to prevent them from striking an obstruction should they fall.

A user's **Required Fall Clearance (FC)** is the sum of **Free Fall (FF)**, **Deceleration Distance (DD)**, **Harness Stretch (HS)**, and a **Safety Factor (SF)**. See Figure 5.1 for reference.

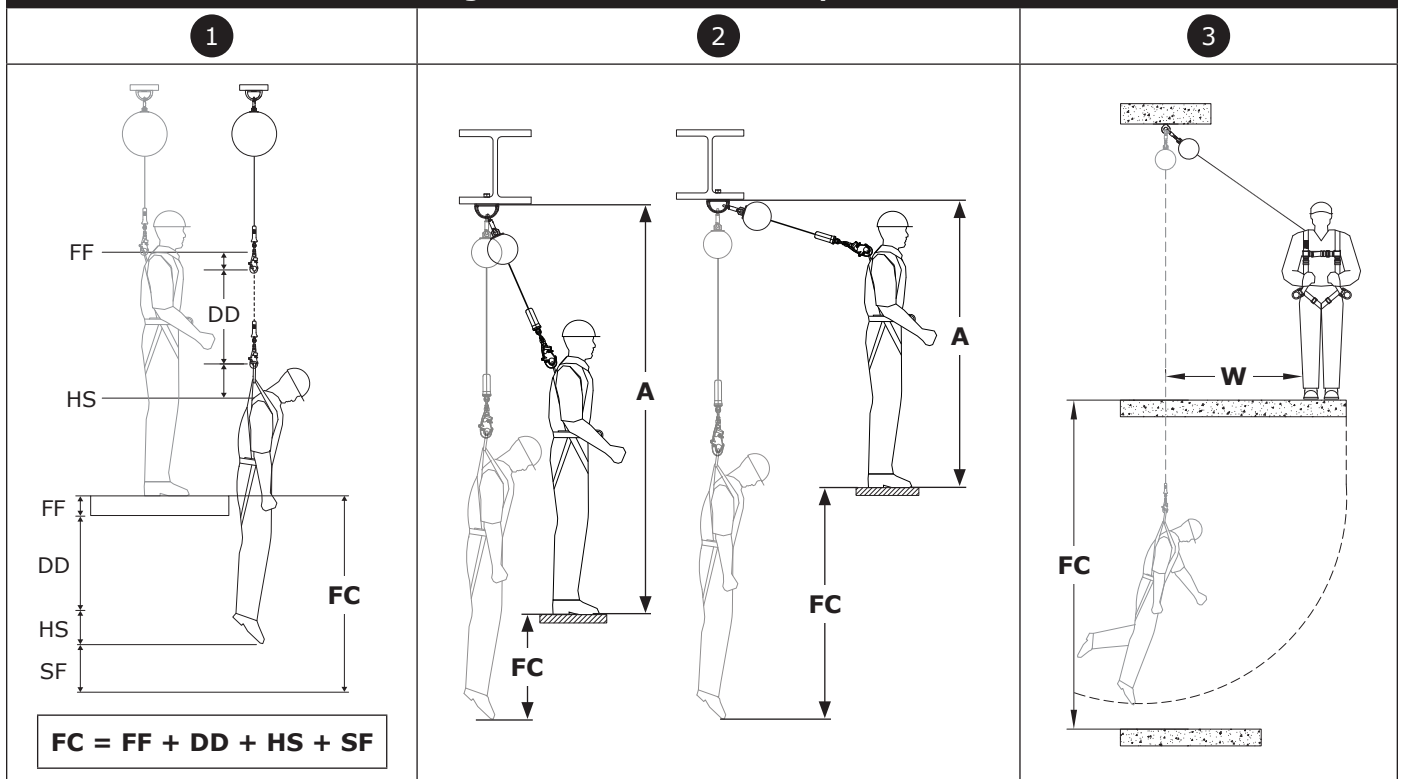
- **Free Fall (FF)** is the distance the user travels before activation of the deceleration device.
- **Deceleration Distance (DD)** is the distance the user falls measured from activation of the deceleration device until stopping.
- **Harness Stretch (HS)** is the amount of slack extending from the user's harness when the user is suspended by their harness attachment element.
- **Safety Factor (SF)** is a set amount of distance added to fall clearance to ensure user safety.

There may be additional factors affecting Required Fall Clearance within your Fall Arrest system, such as D-ring extension length and anchorage deflection. For coverage of these factors, and others not outlined above, refer to the manufacturer instructions for each component of your Fall Arrest system. Additional factors, when provided, should be added to the fall clearance values in this instruction.

B. MINIMIZING REQUIREMENTS: The user should always position their Fall Arrest system to minimize fall potential and potential fall distance. To keep fall clearance requirements to a minimum, it is recommended that the user work as directly below their anchorage point as possible.

- **ANCHORAGE HEIGHT:** The Required Fall Clearance (FC) for a user increases as Anchorage Height (A) decreases. The user experiences a greater amount of free fall when connected to an anchorage point below them, since the user will have to travel that much farther should they fall. See Figure 5.2 for reference.
- **SWING FALLS:** The Required Fall Clearance (FC) for a user increases as User Work Radius (W) increases. Swing falls occur when the anchorage point is not directly above the user when a fall occurs. See Figure 5.3 for reference. The force of striking an object during a swing fall could cause serious injury or death. Do not permit a swing fall if injury could occur.

Figure 5 - Fall Clearance Requirements



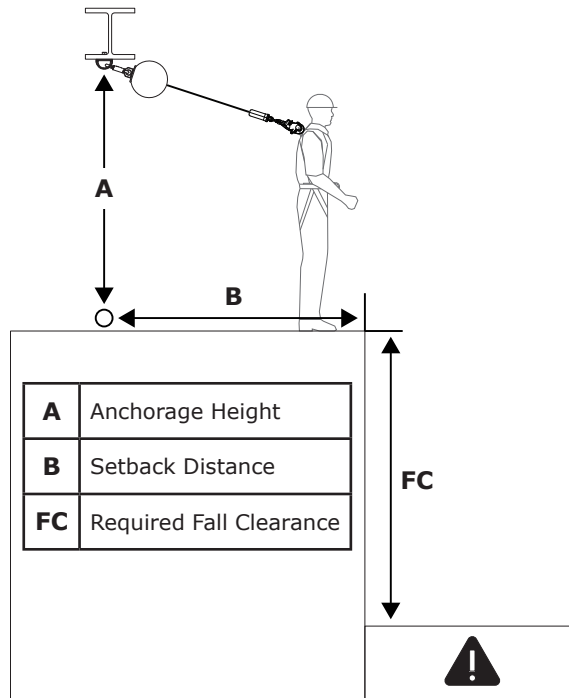
FALL CLEARANCE CHARTS

Required Fall Clearance has been provided within the charts below. To determine Required Fall Clearance:

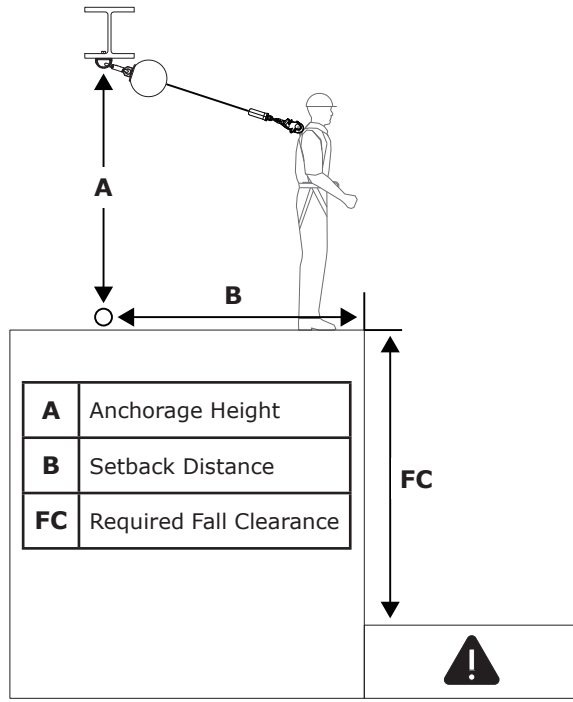
1. Select the clearance chart that matches your product type and includes a capacity fitting your combined weight.
2. Determine the Anchorage Height (A) of your subsystem. Anchorage Height is measured from the top of the working platform to the bottom of your anchorage connection point.
3. Determine the Setback Distance (B) of your system. Setback Distance is measured from directly below your anchorage connection point to the edge of the working platform.
4. After obtaining your Anchorage Height (A) and Setback Distance (B), use (A) and (B) within the Fall Clearance Chart to determine your Required Fall Clearance (FC).

☑ When values for (A) and (B) measured by the user do not match those listed in the table, the user should round up to the next highest listed value. If there is no higher listed value, then the user should reduce their intended Anchorage Height or Setback Distance to a lower value.

☑ A Safety Factor of 0.45 m (1.5 ft.) and a user height of 1.8 m (6.0 ft.) were used for all values listed. Kneeling or crouching will reduce effective user height and will require an additional 1.0 m (3.28 ft.) of Fall Clearance.

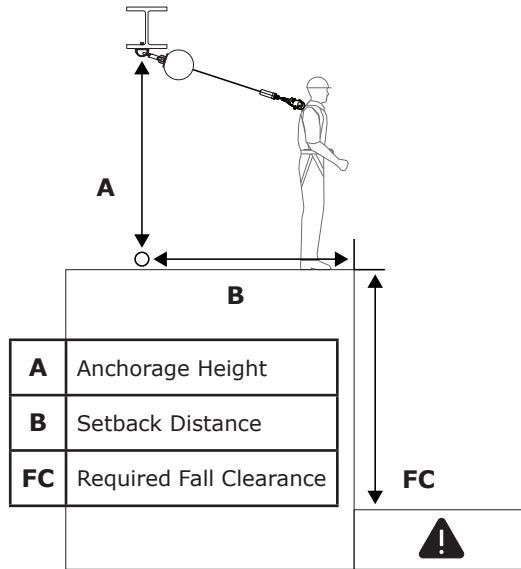


User Weight: 130 - 310 lb. (59 - 140 kg)		(B)																			
		0 ft. (0 m)	3 ft. (0.9 m)	6 ft. (1.83 m)	9 ft. (2.74 m)	12 ft. (3.66 m)	15 ft. (4.57 m)	18 ft. (5.49 m)	21 ft. (6.40 m)	24 ft. (7.32 m)	27 ft. (8.23 m)										
(A)	<8 ft. (2.40 m)																				
	8 ft. (2.40 m)	6.0 ft. (1.83 m)	7.4 ft. (2.26 m)	9.9 ft. (3.02 m)																	
	12 ft. (3.66 m)	6.0 ft. (1.83 m)	6.8 ft. (2.07 m)	8.4 ft. (2.56 m)																	
	16 ft. (4.88 m)	6.0 ft. (1.83 m)	6.7 ft. (2.04 m)	7.7 ft. (2.35 m)																	
	20 ft. (6.10 m)	6.0 ft. (1.83 m)	6.5 ft. (1.98 m)	7.2 ft. (2.19 m)	8.6 ft. (2.62 m)																
	24 ft. (7.32 m)	6.0 ft. (1.83 m)	6.5 ft. (1.98 m)	7.0 ft. (2.13 m)	8.1 ft. (2.47 m)	9.6 ft. (2.93 m)															
	28 ft. (8.53 m)	6.0 ft. (1.83 m)	6.4 ft. (1.95 m)	6.9 ft. (2.10 m)	7.8 ft. (2.38 m)	9.0 ft. (2.74 m)															
	32 ft. (9.75 m)	6.0 ft. (1.83 m)	6.4 ft. (1.95 m)	6.8 ft. (2.07 m)	7.5 ft. (2.29 m)	8.6 ft. (2.62 m)	10.0 ft. (3.04 m)														
	36 ft. (11.0 m)	6.0 ft. (1.83 m)	6.4 ft. (1.95 m)	6.8 ft. (2.07 m)	7.4 ft. (2.26 m)	8.3 ft. (2.53 m)	9.6 ft. (2.93 m)														
	40 ft. (12.2 m)	6.0 ft. (1.83 m)	6.4 ft. (1.95 m)	6.7 ft. (2.04 m)	7.2 ft. (2.19 m)	8.1 ft. (2.47 m)	9.2 ft. (2.80 m)														
			(FC)																		



User Weight: 130 - 310 lb. (59 - 140 kg)		B									
		0 ft. (0 m)	3 ft. (0.9 m)	6 ft. (1.83 m)	9 ft. (2.74 m)	12 ft. (3.66 m)	15 ft. (4.57 m)	18 ft. (5.49 m)	21 ft. (6.40 m)	24 ft. (7.32 m)	27 ft. (8.23 m)
A	44 ft. (13.4 m)	6.0 ft. (1.83 m)	6.3 ft. (1.92 m)	6.7 ft. (2.04 m)	7.1 ft. (2.16 m)	7.9 ft. (2.41 m)	8.9 ft. (2.71 m)	10.1 ft. (3.08 m)			
	48 ft. (14.6 m)	6.0 ft. (1.83 m)	6.3 ft. (1.92 m)	6.6 ft. (2.01 m)	7.0 ft. (2.13 m)	7.7 ft. (2.35 m)	8.6 ft. (2.62 m)	9.7 ft. (2.96 m)			
	52 ft. (15.8 m)	6.0 ft. (1.83 m)	6.3 ft. (1.92 m)	6.6 ft. (2.01 m)	6.9 ft. (2.10 m)	7.5 ft. (2.29 m)	8.3 ft. (2.53 m)	9.3 ft. (2.83 m)			
	56 ft. (17.1 m)	6.0 ft. (1.83 m)	6.3 ft. (1.92 m)	6.6 ft. (2.01 m)	6.9 ft. (2.10 m)	7.4 ft. (2.26 m)	8.2 ft. (2.50 m)	9.1 ft. (2.77 m)			
	60 ft. (18.3 m)	6.0 ft. (1.83 m)	6.3 ft. (1.92 m)	6.6 ft. (2.01 m)	6.9 ft. (2.10 m)	7.4 ft. (2.26 m)	8.0 ft. (2.44 m)	8.9 ft. (2.71 m)	9.9 ft. (3.02 m)		
	64 ft. (19.5 m)	6.0 ft. (1.83 m)	6.3 ft. (1.92 m)	6.6 ft. (2.01 m)	6.8 ft. (2.07 m)	7.3 ft. (2.23 m)	7.9 ft. (2.41 m)	8.8 ft. (2.68 m)	9.7 ft. (2.96 m)		
	68 ft. (20.7 m)	6.0 ft. (1.83 m)	6.3 ft. (1.92 m)	6.5 ft. (1.98 m)	6.8 ft. (2.07 m)	7.2 ft. (2.19 m)	7.8 ft. (2.38 m)	8.6 ft. (2.62 m)	9.5 ft. (2.90 m)		
	72 ft. (21.9 m)	6.0 ft. (1.83 m)	6.3 ft. (1.92 m)	6.5 ft. (1.98 m)	6.8 ft. (2.07 m)	7.1 ft. (2.16 m)	7.7 ft. (2.35 m)	8.4 ft. (2.56 m)	9.2 ft. (2.80 m)		
	76 ft. (23.2 m)	6.0 ft. (1.83 m)	6.3 ft. (1.92 m)	6.5 ft. (1.98 m)	6.8 ft. (2.07 m)	7.0 ft. (2.13 m)	7.6 ft. (2.32 m)	8.3 ft. (2.53 m)	9.1 ft. (2.77 m)	10.0 ft. (3.04 m)	
	80 ft. (24.4 m)	6.0 ft. (1.83 m)	6.2 ft. (1.89 m)	6.5 ft. (1.98 m)	6.7 ft. (2.04 m)	7.0 ft. (2.13 m)	7.5 ft. (2.29 m)	8.2 ft. (2.50 m)	8.9 ft. (2.71 m)	9.8 ft. (2.99 m)	
	84 ft. (25.6 m)	6.0 ft. (1.83 m)	6.2 ft. (1.89 m)	6.5 ft. (1.98 m)	6.7 ft. (2.04 m)	7.0 ft. (2.13 m)	7.5 ft. (2.29 m)	8.1 ft. (2.47 m)	8.8 ft. (2.68 m)	9.6 ft. (2.93 m)	
	88 ft. (26.8 m)	6.0 ft. (1.83 m)	6.2 ft. (1.89 m)	6.5 ft. (1.98 m)	6.7 ft. (2.04 m)	6.9 ft. (2.10 m)	7.4 ft. (2.26 m)	8.0 ft. (2.44 m)	8.7 ft. (2.65 m)	9.5 ft. (2.90 m)	
	92 ft. (28.0 m)	6.0 ft. (1.83 m)	6.2 ft. (1.89 m)	6.4 ft. (1.95 m)	6.7 ft. (2.04 m)	6.9 ft. (2.10 m)	7.3 ft. (2.23 m)	7.8 ft. (2.38 m)	8.4 ft. (2.56 m)	9.1 ft. (2.77 m)	9.9 ft. (3.02 m)
	96 ft. (29.3 m)	6.0 ft. (1.83 m)	6.2 ft. (1.89 m)	6.4 ft. (1.95 m)	6.7 ft. (2.04 m)	6.9 ft. (2.10 m)	7.2 ft. (2.19 m)	7.7 ft. (2.35 m)	8.2 ft. (2.50 m)	8.9 ft. (2.71 m)	9.7 ft. (2.96 m)
	100 ft. (30.5 m)	6.0 ft. (1.83 m)	6.2 ft. (1.89 m)	6.4 ft. (1.95 m)	6.6 ft. (2.01 m)	6.8 ft. (2.07 m)	7.1 ft. (2.16 m)	7.6 ft. (2.32 m)	8.2 ft. (2.50 m)	8.8 ft. (2.68 m)	9.6 ft. (2.93 m)

FC



User Weight: 311 - 420 lb. (141 - 190 kg)	(B)									
	0 ft. (0 m)	3 ft. (0.9 m)	6 ft. (1.83 m)	9 ft. (2.74 m)	12 ft. (3.66 m)	15 ft. (4.57 m)	18 ft. (5.49 m)	21 ft. (6.40 m)	24 ft. (7.32 m)	27 ft. (8.23 m)
(A) <8 ft. (2.40 m)										
8 ft. (2.40 m)	7.0 ft. (2.1 m)	8.4 ft. (2.56 m)	10.9 ft. (3.32 m)							
12 ft. (3.66 m)	7.0 ft. (2.1 m)	7.8 ft. (2.38 m)	9.4 ft. (2.86 m)							
16 ft. (4.88 m)	7.0 ft. (2.1 m)	7.7 ft. (2.35 m)	8.7 ft. (2.65 m)							
20 ft. (6.10 m)	7.0 ft. (2.1 m)	7.5 ft. (2.29 m)	8.2 ft. (2.50 m)	9.6 ft. (2.93 m)						
24 ft. (7.32 m)	7.0 ft. (2.1 m)	7.5 ft. (2.29 m)	8.0 ft. (2.44 m)	9.1 ft. (2.77 m)	10.6 ft. (3.23 m)					
28 ft. (8.53 m)	7.0 ft. (2.1 m)	7.4 ft. (2.26 m)	7.9 ft. (2.41 m)	8.8 ft. (2.68 m)	10.0 ft. (3.04 m)					
32 ft. (9.75 m)	7.0 ft. (2.1 m)	7.4 ft. (2.26 m)	7.8 ft. (2.38 m)	8.5 ft. (2.59 m)	9.6 ft. (2.93 m)	11.0 ft. (3.35 m)				
36 ft. (11.0 m)	7.0 ft. (2.1 m)	7.4 ft. (2.26 m)	7.8 ft. (2.38 m)	8.4 ft. (2.56 m)	9.3 ft. (2.83 m)	10.6 ft. (3.23 m)				
40 ft. (12.2 m)	7.0 ft. (2.1 m)	7.4 ft. (2.26 m)	7.7 ft. (2.35 m)	8.2 ft. (2.50 m)	9.1 ft. (2.77 m)	10.2 ft. (3.10 m)				
44 ft. (13.4 m)	7.0 ft. (2.1 m)	7.3 ft. (2.22 m)	7.7 ft. (2.35 m)	8.1 ft. (2.47 m)	8.9 ft. (2.71 m)	9.9 ft. (3.02 m)	11.1 ft. (3.38 m)			
48 ft. (14.6 m)	7.0 ft. (2.1 m)	7.3 ft. (2.22 m)	7.6 ft. (2.32 m)	8.0 ft. (2.44 m)	8.7 ft. (2.65 m)	9.6 ft. (2.93 m)	10.7 ft. (3.26 m)			
52 ft. (15.8 m)	7.0 ft. (2.1 m)	7.3 ft. (2.22 m)	7.6 ft. (2.32 m)	7.9 ft. (2.41 m)	8.5 ft. (2.59 m)	9.3 ft. (2.83 m)	10.3 ft. (3.14 m)			
56 ft. (17.1 m)	7.0 ft. (2.1 m)	7.3 ft. (2.22 m)	7.6 ft. (2.32 m)	7.9 ft. (2.41 m)	8.4 ft. (2.56 m)	9.2 ft. (2.80 m)	10.1 ft. (3.07 m)			
60 ft. (18.3 m)	7.0 ft. (2.1 m)	7.3 ft. (2.22 m)	7.6 ft. (2.32 m)	7.9 ft. (2.41 m)	8.4 ft. (2.56 m)	9.0 ft. (2.74 m)	9.9 ft. (3.02 m)	10.9 ft. (3.32 m)		
64 ft. (19.5 m)	7.0 ft. (2.1 m)	7.3 ft. (2.22 m)	7.6 ft. (2.32 m)	7.8 ft. (2.38 m)	8.3 ft. (2.53 m)	8.9 ft. (2.71 m)	9.8 ft. (2.99 m)	10.7 ft. (3.26 m)		
68 ft. (20.7 m)	7.0 ft. (2.1 m)	7.3 ft. (2.22 m)	7.5 ft. (2.29 m)	7.8 ft. (2.38 m)	8.2 ft. (2.50 m)	8.8 ft. (2.68 m)	9.6 ft. (2.93 m)	10.5 ft. (3.20 m)		
72 ft. (21.9 m)	7.0 ft. (2.1 m)	7.3 ft. (2.22 m)	7.5 ft. (2.29 m)	7.8 ft. (2.38 m)	8.1 ft. (2.47 m)	8.7 ft. (2.65 m)	9.4 ft. (2.86 m)	10.2 ft. (3.10 m)		
76 ft. (23.2 m)	7.0 ft. (2.1 m)	7.3 ft. (2.22 m)	7.5 ft. (2.29 m)	7.8 ft. (2.38 m)	8.0 ft. (2.44 m)	8.6 ft. (2.62 m)	9.3 ft. (2.83 m)	10.1 ft. (3.07 m)	11.0 ft. (3.35 m)	
80 ft. (24.4 m)	7.0 ft. (2.1 m)	7.2 ft. (2.19 m)	7.5 ft. (2.29 m)	7.7 ft. (2.35 m)	8.0 ft. (2.44 m)	8.5 ft. (2.59 m)	9.2 ft. (2.80 m)	9.9 ft. (3.02 m)	10.8 ft. (3.29 m)	
84 ft. (25.6 m)	7.0 ft. (2.1 m)	7.2 ft. (2.19 m)	7.5 ft. (2.29 m)	7.7 ft. (2.35 m)	8.0 ft. (2.44 m)	8.5 ft. (2.59 m)	9.1 ft. (2.77 m)	9.8 ft. (2.99 m)	10.6 ft. (3.23 m)	
88 ft. (26.8 m)	7.0 ft. (2.1 m)	7.2 ft. (2.19 m)	7.5 ft. (2.29 m)	7.7 ft. (2.35 m)	7.9 ft. (2.41 m)	8.4 ft. (2.56 m)	9.0 ft. (2.74 m)	9.7 ft. (2.95 m)	10.5 ft. (3.20 m)	
92 ft. (28.0 m)	7.0 ft. (2.1 m)	7.2 ft. (2.19 m)	7.4 ft. (2.26 m)	7.7 ft. (2.35 m)	7.9 ft. (2.41 m)	8.3 ft. (2.53 m)	8.8 ft. (2.68 m)	9.4 ft. (2.86 m)	10.1 ft. (3.07 m)	10.9 ft. (3.32 m)
96 ft. (29.3 m)	7.0 ft. (2.1 m)	7.2 ft. (2.19 m)	7.4 ft. (2.26 m)	7.7 ft. (2.35 m)	7.9 ft. (2.41 m)	8.2 ft. (2.50 m)	8.7 ft. (2.65 m)	9.2 ft. (2.80 m)	9.9 ft. (3.02 m)	10.7 ft. (3.26 m)
100 ft. (30.5 m)	7.0 ft. (2.1 m)	7.2 ft. (2.19 m)	7.4 ft. (2.26 m)	7.6 ft. (2.32 m)	7.8 ft. (2.38 m)	8.1 ft. (2.47 m)	8.6 ft. (2.62 m)	9.2 ft. (2.80 m)	9.9 ft. (3.02 m)	10.6 ft. (3.23 m)

(FC)

3.4 FALL CLEARANCE FOR LEADING EDGE: The SRD models covered by this instruction include models made for use with leading edges. Self-Retracting Devices with Leading Edge capabilities (SRD-LEs) must be used in applications where the SRD or its lifeline may come into contact with the leading edge. Do not use any other SRD type in these applications.

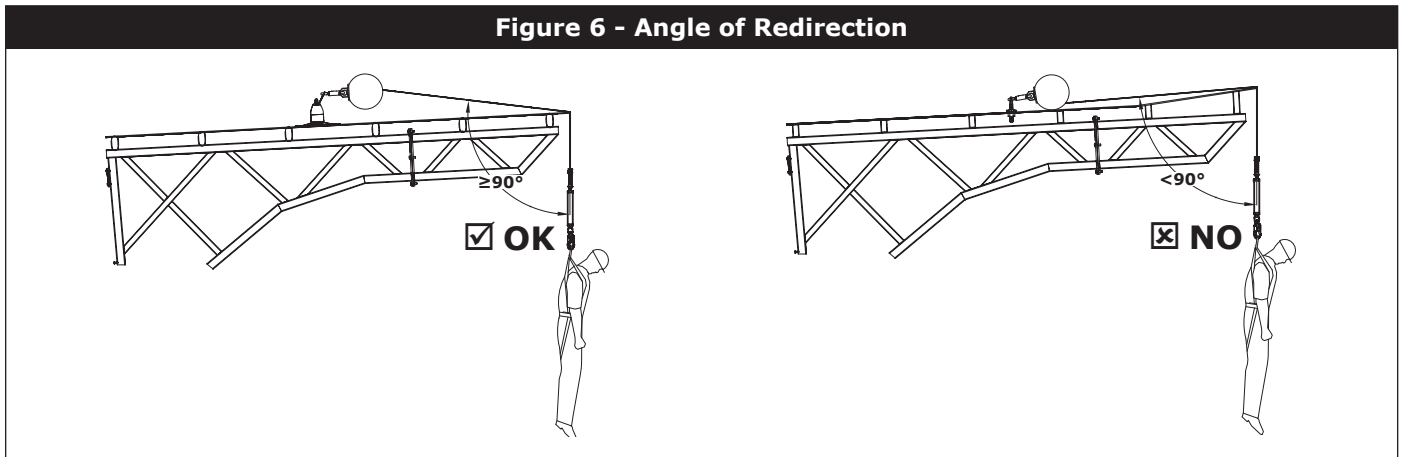
A. PRECAUTIONS: SRD-LEs have a number of unique precautions that must be observed during use. When planning use of an SRD-LE, consider all requirements for SRD-LEs specified in these instructions.

- Users must observe the capacity requirements specified for SRD-LE models in Table 1.
- The SRD-LE must be installed so that, in the event of a fall, the lifeline does not pass over the leading edge at an angle less than 90 degrees. See Figure 6 for reference.
- Install the anchorage point at the same height of or above the edge where a fall might occur. Anchorage points below the edge are dangerous because they cause the lifeline to redirect at an angle less than 90 degrees. See Figure 6 for reference.
- Use of this device in an orientation such that the constituent line may contact a sharp, jagged, or abrasive structural edge is inherently dangerous, and such use should be a last resort.
- Do not work on the far side of an opening opposite the anchorage point.
- Use of SRD-LEs may require special rescue procedures.
- Never use a D-ring extension with SRD-LEs in leading edge applications.

B. SHARP EDGE TESTS: The SRD-LE models covered in this instruction have been successfully tested for horizontal use and for falls over a steel edge without burrs. As a result, these SRD-LE models may be used in similar situations. All requirements for use of these models must be observed, including required setback distances. Although SRD-LEs are more resistant than SRDs, the user should still, when possible, avoid working where the lifeline will continuously or repeatedly scrape against sharp edges and abrasive surfaces.

C. FALL CLEARANCE REQUIREMENTS: SRD-LE models have their own fall clearance requirements that must be observed. The SRD-LE fall clearance charts must be used for leading edge applications instead of the standard fall clearance charts. Use of the SRD-LE fall clearance charts is not a replacement for use of an SRD-LE.

Figure 6 - Angle of Redirection



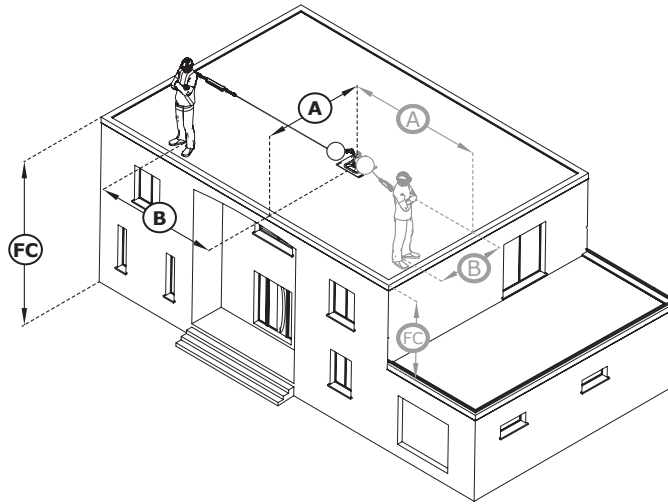
FALL CLEARANCE CHARTS - LEADING EDGE DEVICES (SRD-LE)

Required Fall Clearance has been provided within the charts below. To determine Required Fall Clearance:

1. Select the clearance chart that matches your product type and includes a capacity fitting your combined weight.
2. Determine the Setback Distance (A) of your subsystem. Setback Distance is measured from your anchorage connection point to the edge of the working platform.
3. Determine the Horizontal Distance (B) of your subsystem. Horizontal Distance is measured from the point on the edge directly opposite your anchorage connection point to the point on the edge that equals the furthest extent of your work area.
4. After obtaining your Setback Distance (A) and Horizontal Distance (B), use (A) and (B) within the Fall Clearance Chart to determine your Required Fall Clearance (FC).

When values for (A) and (B) measured by the user do not match those listed in the table, the user should round up to the next highest listed value. If there is no higher listed value, then the user should reduce their intended Anchorage Height or Setback Distance to a lower value.

To determine the fullest extent of the user's work radius, it may be necessary to repeat these steps for each leading edge the user will be near.



User Weight: 130 - 310 lb. (59 - 140 kg)		(B)								
		0 ft (0.00m)	2 ft (0.61m)	5 ft (1.52m)	10 ft (3.05m)	15 ft (4.57m)	20 ft (6.1m)	25 ft (7.62m)	>25 ft (>7.62m)	
(A)	2 ft (0.61m)	18.1 ft (5.51m)	18.9 ft (5.76m)							
	5 ft (1.52m)	18.1 ft (5.51m)	18.5 ft (5.63m)	20.2 ft (6.15m)						
	10 ft (3.05m)	18.1 ft (5.51m)	18.3 ft (5.57m)	19.3 ft (5.88m)	22.2 ft (6.76m)					
	15 ft (4.57m)	18.1 ft (5.51m)	18.2 ft (5.54m)	18.9 ft (5.76m)	21.1 ft (6.43m)	24.3 ft (7.40m)				
	20 ft (6.1m)	18.1 ft (5.51m)	18.2 ft (5.54m)	18.7 ft (5.69m)	20.5 ft (6.24m)	23.1 ft (7.04m)	26.4 ft (8.04m)			
	25 ft (7.62m)	18.1 ft (5.51m)	18.2 ft (5.54m)	18.6 ft (5.66m)	20.0 ft (6.09m)	22.3 ft (6.79m)	25.1 ft (7.65m)			
	30 ft (9.14m)	18.1 ft (5.51m)	18.2 ft (5.54m)	18.5 ft (5.63m)	19.7 ft (6.00m)	21.6 ft (6.58m)	24.2 ft (7.37m)			
	35 ft (10.67m)	18.1 ft (5.51m)	18.2 ft (5.54m)	18.5 ft (5.63m)	19.5 ft (5.94m)	21.2 ft (6.46m)	23.4 ft (7.13m)			
	40 ft (12.19m)	18.1 ft (5.51m)	18.1 ft (5.51m)	18.4 ft (5.60m)	19.3 ft (5.88m)	20.8 ft (6.33m)	22.8 ft (6.94m)			
	50 ft (15.24m)	18.1 ft (5.51m)	18.1 ft (5.51m)	18.3 ft (5.57m)	19.1 ft (5.82m)	20.3 ft (6.18m)	22.0 ft (6.70m)			
	55 ft (16.76m)	18.1 ft (5.51m)	18.1 ft (5.51m)	18.3 ft (5.57m)	19.0 ft (5.79m)	20.1 ft (6.12m)	21.6 ft (6.58m)			
	60 ft (18.29m)	18.1 ft (5.51m)	18.1 ft (5.51m)	18.3 ft (5.57m)	18.9 ft (5.76m)	19.9 ft (6.06m)	21.3 ft (6.49m)			
	60 ft (18.29m)	18.1 ft (5.51m)	18.1 ft (5.51m)	18.3 ft (5.57m)	18.9 ft (5.76m)	19.8 ft (6.03m)	21.1 ft (6.43m)			
	70 ft (21.34m)	18.1 ft (5.51m)	18.1 ft (5.51m)	18.3 ft (5.57m)	18.8 ft (5.73m)	19.7 ft (6.00m)	20.9 ft (6.36m)			

(FC)

3.5 CONNECTING TO ANCHORAGE: Figure 7 illustrates typical SRD anchorage connections. The Anchorage (A) should be directly overhead to minimize free fall and swing fall hazards (see Section 3.3.B). Select an anchorage capable of sustaining the static loads defined in Table 1. Depending on system and product configuration, the user may secure the Top Connector (B) of the SRD directly to the anchorage structure or to an anchorage connector or anchorage connection point between.

3.6 CONNECTING TO A HARNESS: Connection of the SRD to a harness will vary per the harness and which attachment element is used. See Figure 8 for reference. To secure, connect the Bottom Connector (A) of the SRD to the Attachment Element (B) of the full body harness. For more information as to which attachment elements may be used, see the manufacturer instructions of your harness.

The "Product Overview" specifies for which Fall Protection applications your SRD model may be used. Ensure use of your harness complies with these requirements. A full body harness is required for Fall Arrest applications.

3.7 TRIPOD MOUNTING: Figure 13 illustrates installation of an SRD-R model on a Protecta Tripod. The SRD-R is mounted on one leg of the tripod and the lifeline is routed through a pulley system on the head of the tripod. See the manufacturer instructions for your tripod and mounting bracket for more information.

3.8 MODULAR SRL-LE: SRL Model 3590298 is a LE SRL that contains a modular connector between the energy absorber and Cable Lifeline. The Modular Connector (I) can be seen in Figure 2.4. The modular connectors allow the energy absorber to be separated from the SRL. The modular connector eliminates the need to use a separate D-ring extension between the Full Body Harness Dorsal D-Ring and the SRL snaphook. The energy absorber can remain on the user's back and the user can detach the SRL lifeline using the modular connector. If the unit is subjected to a fall arrest, the full unit (3590298) must be removed from service immediately, marked as "UNUSABLE," and inspected and serviced as instructed in Section 5 and 6.

ASSEMBLING THE MODULAR COMPONENTS: (See Figure 14)

STEP 1: Orient the energy absorber female connector and the lifeline male connector. Only use energy absorber model 1340151 with SRL-LE models with modular connectors. Energy absorber model 1340151 is approved for use only with the Protecta SRD-LE modular models specified in this user instruction. Do not use with other SRDs.

STEP 2: Press the female connector locks (C) on each side of the connector to unlock the device. Insert the male connector and slide to the bottom of the female connector. Release both locks to capture the male connector. The female connector locks must return to their fully extended position.

STEP 3: Pull the energy absorber and lifeline in opposite directions to fully seat the male connector. The male connector must be securely locked in the position shown.

4.0 USE

4.1 BEFORE EACH USE: Verify that your work area and Fall Protection system meet all criteria defined in these instructions. Verify that a formal Rescue Plan is in place. Inspect the product per the "User" inspection points defined in the "Inspection and Maintenance Log". If inspection reveals an unsafe or defective condition, or if there is any doubt about its condition for safe use, remove the product from service immediately. Clearly tag the product "DO NOT USE". See Section 5 for more information.

4.2 AFTER A FALL: If this equipment is subjected to fall arrest or impact force, remove it from service immediately. Clearly tag it "DO NOT USE". See Section 5 for more information.

4.3 OPERATION: Before using an SRD, the worker will need to secure the SRD to an anchorage connection point and an attachment element on their full body harness. Once secured, the worker may move within the established safe working area at normal speeds. During use, always allow the SRD lifeline to recoil back into the device under control.

4.4 TAGLINES: Depending on the worksite and system configuration, the user may not always be able to reach the SRD at its anchor point. In these situations, a tagline may be necessary. A tagline is a long piece of cord that loops through the bottom connector of the SRD before looping back in on itself. When connected in this way, the user can raise or lower the bottom connector of the SRD to their location by pulling on the tagline.

Ensure the free end of the tagline does not become entangled with other workers, equipment, or machinery. If necessary, restrain the free end of the tagline.

4.5 RETRIEVAL OPERATION: The Retrieval Crank of an SRD-R may be used to raise or lower a suspended worker. To use the Retrieval Crank, you must first engage Retrieval mode, then rotate the Crank. See Figure 12 for reference. To activate Retrieval mode and use the Retrieval Crank:

1. Pull out the Crank Handle to release the Retrieval Crank.
2. Flip the Crank Handle out from the SRD body into its engaged position.
3. Pull and hold the shift knob in the unlocked position.
4. Push the Crank Arm in and release the shift knob to engage Retrieval mode. If needed, rotate the Crank Arm clockwise to help engage the gear.
5. Turn the Retrieval Crank to either raise or lower the suspended worker.
 - A. To raise: Turn the Retrieval Crank counterclockwise.
 - B. To lower: First, turn the Retrieval Crank counterclockwise to release the fall arrest brake. Then, turn the Retrieval

Crank clockwise to lower.

Do not attempt to operate Retrieval mode when the lifeline is fully retracted. Stop turning the crank as soon as the lifeline is fully retracted or extended.

The Rescue Crank is for Rescue applications only. Do not use for any other purpose.

3M SRD-Rs do not incorporate an overload clutch to limit forces exerted on the drive components and attached person. Avoid line slack while in Retrieval mode. If the attached worker becomes entangled on an obstruction during retrieval, ensure that the worker is not subjected to excessive force from continued lifting.

A minimum load of 75 lb. (33.9 kg) is required to lower or pay out the Lifeline. A force of 30 lb. (0.13 kN) is required to operate the Retrieval system when loaded to capacity.

4.6 RETRIEVAL DISENGAGEMENT: The SRD-R should always be disengaged from Retrieval mode after use. To disengage Retrieval mode:

When Retrieval mode is disengaged, the lifeline should fully retract into the SRD housing. To avoid possible injury, either maintain control of the lifeline or retract the lifeline before disengaging.

1. Remove any load from the lifeline.
2. Pull and hold the shift knob in the unlocked position.
3. Pull the Crank Arm out to disengage, then release the shift knob.
4. Pull out and rotate the Crank Handle down toward the SRD body into its stowed position.

4.7 USE WITH HORIZONTAL SYSTEMS: The SRDs covered in this instruction are compatible for use with horizontal systems, such as Horizontal Lifeline (HLL) systems and horizontal rail systems. See the manufacturer instructions of your horizontal system for more information on its compatibility with SRDs. SRDs may be used with a horizontal system only if both products allow for such use.

Required Fall Clearance values presented in these instructions are based on use with a rigid, stationary anchorage point. These values do not apply when the product is used with a Horizontal Lifeline (HLL) system. See the manufacturer instructions of your HLL system for fall clearance charts specific to that system, or for additional factors that must be accounted for before using the charts in these instructions.

5.0 INSPECTION

After equipment has been removed from service, it may not be returned to service until a Competent Person confirms in writing that it is acceptable to do so.

5.1 INSPECTION FREQUENCY: The product shall be inspected before each use by a user and, additionally, by a Competent Person other than the user at intervals of no longer than one year. A higher frequency of equipment use and harsher conditions may require increasing the frequency of Competent Person inspections. The frequency of these inspections should be determined by the Competent Person per the specific conditions of the worksite.

5.2 INSPECTION PROCEDURES: Inspect this product per the procedures listed in the "Inspection and Maintenance Log". Documentation of each inspection should be maintained by the owner of this equipment. An inspection and maintenance log should be placed near the product or be otherwise easily accessible to users. It is recommended that the product is marked with the date of next or last inspection.

5.3 DEFECTS: If the product cannot be returned to service because of an existing defect or unsafe condition, then the product must be either destroyed or sent to 3M or a 3M-authorized service center for repair.

5.4 PRODUCT LIFE: The functional life of the product is determined by work conditions and maintenance. As long as the product passes inspection criteria, it may remain in service.

6.0 MAINTENANCE, SERVICE, AND STORAGE

Equipment that is in need of maintenance or scheduled for maintenance should be tagged "DO NOT USE". These equipment tags should not be removed until maintenance is performed.

6.1 CLEANING: Cleaning procedures for the Self-Retracting Device are as follows:

- Periodically clean the exterior of the SRD using water and a mild soap solution. Position the SRD so excess water can drain out. Clean labels as required.
- Clean lifeline with water and mild soap solution. Rinse and thoroughly air dry. Do not force dry with heat. An excessive buildup of dirt, paint, etc. may prevent the lifeline from fully retracting back into the housing causing a potential free fall hazard. Replace lifeline if excessive buildup is present.

6.2 SERVICE: Only 3M or parties authorized in writing by 3M may make repairs to this equipment. Do not attempt to disassemble the SRD or lubricate any parts.

6.3 STORAGE AND TRANSPORT: Store and transport the product in a cool, dry, clean environment out of direct sunlight. Avoid areas where chemical vapors may exist. Thoroughly inspect components after extended storage.

Figure 7 - Connecting to Anchorage

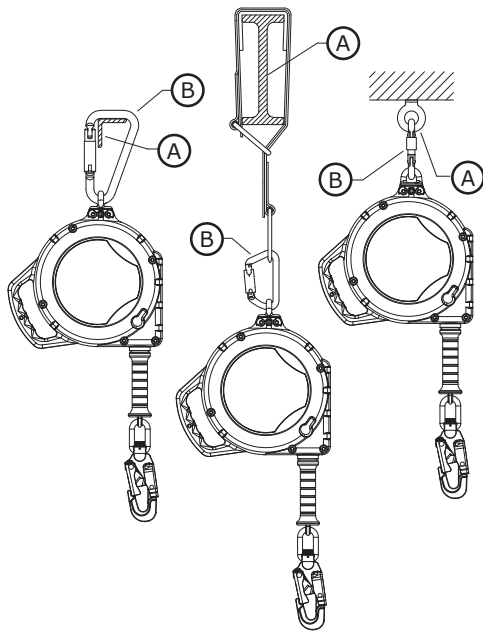


Figure 8 - Connecting to a Harness

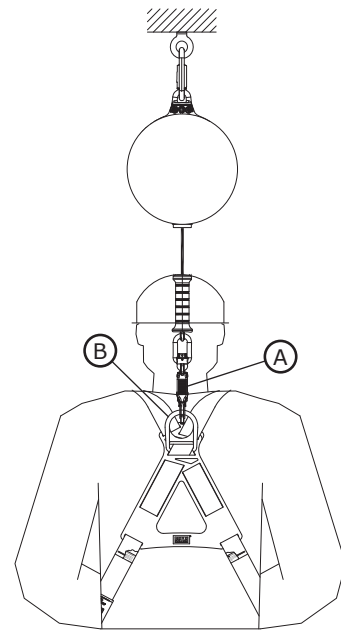


Figure 9 - SRD Inspection

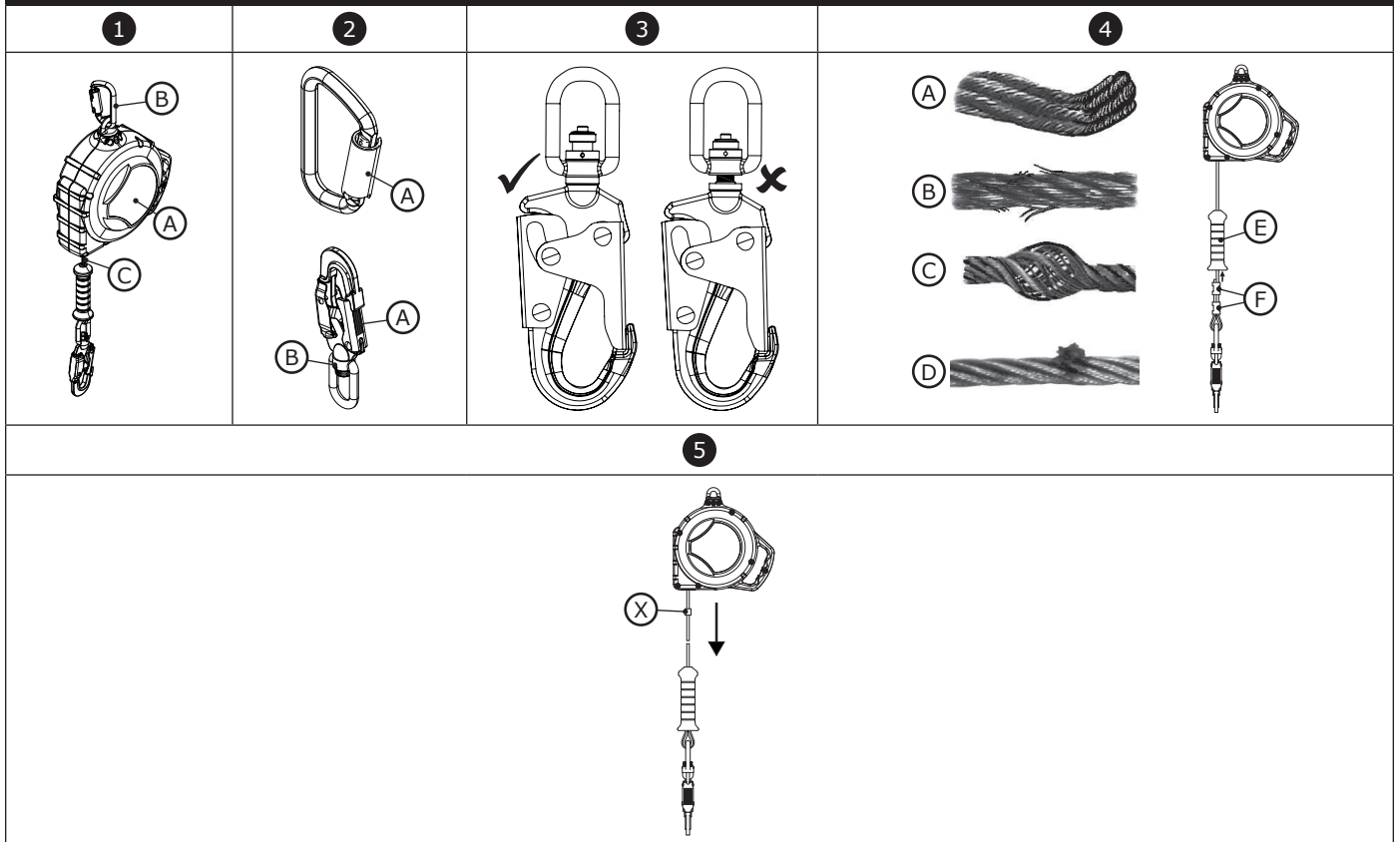


Figure 10 - SRD-LE Inspection

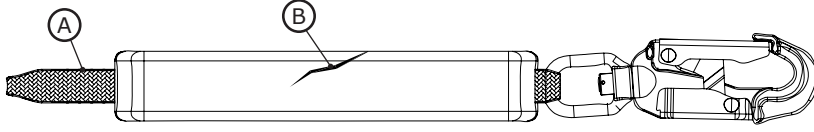


Figure 11 - SRD-R Inspection

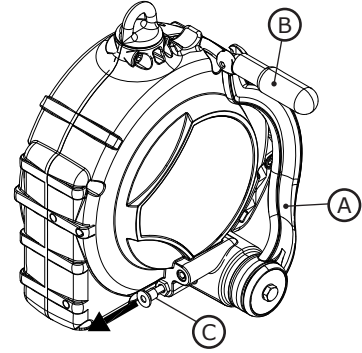


Figure 12 - Retrieval Operation

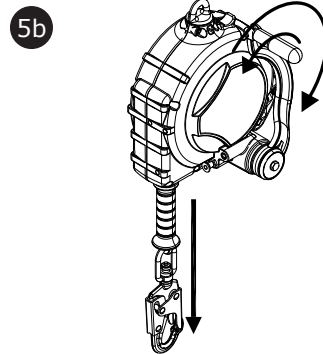
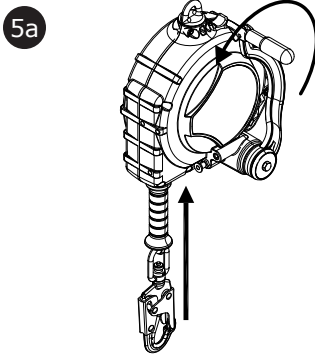
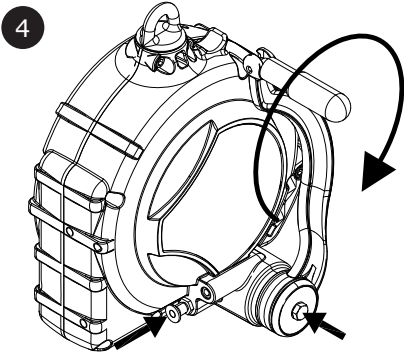
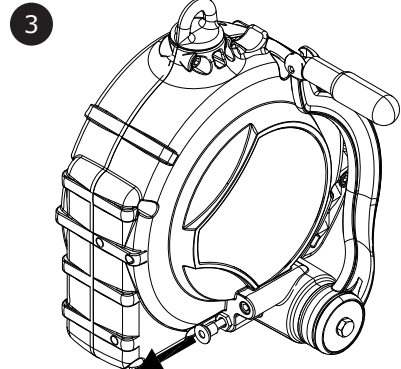
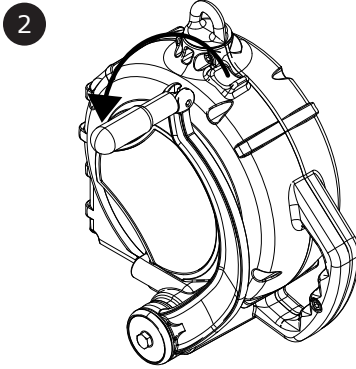
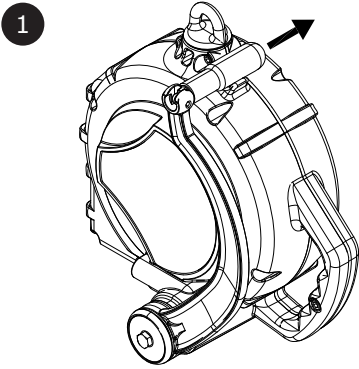


Figure 13 - Tripod Mounting

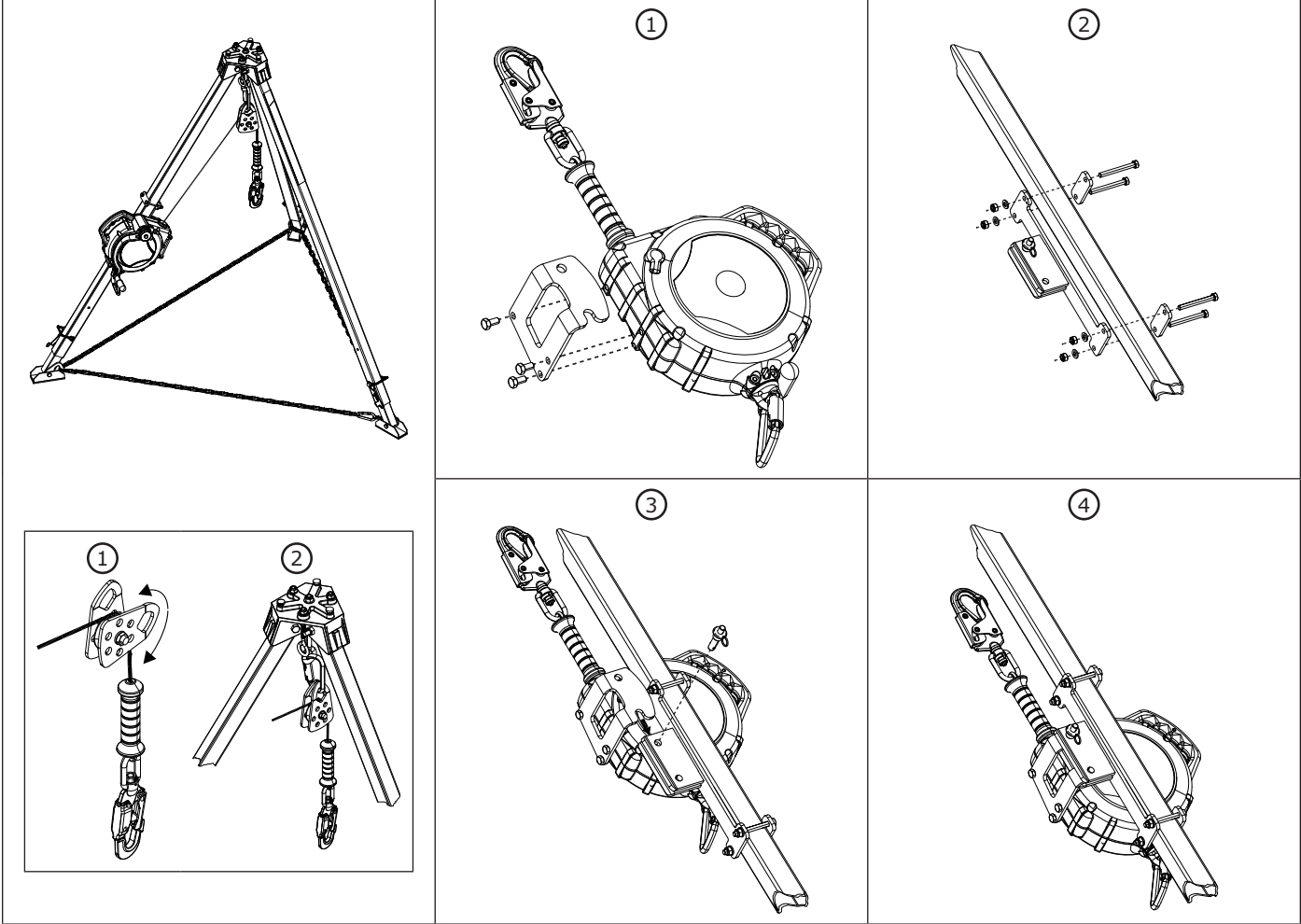
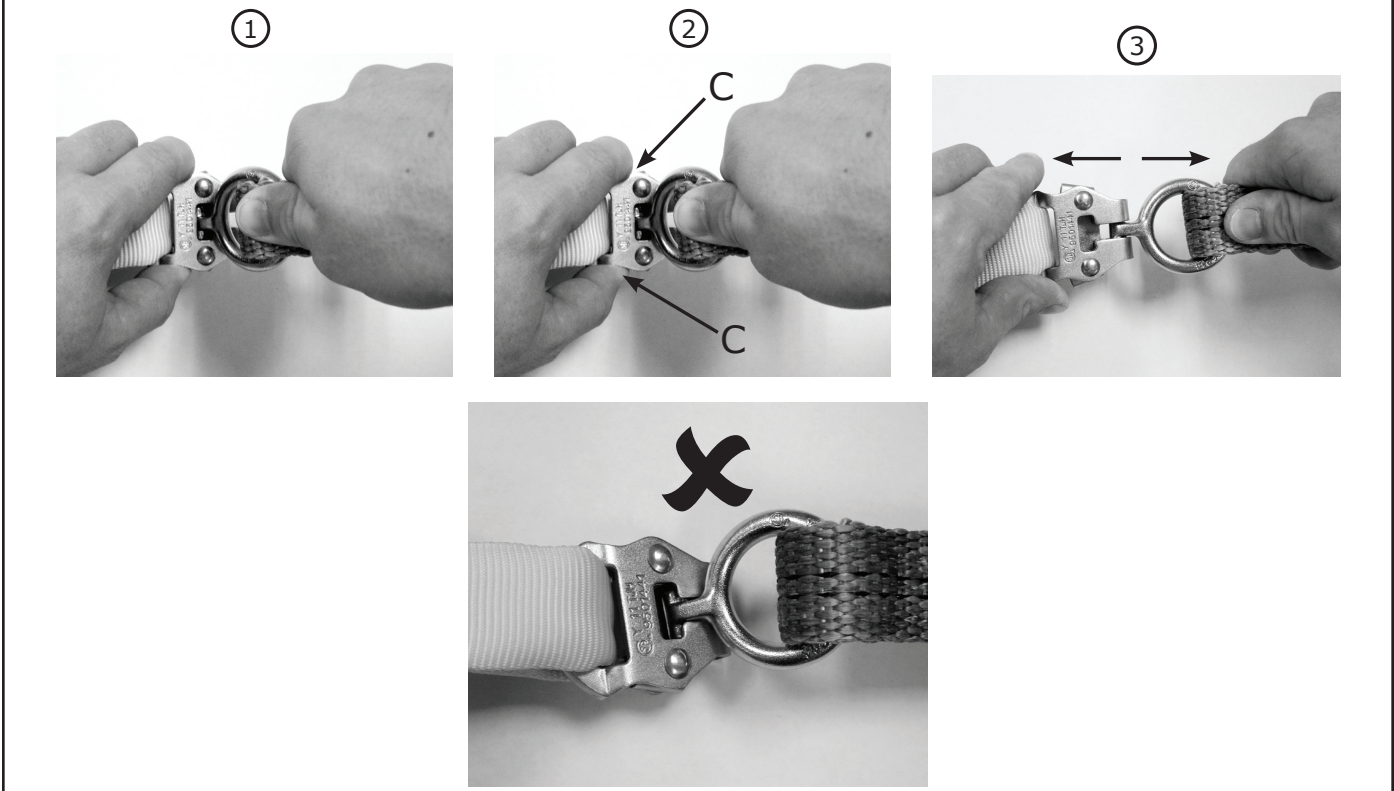


Figure 14 - Modular Connector



7.0 LABELS and MARKINGS

7.1 LABELS: Figure 15 illustrates labels present on the SRD. Labels must be replaced if they are not present or are not fully legible. Information provided on each label is as follows:

Label images are intended to be representative. Please refer to your product labels for specific information.

A	<ol style="list-style-type: none"> 1) Inspection statement 2) Exposed color band on hook indicates impact loading and device must be removed from service 3) Do not remove this label 4) Capacity 5) Max arresting force 6) Average arresting force 7) Max arresting distance 8) Impact loading 9) Manufacture date (year, month) 10) Material specification 11) Working length 12) Model number 13) Inspection log 14) Next service
B	<ol style="list-style-type: none"> 1) Fall Clearance table 2) Read instructions before use 3) Do not load over edge 4) Inspection log 5) Do not remove this label 6) Inspection statement 7) Manufacture date (year, month) 8) Material specification 9) Working length 10) Serial number 11) Overall length 12) Capacity 13) Max arresting force 14) Average arresting force 15) Max arresting distance
C	1) Modular SRD ID Label
D	1) WARNING: Use only with approved LE SRL model 3590298. See Instructions.
E	<ol style="list-style-type: none"> 1) Inspection statement 2) Read instructions before use 3) Do not load over edge 4) Capacity 5) Working length 6) Manufacture date (year, month) 7) Lot number 8) Model number 9) Serial number 10) Overall length 11) Inspection log 12) Next service 13) Impact loading 14) Do not remove this label
F	<ol style="list-style-type: none"> 1) To lower, turn clockwise. 2) To raise, turn counterclockwise.
G	Retrieval operation; see Section 4.5 for instructions.

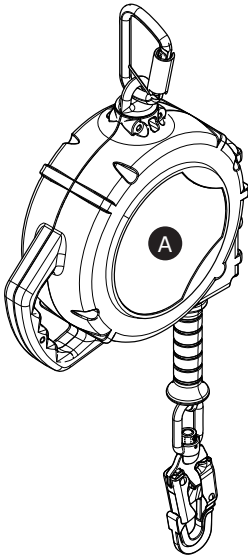
8.0 GLOSSARY OF TERMS

8.1 DEFINITIONS: The following terms and definitions are used in these instructions.

For a comprehensive list of terms and definitions, please visit our website: www.3m.com/FallProtection/ifu-glossary

- **AUTHORIZED PERSON:** A person assigned by the employer to perform duties at a location where the person will be exposed to a fall hazard.
- **COMPETENT PERSON:** One who is capable of identifying existing and predictable hazards in the surroundings or working conditions which are unsanitary, hazardous, or dangerous to employees, and who has authorization to take prompt corrective measures to eliminate them.
- **FALL ARREST SYSTEM:** A collection of Fall Protection equipment configured to protect the user in the event of a fall.
- **QUALIFIED PERSON:** A person with a recognized degree, certificate, or professional standing, or who by extensive knowledge, training, and experience has successfully demonstrated their ability to solve or resolve problems relating to Fall Protection and Rescue systems to the extent required by applicable national, regional, and local regulations.
- **RESCUER:** A person using the Rescue system to perform an assisted rescue.
- **RESTRAINT SYSTEM:** A collection of Fall Protection equipment configured to prevent the user from reaching a fall hazard. No free fall is permitted.
- **USER:** A person who performs activities while protected by a Fall Protection system.

Figure 15 - Product Labels



3M PROTECTA
3M.com/FallProtection

Lifeline: 5 mm (3/16 in) 7 x 19 galvanized cable (G) or stainless steel cable (S).

USE: Anchorage strength requirement 22kN (5000 lb). Attach SRL directly to anchorage using supplied connector, as directly above work area as possible to reduce swing fall hazard. Do not work above anchorage level. Minimum clearance required equals 6ft. Additional clearance is required for swing fall situations. See user manual for further fall clearance guidance. Full body harness required for use with this device. Avoid lifeline contact with sharp edges and abrasive surfaces. Single user only. Capacity includes clothing, tools, and equipment. For use by trained persons only. This unit is suitable for use with horizontal lifelines. See user manual for additional information including suitability for horizontal use. Contact 3M Fall Protection with any questions about the proper use of this product. SRL with Retrieval: A maximum force of 14 kg (30 lb) is required to raise/lower user. To lower a user after a fall, first raise slightly to disengage locking mechanism.

INSPECTION: Before each use, and at least annually, inspect in accordance with the User Manual including locking function (pull sharply to test), retraction, lifeline condition, function and condition of connector, housing and fasteners, legibility of labels, and any evidence of defects, damage or missing parts. Inspection by a competent person required at least annually. Remove from service if inspection reveals ruptured or torn webbing extending from the lead indicator band or exposed color band on hook. Do not use if inspection reveals an unsafe condition. Not user repairable. See User Manual.

WARNING: Read instructions before use. Manufacturer's instructions supplied with this product must be followed for proper use. Failure to follow instructions may result in serious injury or death. This device shall be removed from service when the impact indicator is deployed. Do not allow slack in line while in rescue mode.

Exposed color band on hook indicates inspect leading and device must be removed from service.

DO NOT REMOVE THIS LABEL

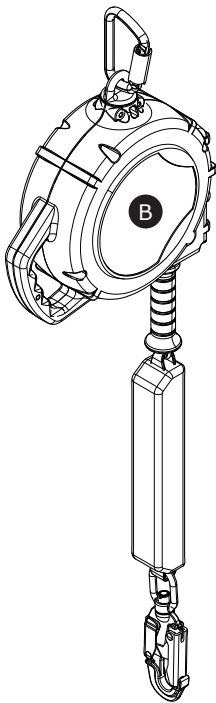
Mfr'd. (yr, mo): Lot: Model No:

Material: Working Length: Overall Length:

Capacity	ANSI Z359 Series		OSHA	
	130 lbs - 310 lbs (59 kg - 140 kg)	130 lbs - 310 lbs (59 kg - 140 kg)	130 lbs - 310 lbs (59 kg - 140 kg)	311 lbs - 420 lbs (141 kg - 191 kg)
Max arresting force	1,350 lbf (6 kN)	1,350 lbf (6 kN)	1,350 lbf (6 kN)	1,350 lbf (6 kN)
Avg arresting force	1,125 lbf (5 kN)	900 lbf (4 kN)	900 lbf (4 kN)	900 lbf (4 kN)
Max arresting distance	42 in. (1.1 m)	42 in. (1.1 m)	42 in. (1.1 m)	42 in. (1.1 m)
Max Free Fall	2 ft (0.6 m)	2 ft (0.6 m)	2 ft (0.6 m)	2 ft (0.6 m)

9520119 Rev. C

ANSI 1800
ANSI 1350



3M PROTECTA
3M.com/FallProtection

Lifeline: 6 mm (7/32 in) 7 x 19 galvanized cable (G), Nylon 6 polyester energy absorber.

USE: Anchorage strength requirement 22 kN (5000 lb). Attach SRL directly to anchorage using supplied connector or as directly above work area as possible to reduce swing fall hazard. Full body harness required for use with this device. Users over 310 lbs (141 kg) must not use this device in sharp leading edge application. Capacity includes clothing, tools, and equipment. For use by trained persons only. This unit is suitable for use with horizontal lifelines. See user manual for additional information including suitability for horizontal use. Contact 3M Fall Protection with any questions about proper use of this product.

INSPECTION: Before each use, and at least annually, inspect in accordance with the User Manual including locking function (pull sharply to test), retraction, lifeline condition, function and condition of connector, housing and fasteners, legibility of labels, and any evidence of defects, damage or missing parts. Inspection by a competent person required at least annually. Remove from service if inspection reveals ruptured or torn webbing extending from the lead indicator band or exposed color band on hook. Do not use if inspection reveals an unsafe condition. Not user repairable. See User Manual.

WARNING: Read instructions before use. Manufacturer's instructions supplied with this product must be followed for proper use. Failure to follow instructions may result in serious injury or death. This device shall be removed from service when the impact indicator is deployed.

DO NOT REMOVE THIS LABEL

Mfr'd. (yr, mo): Lot: Model No:

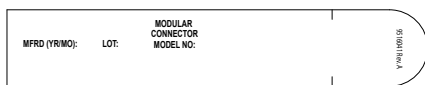
Material: Working Length: Overall Length:

Capacity	ANSI Z359 Series		OSHA	
	130 lbs - 310 lbs (59 kg - 140 kg)	130 lbs - 310 lbs (59 kg - 140 kg)	130 lbs - 310 lbs (59 kg - 140 kg)	311 lbs - 420 lbs (141 kg - 191 kg)
Max arresting force	1,800 lbf (8 kN)	1,350 lbf (6 kN)	1,800 lbf (8 kN)	1,800 lbf (8 kN)
Avg arresting force	1,350 lbf (6 kN)	900 lbf (4 kN)	N/A	N/A
Max arresting distance	42 in. (1.1 m)	42 in. (1.1 m)	42 in. (1.1 m)	42 in. (1.1 m)
Free LE	5 ft (1.5 m)	5 ft (1.5 m)	5 ft (1.5 m)	5 ft (1.5 m)

9520120 Rev. C

OSHA column 1: 20 & 33
OSHA column 2: 50 & 66

C Modular SRD 3590298 Only



D Modular SRD 3590298 Only

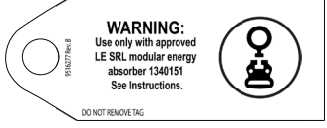
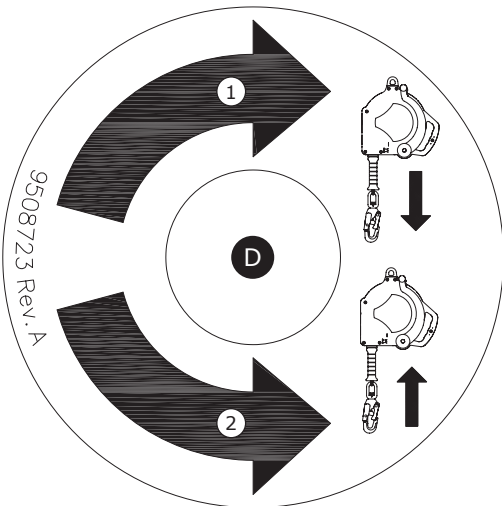
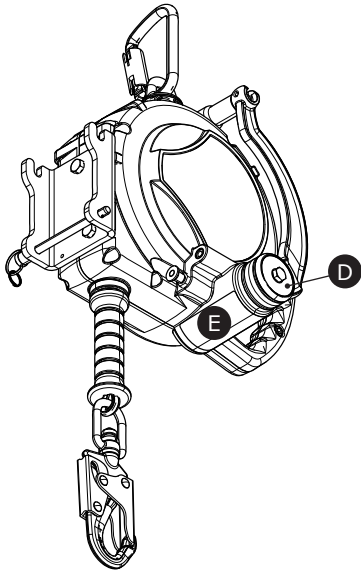
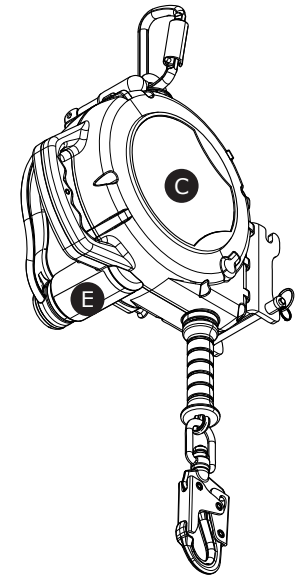


Figure 15 - Product Labels



C

3M PROTECTA
3M.com/FallProtection
Lifeline: 5 mm (3/16 in) 7 x 19 galvanized cable (G) or stainless steel cable (S)

USE: Anchorage strength requirement 22kN (5000 lb). Attach SRL directly to anchorage using supplied connector, as directly above work area as possible to reduce swing fall hazard. Do not work above anchorage level. Minimum clearance required equals 6ft. Additional clearance is required for swing fall situations. See user manual for further fall clearance guidance. Full body harness required for use with this device. Avoid lifeline contact with sharp edges and abrasive surfaces. Single user only. Capacity includes clothing, tools, and equipment. For use by trained persons only. This unit is suitable for use with horizontal lifelines. See user manual for additional information including suitability for horizontal use. Contact 3M Fall Protection with any questions about the proper use of this product.

INSPECTION: Before each use, and at least annually, inspect in accordance with the User Manual including locking function (pull sharply to test), retraction, lifeline condition, function and condition of connector, housing and fasteners, legibility of labels, and any evidence of defects, damage or missing parts. Inspection by a competent person required at least annually. In Canada this device shall be returned to the manufacturer or approved service agent no more than 2 years after the date of manufacture for inspection and maintenance, and annually thereafter. See User Manual. Do not use if inspection reveals an unsafe condition. Not user repairable.

1 **WARNING:** Read instructions before use. Manufacturer's instructions supplied with this product must be followed for proper use. Failure to follow instructions may result in serious injury or death. This device shall be removed from service when the impact indicator is deployed.

2 **3** **4** **5** **6** **7** **8** **9** **10** **11** **12** **13**

DO NOT REMOVE THIS LABEL

Capacity	ANSI Z359 Series	OSHA	OSHA
	1,800 lbf (8 kN)	1,350 lbf (6 kN)	1,350 lbf (6 kN)
Max arresting force	1,800 lbf (8 kN)	1,350 lbf (6 kN)	1,350 lbf (6 kN)
Avg arresting force	1,350 lbf (6 kN)	900 lbf (4 kN)	N/A
Max arresting clearance	42 in. (1.1 m)	42 in. (1.1 m)	42 in. (1.1 m)
Max Fract	2 ft (0.6 m)	2 ft (0.6 m)	2 ft (0.6 m)

9520121 Rev. C

Exposed color band on hook indicates impact loading and device must be removed from service.

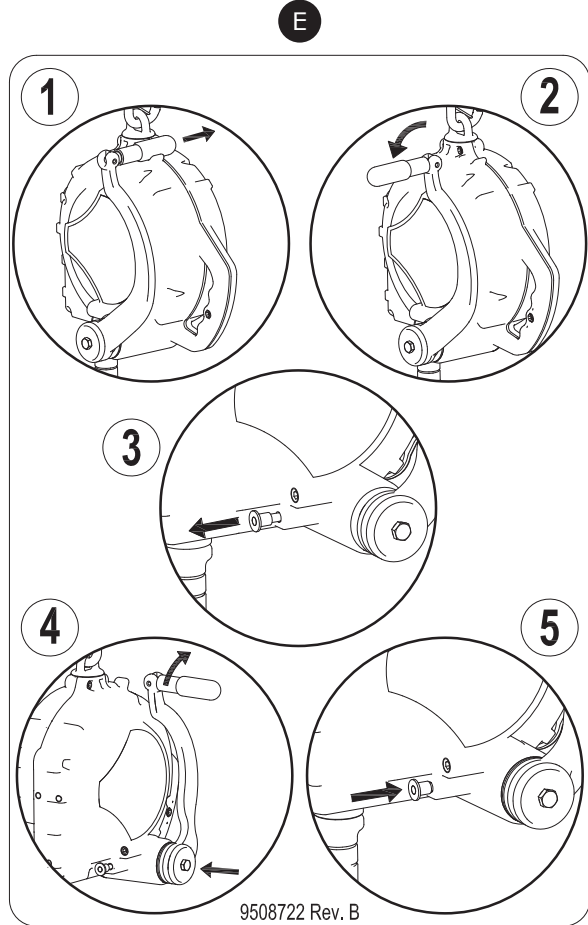


Table 2 – Inspection and Maintenance Log

Model Number (Serial Number):					
Date Purchased:			Date of First Use:		
...					
<input checked="" type="checkbox"/> <i>This product must be inspected by the user before each use. Additionally, a Competent Person other than the user must inspect this equipment at least once each year.</i>					
...					
Component	Inspection Procedure		Inspection Result		
			Pass	Fail	
SRD - General (Figure 9.1)	Inspect for loose bolts and bent or damaged parts.		<input type="checkbox"/>	<input type="checkbox"/>	
	Inspect Housing (A) for distortion, cracks, or other damage.		<input type="checkbox"/>	<input type="checkbox"/>	
	Inspect the Swivel Eye (B) for distortion, cracks, or other damage. The Swivel Eye should be attached securely to the SRD, but should pivot freely.		<input type="checkbox"/>	<input type="checkbox"/>	
	The Lifeline (C) should pull out and retract fully without hesitation or creating a slack line condition.		<input type="checkbox"/>	<input type="checkbox"/>	
	Ensure device locks up when lifeline is jerked sharply. Lockup should be positive with no slipping.		<input type="checkbox"/>	<input type="checkbox"/>	
	Look for signs of corrosion on the entire unit.		<input type="checkbox"/>	<input type="checkbox"/>	
Connectors (Figure 9.2)	Inspect all SRD connectors for signs of damage and corrosion. Verify that all connectors are working properly. Where present: Gates (A) should open, close, lock, and unlock properly; Swivel Eyes (B) should rotate without interference; and locking buttons and pins should function correctly.		<input type="checkbox"/>	<input type="checkbox"/>	
Swivel Snap Hook and Impact Indicator (Figure 9.3)	Inspect the Impact Indicator. If a red band is shown and the swivel does not turn freely, then impact loading has occurred and the SRD must be removed from service. Do not attempt to reset the Impact Indicator. Return the SRD to an authorized service center for resetting.		<input type="checkbox"/>	<input type="checkbox"/>	
Wire Rope Lifeline (Figure 9.4)	Inspect wire rope for cuts, Kinks (A), Broken Wires (B), Bird-Caging (C), welding splatter, corrosion, chemical contact areas, or Severely-Abraded Areas (D). Slide the Lifeline Bumper (E) up and inspect the Ferrules (F) for damage. Replace the wire rope assembly if there are six or more broken wires in one revolution, or three or more broken wires in one strand in one revolution. Replace the assembly if there are any broken wires within 25 mm (1 in.) of the ferrules.		<input type="checkbox"/>	<input type="checkbox"/>	
Reserve Lifeline (Figure 9.5)	Inspect the reserve lifeline payout. Pull the lifeline out of the SRD until it stops. If a Warning Label or Red Band (X) is visible, the reserve lifeline is spent and the unit must be serviced by an authorized service center before reuse.		<input type="checkbox"/>	<input type="checkbox"/>	
SRD-LE (Figure 10)	Verify that the integral energy absorber has not been activated. There should be no webbing pulled out of the Cover (A). The cover should be secure and free of Tears (B) or other damage.		<input type="checkbox"/>	<input type="checkbox"/>	
SRD-R (Figure 11)	Inspect the Crank Arm (A) for distortion or other damage. Ensure that the Retrieval Handle (B) can be folded out and secured in the cranking position.		<input type="checkbox"/>	<input type="checkbox"/>	
	Ensure the Retrieval Shift Knob (C) can be pulled out to the unlocked position and then released, locking the Crank Arm in both the engaged and disengaged positions.		<input type="checkbox"/>	<input type="checkbox"/>	
	Test the retrieval feature for proper operation by raising and lowering a test weight of at least 75 lb. (34 kg). When the Retrieval Handle is released, the weight should not move and the Retrieval Handle should remain in position. A 'click' sound should be heard when raising the load.		<input type="checkbox"/>	<input type="checkbox"/>	
Labels (Figure 15)	All labels are present and fully legible.		<input type="checkbox"/>	<input type="checkbox"/>	
Fall Protection Equipment	Additional Fall Protection equipment that is used with the product is installed and inspected per the manufacturer instructions.		<input type="checkbox"/>	<input type="checkbox"/>	
...					
<input checked="" type="checkbox"/> <i>If the product fails an inspection procedure, then the product fails overall inspection. If the product fails inspection, remove it from service immediately. Clearly tag the product "DO NOT USE". See Section 5 for more information.</i>					
...					
Inspection Type:	<input type="checkbox"/> User	<input type="checkbox"/> Competent Person	Overall Inspection Result:	<input type="checkbox"/> Pass	<input type="checkbox"/> Fail
Inspected By:			Date of Inspection:		
Signature:			Next Inspection Due:		
...					
Additional Notes:					



Fall Protection

ANSI/ASSP Z359.14-2021
(클래스 1)
(클래스 2)

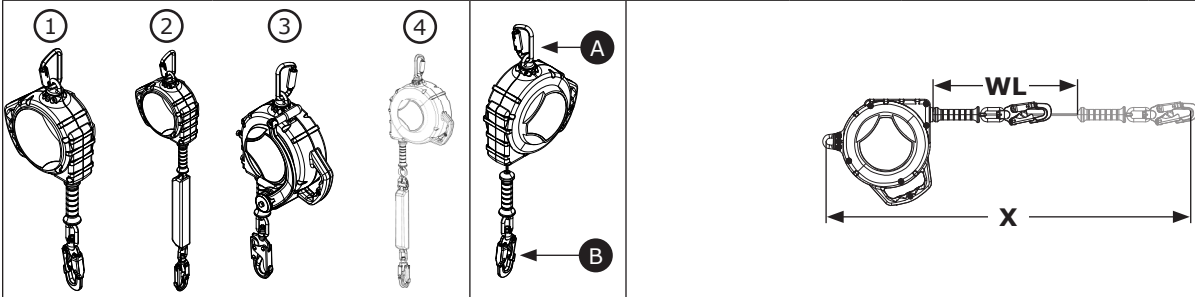
OSHA 29 CFR 1910.140
OSHA 29 CFR 1926.502

3M™ PROTECTA®
자동 감김 장치

사용자 지침
5908109 개정 A

☑ 제품 코드 식별은 표 1을 참조하십시오. 자세한 제품 정보는 "표 1 - 제품 사양"을 참조하십시오.

그림 1 - 제품 개요



모델		커넥터		하우징 크기	구멍줄	확장된 길이(X)	작업 길이(WL)
		A	B				
3590036	①	C1	C2	사이즈 A	GS2	33ft.(10m)	31.2ft.(9.5m)
3590037	①	C1	C2	사이즈 A	SS1	33ft.(10m)	31.2ft.(9.5m)
3590035	①	C1	C2	사이즈 A	SS1	20ft.(6m)	18.2ft.(5.6m)
3590034	①	C1	C2	사이즈 A	GS2	20ft.(6m)	18.2ft.(5.6m)
3590046	②	C1	C2	사이즈 B	GS1	20ft.(6m)	17.2ft.(5.3m)
3590047	②	C1	C2	사이즈 C	GS1	33ft.(10m)	30.1ft.(9.2m)
3590048	②	C1	C2	사이즈 D	GS1	50ft.(15m)	47ft.(14.3m)
3590049	②	C1	C2	사이즈 D	GS1	66ft.(20m)	63ft.(19.2m)
3590038	①	C1	C2	사이즈 E	GS2	50ft.(15m)	48.1ft.(14.7m)
3590039	①	C1	C2	사이즈 E	SS1	50ft.(15m)	48.1ft.(14.7m)
3590040	①	C1	C2	사이즈 G	GS2	66ft.(20m)	64ft.(19.5m)
3590041	①	C1	C2	사이즈 G	SS1	66ft.(20m)	64ft.(19.5m)
3590042	①	C1	C2	사이즈 G	GS2	85ft.(26m)	83ft.(25.3m)
3590043	①	C1	C2	사이즈 G	SS1	85ft.(26m)	83ft.(25.3m)
3590044	①	C1	C2	사이즈 G	GS2	100ft.(30m)	98ft.(29.9m)
3590045	①	C1	C2	사이즈 G	SS1	100ft.(30m)	98ft.(29.9m)
3590050	③	C1	C2	사이즈 F	GS2	50ft.(15m)	48.1ft.(14.7m)
3590051	③	C1	C2	사이즈 F	GS2	50ft.(15m)	48.1ft.(14.7m)
3590052	③	C1	C2	사이즈 F	GS2	50ft.(15m)	48.1ft.(14.7m)
3590053	③	C1	C2	사이즈 F	GS2	50ft.(15m)	48.1ft.(14.7m)
3590298	④	C1	C2	사이즈 H	GS1	50ft.(15m)	46.8ft.(14.3m)

안전 정보

제품을 사용하기 전에 본 지침에 포함된 모든 안전 정보를 읽고 이해하고 따르십시오. 그렇지 않으면 심각한 부상이나 사망으로 이어질 수 있습니다. 본 지침은 장비의 사용자에게 제공되어야 합니다. 나중에 참조할 수 있도록 이 지침을 보관하십시오.

용도:

이 제품은 완전 추락 보호 시스템의 일부로 사용됩니다.

자재 취급, 레크리에이션 또는 스포츠 관련 활동 또는 해당 설명서에 명시되지 않은 기타 활동을 포함하되 이에 국한되지 않는 다른 적용 분야에의 사용은 3M에 의해 승인되지 않으며 심각한 부상이나 사망으로 이어질 수 있습니다.

이 제품은 작업장 적용 분야에 대해 숙련된 사용자만 사용할 수 있습니다.



경고

이 제품은 완전 추락 보호 시스템의 일부로 사용됩니다. 모든 사용자는 완전 추락 보호 시스템의 안전한 설치 및 작동에 대해 충분한 교육을 받아야 합니다. **이 제품을 잘못 사용하면 심각한 부상이나 사망에 이를 수 있습니다.** 적절한 선택, 작동, 설치, 유지 보수 및 서비스에 대해서는 모든 사용 설명서 및 제조업체 권장 사항을 참조하십시오. 자세한 내용은 감독자 또는 3M 기술 서비스에 문의하십시오.

• **작동 감지 장치를 착용하여 작업하는 것과 관련하여 심각한 부상이나 사망을 초래할 수 있는 위험을 줄이려면 다음을 따르십시오.**

- 이 지침에 지정된 절차에 따라 사용 전과 추락 사고 후 항상 제품을 검사하십시오.
- 검사 결과 안전하지 않거나 결함이 있는 상태가 드러날 경우 제품을 즉시 사용 중단하고 ‘사용 금지’라는 라벨을 부착하십시오. 설명서를 따라 제품을 파기하거나 수리하십시오.
- 추락 방지 또는 충격을 받은 제품은 즉시 사용 중단합니다. 설명서를 따라 제품을 파기하거나 수리하십시오.
- 다른 제조업체가 만든 구성 요소로 조립된 추락 보호 시스템의 호환성을 확인하고, 해당되는 모든 추락 보호 규정, 표준 또는 요건을 충족하는지 확인하십시오. 이러한 시스템을 사용하기 전에 항상 유자격자나 적격자에게 문의하십시오.
- 제품에 다음 경우를 포함하되 이에 국한되지 않는 모든 위험 요소가 없는지 확인하십시오. 사용자, 다른 작업자, 움직이는 기계, 기타 주변 물체와의 얽힘 또는 제품이나 사용자에게 떨어질 수 있는 머리 위 물체의 충격.
- 구멍줄을 비틀거나 묶거나 매듭을 짓거나 느슨하게 하지 마십시오.
- 구멍줄 다리에 걸려 넘어지지 않도록 주의하십시오. 사용하지 않은 구멍줄 다리가 있는 경우 전신 하네스의 랜야드 파킹 요소에 연결하십시오.
- 설명서에 명시된 허용 가능한 사용 인원 수를 초과하지 마십시오.
- 낙하 경로가 막힌 경우에는 사용하지 마십시오. SRD를 잠그려면 경로가 확보되어 있어야 합니다. 천천히 이동하는 재료(예: 모래 또는 곡물)를 처리하거나 제한된 공간이나 좁은 공간에서 작업하는 경우 작업자가 SRD를 잠글 수 있는 시간이 부족할 수 있습니다.
- SRD가 의도치 않게 잠기는 일이 없도록 작업 중 갑작스럽거나 급하게 움직이지 마십시오.
- 움직이는 부품에 끼인 부분이 생기지 않도록 제품 설치, 사용 또는 이동 시 주의하십시오.
- 제품이 날카로운 모서리나 거친 표면에 닿을 수 있는 경우에는 적절한 모서리 보호 장치를 사용하십시오.
- 안전하게 작동할 수 있도록 설명서의 지침을 따라 제품이 올바르게 구성되고 설치되었는지 확인하십시오.
- 하강 시 사용했던 제품은 즉시 서비스에서 제거하십시오.
- 사용하기 전에 하강 경로와 착지 영역에 장애물이나 위험 요소가 없는지 확인하십시오.

• **심각한 부상이나 사망을 초래할 수 있는 높은 장소에서의 작업과 관련한 위험을 줄이려면 다음을 따르십시오.**

- 작업자의 건강 및 신체 상태는 안전하게 고소 작업이 가능하고 추락 방지 이벤트 시 발생하는 모든 힘을 견뎌낼 수 있는 상태여야 합니다. 본 장비 사용 능력에 관해 궁금한 사항이 있으면 의사와 상담하십시오.
- 추락 보호 장비의 허용 중량을 초과해서는 안 됩니다.
- 추락 보호 장비의 지정된 최대 자유 낙하 거리를 초과해서는 안 됩니다.
- 검사를 통과하지 못한 추락 보호 장비를 사용하지 마십시오. 또는 장비의 사용이나 적합성에 대한 우려가 있는 경우에는 사용하지 마십시오. 궁금한 사항이 있으면 3M 기술 서비스에 문의하십시오.
- 일부 하위 시스템 및 구성 요소 조합은 본 장비의 작동을 방해할 수 있습니다. 호환되는 연결만 사용하십시오. 해당 설명서에 명시된 것 이외의 구성 요소 또는 하위 시스템과 함께 이 장비를 사용할 때는 사전에 3M 기술 서비스에 문의하십시오.
- 움직이는 기계 주변, 전기적 위험, 극한의 온도, 화학적 위험, 폭발성 또는 유독성 가스, 날카로운 모서리, 거친 표면 주변 또는 본인이나 추락 보호 장비 위로 떨어질 수 있는 자재 아래에서 작업할 때는 별도의 예방 조치를 취하십시오.
- 제품 사용이 작업 환경에 존재하는 위험 등급에 맞는지 확인하십시오.
- 높은 장소에서 작업할 때 추락 안전 거리가 충분인지 확인하십시오.
- 추락 보호 장비를 개조하거나 변경하지 마십시오. 3M 또는 3M의 서면 승인을 받은 작업자만 3M 장비를 수리할 수 있습니다.
- 추락 보호 장비를 사용하기 전에 추락 사고가 발생하면 즉각 구조할 수 있는 문서화된 구조 계획이 마련되어 있는지 확인하십시오.
- 낙상 사고가 발생하면 즉시 낙상한 근로자에게 의료 조치를 취하십시오.
- 추락 방지 용도로만 전신 하네스를 사용하십시오. 바디 벨트를 사용하지 마십시오.
- 가급적 앵커리지 지점 바로 아래에서 작업하여 스윙 추락을 최소화하십시오.
- 이 제품으로 훈련할 때는 보조 추락 보호 시스템을 사용해야 합니다. 훈련생이 의도되지 않은 추락 위험에 노출되어서는 안 됩니다.
- 제품을 설치, 사용 또는 검사할 때는 항상 적절한 개인 안전 보호구를 착용하십시오.
- 매달려 있는 화물이나 작업자 아래에서 작업하지 마십시오.
- 항상 100% 타이 오프를 유지하십시오.

☑ 항상 3M 사용 설명서의 최신 개정판을 참고하고 있는지 확인하십시오. 업데이트된 사용 설명서를 확인하려면 3M 웹사이트 (www.3m.com/userinstructions)를 방문하거나 3M 기술 서비스에 문의하십시오.

제품 개요:

그림 1은 3M™ Protecta® 자동 감김 장치(SRD)를 보여줍니다. Protecta SRD는 열가소성 또는 알루미늄 하우징으로 감기는 드럼형 와이어 로프 구멍줄입니다. 이 지침에서는 다음과 같은 유형의 SRD를 다룹니다.

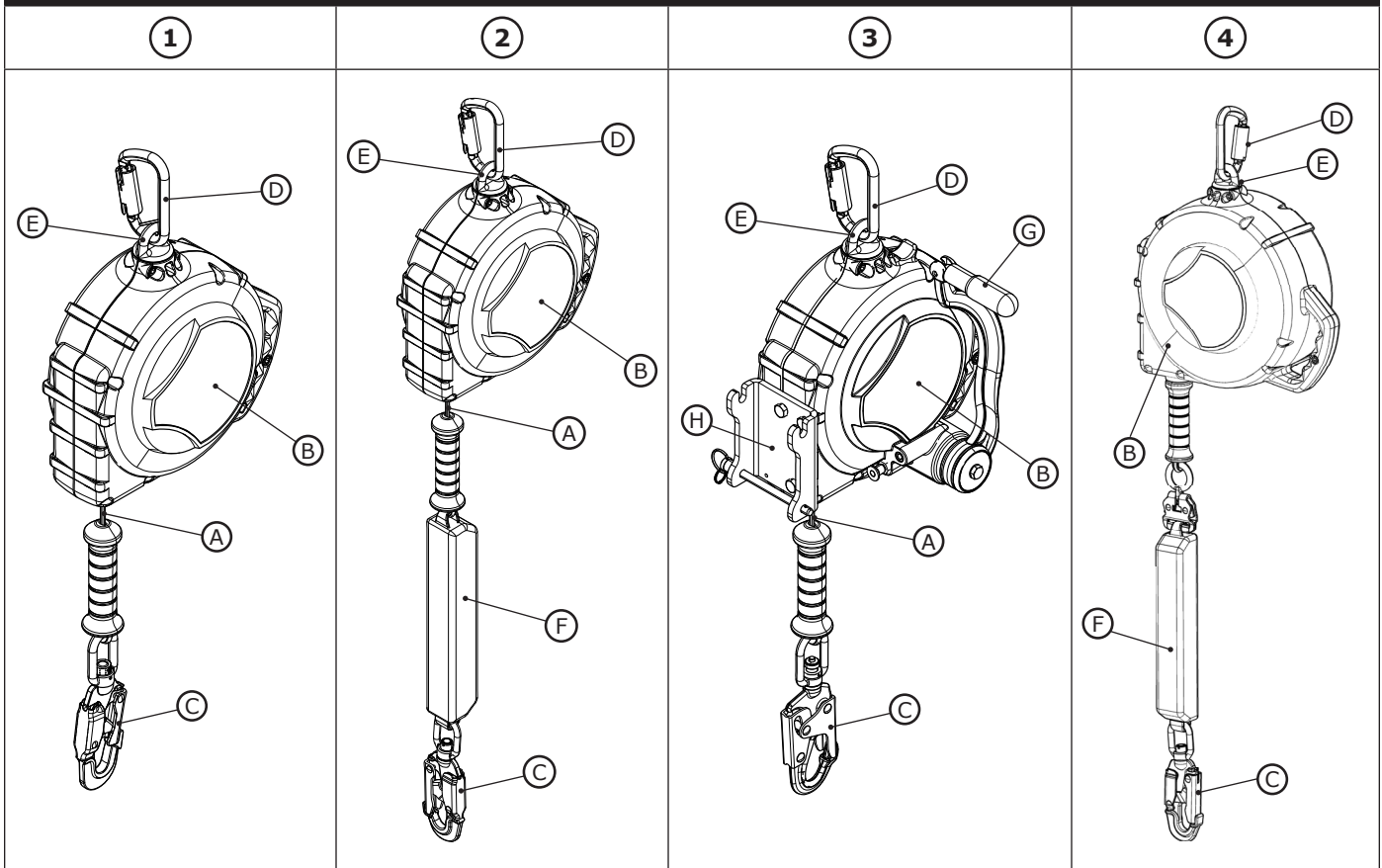
- **클래스 1 자동 감김 장치(그림 1.1, 2.1):** 자동 감김 장치(SRD)는 사용하는 대부분의 시간 동안 구멍줄이 수직으로 유지되는 경우에 적합합니다. 이 유형은 추락 방지 또는 억제 목적으로 사용할 수 있습니다.
- **클래스 2 선단 보호 자동 감김 장치(그림 1.2, 2.2):** SRD-LE(선단 보호 자동 감김 장치)는 사용하는 대부분의 시간 동안 구멍줄이 수평으로 유지되는 경우에 적합합니다. SRD-LE에는 추락 방지 중 날카롭거나 거친 모서리에 걸려 구멍줄에 가해지는 충격을 견디고 사용자의 추락 방지력을 최소화하는 에너지 흡수 장치가 내장되어 있습니다. 이 유형은 추락 방지 또는 억제 목적으로 사용할 수 있습니다.
- **클래스 1 구조 기능이 있는 자동 감김 장치(그림 1.3, 2.3):** SRD-R(구조 기능이 있는 자동 감김 장치)에는 지원 구조에 필수인 구조 대상을 올리거나 내리는 수단이 포함됩니다. 이 유형은 추락 방지, 구속 또는 구조 목적으로 사용할 수 있습니다.

그림 2는 사용 가능한 SRD 모델의 주요 구성 요소를 보여줍니다. 표준 SRD에서 구멍줄(A)은 하우징(B) 내에서 풀리거나 감깁니다. SRD에 장착된 상단 커넥터(D)는 SRD를 앵커리지 지점에 고정하고 스위블 아이(E)를 통해 SRD에 연결됩니다. 하단 커넥터(C)는 구멍줄 끝에 고정되고 사용자 전신 하네스의 지정된 추락 방지 부착 요소에 부착됩니다. 에너지 흡수 장치(F)는 추락 방지 시 운동 에너지를 분산시키고 감속력을 제한합니다.

이 지침에서 다루는 SRD-R 모델에는 몇 가지 추가 구성 요소가 포함됩니다. 회전 핸들(G)은 하단 커넥터(C)가 구조 대상의 하네스에 고정된 후 구멍줄(A)을 회수하는 데 사용됩니다. 브래킷(H)을 사용하면 SRD-R을 사용하는 동안 삼각대에 장착할 수 있습니다.

각 제품 모델에는 그림 1과 같이 고유한 크기와 구성 요소 조합이 있습니다. 구성 요소 사양에 대한 자세한 내용은 표 1을 참조하십시오.

그림 2 - 구성 요소



이 장비를 사용할 때는 먼저 본 설명서 뒷면의 “검사 및 유지보수 기록”에 있는 ID 라벨의 제품 ID 정보를 기록하십시오.

표 1 - 제품 사양

시스템 사양:			
앵커리지:	앵커리지 구조물 요구 사항은 시스템 적용 분야와 앵커리지 인증 여부에 따라 다릅니다. 앵커리지 구조물은 추락 보호 시스템에서 허용하는 방향으로 가해지는 정하중을 견뎌야 합니다.		
	시스템 적용 분야	인증 앵커리지	비인가 앵커리지
	추락 방지	최대 정지력의 2배	5,000lbf(22.2kN)
	억제	예측 가능한 힘의 2배	ANSI당 1,000lbf(4.4kN) OSHA당 5,000lbf(22.2kN)
	구조	적용된 하중의 5배	3,000lbf(13.3kN)
	하나의 앵커리지에 둘 이상의 장치가 부착되어 있으면 위에 명시된 강도에 앵커리지에 부착된 시스템 수를 곱해야 합니다. 자세한 내용은 ANSI Z359.2를 참조하십시오.		
	<input checked="" type="checkbox"/> 앵커리지는 적격자의 승인을 받아야 합니다.		
작동 온도:	--40°C~54.4°C(40°F~130°F)		
표준:	각 제품 모델은 그림 1에 나열된 표준 및 규정에 대해 인증을 받았거나 이러한 표준 및 규정을 준수합니다. 아무것도 지정되지 않은 경우 표지에 나열된 모든 표준 및 규정이 적용됩니다.		
중량:	제품 용량은 성능표를 참조하십시오. 따로 명시되어 있지 않으면 목록에 나와 있는 용량은 호환 가능한 모든 상황에서 제품을 사용하는 데 적용됩니다. 이 제품은 1인용으로 해당 용량 범위 내에 통합 중량(의료, 공구 등 포함)이 포함되어 있습니다.		

구성 요소 사양:		
그림 2 참조	구성 요소	재질
Ⓐ	구명줄	(구명줄 사양 참조)
Ⓑ	하우징	알루미늄
Ⓒ	하단 커넥터	(커넥터 사양 참조)
Ⓓ	상단 커넥터	(커넥터 사양 참조)
Ⓔ	스위블 아이	강철
Ⓕ	에너지 흡수 장치	폴리에스터 구명줄과 고무 덮개
Ⓖ	회전 핸들	강철
Ⓗ	브래킷	스테인리스 스틸
Ⓘ	모듈식 커넥터	아연 도금강
---	드럼	알루미늄
<input checked="" type="checkbox"/> 내부 구성 요소: 내부 SRD 구성 요소는 스테인리스 스틸, 강철 및 알루미늄으로 만들어집니다.		

커넥터 사양:					
그림 1 참조 자료	모델 번호	설명	자재	게이트 개구부	게이트 강도
C1	2000112	카라비너	강철	11/16in.(17mm)	3,600lbf(16kN)
C2	2000175	스위블 자동 잠금 스냅 후크	아연 도금강	3/4in.(19mm)	3,600lbf(16kN)
<input checked="" type="checkbox"/> 인장 강도: 위에 나열된 각 커넥터의 인장 강도는 22.2kN(5,000lbf)입니다.					

모듈식 커넥터:			
SRD 모델	모듈식 에너지 흡수 장치	구성 요소 연결하기:	
		D링	버클
3590298	1340151	9506214	9501441

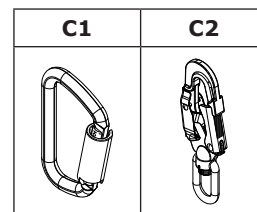


표 1 - 제품 사양

구멍줄 사양:	
그림 1 참조	설명
GS1	7/32in.(5.56mm) 아연 도금 강철 와이어 로프
GS2	3/16in.(4.76mm) 아연 도금 강철 와이어 로프
SS1	3/16in.(4.76mm) 스테인리스 스틸 와이어 로프

성능 - SRD	ANSI 모델	OSHA 모델	OSHA 모델
중량 범위:	130lb.~310lb. (59kg~140kg)	130lb.~310lb. (59kg~140kg)	311lb.~420lb. (141kg~191kg)
최대 정지력:	1,800lbf(8kN)	1,350lbf(5kN)	1,350lbf(5kN)
평균 정지력:	1,350lbf(5kN)	900lbf(4kN)	해당 없음
최대 정지거리: <i>*SRD가 사용자 바로 위에 장착되어 있다고 가정합니다.</i>	42in.(1.1m)	42in.(1.1m)	42in.(1.1m)
최소 요구 추락 안전 거리: <i>*SRD가 사용자 바로 위에 장착되어 있다고 가정합니다.</i>	6ft(1.8m)	6ft(1.8m)	7ft(2.1m)
최대 자유 낙하: <i>*SRD는 사용자의 D링 위에 장착해야 합니다.</i>	2ft(0.6m)	2ft(0.6m)	2ft(0.6m)

성능 - SRD-LE 20ft. 및 33ft.	ANSI 모델	OSHA 모델
중량 범위:	130lb.~310lb.(59kg~140kg)	130lb.~310lb.(59kg~140kg)
최대 정지력:	1,800lbf(8kN)	1,350lbf(5kN)
평균 정지력:	1,350lbf(5kN)	900lbf(4kN)
최대 정지거리: <i>*SRD가 사용자 바로 위에 장착되어 있다고 가정합니다.</i>	42in.(1.1m)	42in.(1.1m)
최소 요구 추락 안전 거리:	수직: 6ft.(1.8m) 수평: 18.1ft.(5.5m)	수직: 6ft.(1.8m) 수평: 18.1ft.(5.5m)
최대 자유 낙하: <i>*SRD는 사용자의 D링 위에 장착해야 합니다.</i>	2ft(0.6m)	2ft(0.6m)
최대 자유 낙하 - LE: <i>*사용자의 D링에서 작업 표면까지 측정되었습니다.</i>	5ft(1.5m)	---

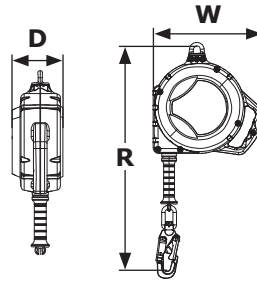
성능 - SRD-LE 50ft, 66ft, 모듈식	ANSI 모델	OSHA 모델
중량 범위:	130lb.~310lb.(59kg~140kg)	130lb.~310lb.(59kg~140kg)
최대 정지력:	1,800lbf(8kN)	1,800lbf(8kN)
평균 정지력:	1,350lbf(5kN)	해당 없음
최대 정지거리: <i>*SRD가 사용자 바로 위에 장착되어 있다고 가정합니다.</i>	42in.(1.1m)	42in.(1.1m)
최소 요구 추락 안전 거리:	수직: 6ft.(1.8m) 수평: 18.1ft.(5.5m)	수직: 6ft.(1.8m) 수평: 18.1ft.(5.5m)
최대 자유 낙하: <i>*SRD는 사용자의 D링 위에 장착해야 합니다.</i>	2ft(0.6m)	2ft(0.6m)
최대 자유 낙하 - LE: <i>*사용자의 D링에서 작업 표면까지 측정되었습니다.</i>	5ft(1.5m)	---

표 1 - 제품 사양

성능 - SRD-R	ANSI 모델	OSHA 모델	OSHA 모델
중량 범위:	130lb.~310lb. (59kg~140kg)	130lb.~310lb. (59kg~140kg)	311lbs.~420lbs. (141kg~191kg)
최대 정지력:	1,350lbf(6kN)	1,350lbf(6kN)	1,350lbf(5kN)
평균 정지력:	1,125lbf(5kN)	900lbf(4kN)	900lbf(4kN)
최대 정지거리: <i>*SRD가 사용자 바로 위에 장착되어 있다고 가정합니다.</i>	42in.(1.1m)	42in.(1.1m)	42in.(1.1m)
최소 요구 추락 안전 거리: <i>*SRD가 사용자 바로 위에 장착되어 있다고 가정합니다.</i>	6ft.(1.8m)	6ft.(1.8m)	7ft.(2.1m)
최대 자유 낙하: <i>*SRD는 사용자의 D 링 위에 장착해야 합니다.</i>	2ft(0.6m)	2ft(0.6m)	2ft(0.6m)
최대 리프팅 하중:	310lb.(140kg)	310lb.(140kg)	420lb.(191kg)

치수:

그림 1 참조 자료	R	W	D
사이즈 A	22.5in. (57.2cm)	9.8in. (24.9cm)	4.6in. (11.7cm)
사이즈 B	42.0in. (106.7cm)	9.8in. (24.9cm)	4.6in. (11.7cm)
사이즈 C	42.0in. (106.7cm)	11.1in. (28.3cm)	4.6in. (11.7cm)
사이즈 D	46.0in. (116.8cm)	12.9in. (32.8cm)	5.5in. (14.0cm)
사이즈 E	23.8in. (60.5cm)	11.1in. (28.3cm)	4.6in. (11.7cm)
사이즈 F	23.8in. (60.5cm)	11.1in. (28.3cm)	7.0in. (17.8cm)
사이즈 G	25.7in. (65.3cm)	12.9in. (32.8cm)	5.5in. (14.0cm)
사이즈 H	49.3in (125.1cm)	12.9in (32.8cm)	5.5in (14.0cm)



1.0 제품 적용 분야

- 1.1 **용도:** 3M 자동 감김 장치는 추락 보호 시스템의 하위 시스템을 연결하도록 설계되었습니다. 고정되고 나면 작업자가 움직일 때 구명줄이 자동으로 풀리거나 감킵니다. 추락이 발생하면 감지 메커니즘이 장치를 활성화해 추락을 방지합니다. 시스템 적용 분야에 대한 자세한 내용은 "제품 개요" 및 표 1을 참조하십시오.
- 1.2 **감독:** 이 장비는 유자격자의 감독하에 사용해야 합니다.
- 1.3 **표준:** 본 제품은 지침 앞 표지에 명시된 국가 또는 지역 표준을 준수합니다. 본 제품이 본래 목적지 국가 외에서 재판매될 경우, 재판매업체는 이 지침을 제품이 사용되는 국가의 언어로 제공해야 합니다.

인증 또는 적합성 요구 사항에 대한 자세한 내용은 본 제품에 해당하는 표준 및 규정(예: ANSI/ASSP Z359 추락 보호 코드)을 참조하십시오.

- 1.4 **교육:** 이 장비는 올바른 사용 교육을 받은 사람이 설치 및 사용해야 합니다. 이 지침은 국가, 지역 또는 현지 규정에 따라 직원 교육 프로그램의 일부로 사용됩니다. 본 장비의 사용자와 설치자는 이러한 지침을 잘 숙지하고, 본 장비의 올바른 관리 및 사용에 대한 교육을 받아야 하며, 작동 특성, 적용 제한 및 장비의 부적절한 사용에 대한 결과를 알고 있어야 할 책임이 있습니다.
- 1.5 **구조 계획:** 본 장비 및 연결용 하위 시스템을 이용할 때 고용주는 구조 계획을 서면으로 작성하고, 이를 수행할 수단을 마련하고, 이를 사용자, 허가자 및 구조 요원에게 알려야 합니다. 구조는 교육받은 현장 구조 팀이 수행하는 것이 좋습니다. 팀원에게는 성공적인 구조를 수행하기 위해 필요한 장비와 기술이 제공되어야 합니다. 능숙한 구조를 위해 정기적으로 교육을 제공해야 합니다. 구조 요원에게 이 지침을 제공해야 합니다. 구조 과정 내내 구조되는 사람을 눈으로 보거나 구조되는 사람과 의사소통할 수단이 있어야 합니다.

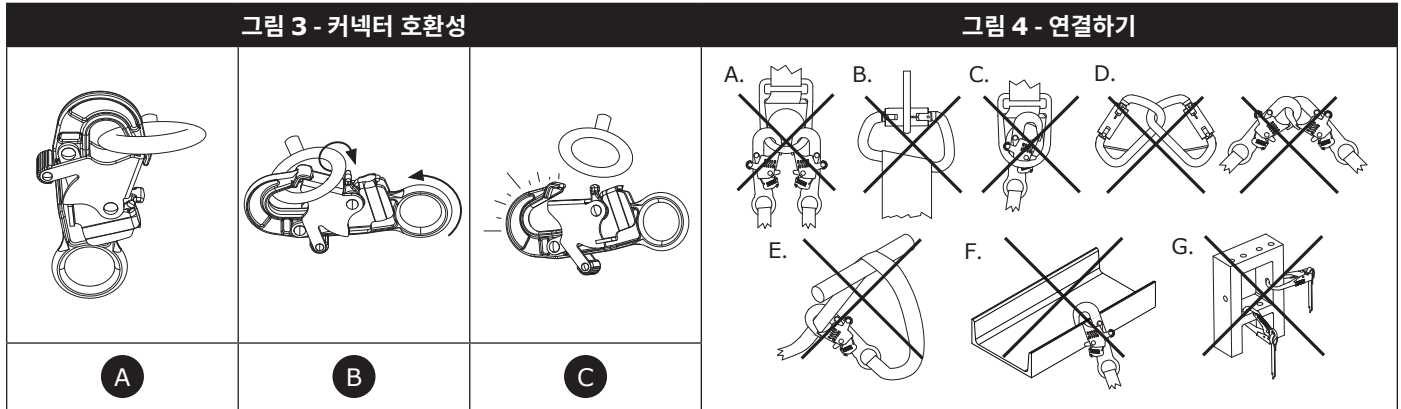
2.0 시스템 요구 사항

- 2.1 **앵커리지:** +앵커리지 요구 사항은 추락 보호 장치에 따라 다릅니다. 장비가 장착되는 구조물은 표 1에 정의된 앵커리지 사양을 충족해야 합니다.
- 2.2 **중량:** 전체 추락 보호 시스템의 사용자 중량은 정격 최대 중량이 가장 낮은 구성 요소에 의해 제한됩니다. 예를 들어 연결용 하위 시스템의 제한 중량이 하네스보다 적은 경우 연결용 하위 시스템의 제한 중량을 준수해야 합니다. 추락 방지 시스템의 각 구성 요소에 대한 중량은 제조업체의 지침을 참조하십시오.
- 2.3 **환경적 위험:** 환경적 위험이 있는 구역에서 이 장비를 사용할 때는 사용자의 부상이나 장비의 훼손을 방지하기 위한 추가적인 주의가 필요합니다. 위험에는 고열, 화학 물질, 부식성 환경, 고압 전력선, 폭발성 또는 독성 가스, 움직이는 기계, 날카로운 모서리 또는 사용자나 장비에 떨어져 닿을 수 있는 머리 위의 자재 등이 포함되나 이에 국한되지 않습니다. 추가 설명이 필요한 경우 3M 기술 서비스에 문의하십시오.
- 2.4 **구명줄 위험:** 구명줄에 다음 경우를 포함하되 이에 국한되지 않는 모든 위험 요소가 없는지 확인하십시오. 사용자, 다른 작업자, 움직이는 기계, 기타 주변 물체와의 얽힘 또는 구명줄이나 사용자에게 떨어질 수 있는 머리 위 물체의 충격.
- 2.5 **낙하 경로 및 SRD 잠금 속도:** 낙하 경로가 막힌 경우에는 사용하지 마십시오. SRD를 잠그려면 경로가 확보되어 있어야 합니다. 천천히 이동하는 재료(예: 모래 또는 곡물)를 처리하거나 제한된 공간에서 작업하는 경우 작업자가 자동 감김 장치를 잠글 수 있는 시간이 부족할 수 있습니다.
- 2.6 **구성 요소 호환성:** 3M 장비는 다른 3M 장비와 호환되도록 설계되었습니다. 타사 장비와 함께 사용하려면 유자격자의 승인을 받아야 합니다. 승인받지 않은 장비로 교체할 경우 장비가 호환되지 않을 수 있으며 추락 보호 시스템의 안전과 안정성에 영향을 줄 수 있습니다. 장비를 사용하기 전에 모든 지침과 경고를 읽고 따르십시오.
- 2.7 **커넥터 호환성:** 커넥터는 연결 요소와 호환됩니다. 단, 정렬 방향과 관계없이 구성 요소의 크기와 모양으로 인해 커넥터가 실수로 열리지 않아야 합니다. 커넥터는 적용되는 표준을 준수해야 합니다. 사용 중에는 커넥터를 완전히 닫고 잠가야 합니다.

3M 커넥터(스냅 후크 및 카라비너)는 해당 제품의 사용 설명서에 명시된 대로만 사용해야 합니다. 커넥터와 커넥터를 연결하는 시스템 구성 요소가 서로 호환되는지 확인하십시오. 호환되지 않는 장비는 사용하지 마십시오. 호환되지 않는 구성 요소를 사용하면 커넥터가 의도하지 않게 분리될 수 있습니다(그림 3 참조). 커넥터가 부착된 연결 요소의 크기가 작거나 모양이 불규칙한 경우 연결 요소가 커넥터의 게이트에 하중을 가할 수 있습니다(A). 이러한 하중으로 인해 게이트가 열리고(B) 커넥터와 연결 요소가 분리될 수 있습니다(C).

2.8 연결하기: 모든 연결부는 크기, 모양 및 강도가 호환되어야 합니다. 부적절한 연결에 대한 예는 그림 4를 참조하십시오. 스냅 후크와 카라비너를 다음과 같은 방식으로 부착하지 마십시오.

- A. 다른 커넥터가 연결되어 있는 D링에 연결하면 안 됩니다.
- B. 게이트에 하중을 가하는 방식으로 연결하면 안 됩니다. 스냅 후크의 게이트 강도가 16kN(3,600lbf) 미만일 경우 스로트가 큰 스냅 후크를 표준 크기의 D링 또는 기타 연결 요소에 연결해서는 안 됩니다.
- C. 눈으로 확인하지 않고 연결해서는 안 됩니다. 커넥터 또는 연결 요소의 크기나 모양이 호환되지 않으나 제대로 연결된 것처럼 보일 수 있습니다.
- D. 상호 연결하면 안 됩니다.
- E. 사용 설명서에 특별히 침줄과 커넥터의 연결이 허용된 경우를 제외하고, 웨빙이나 로프 침줄 또는 타이백에 직접 연결하면 안 됩니다.
- F. 크기나 모양으로 인해 커넥터가 완전히 닫히고 잠길 수 없거나 커넥터 롤아웃을 유발할 수 있는 대상에 연결하면 안 됩니다.
- G. 하중을 받는 상태에서 커넥터가 적절하게 정렬되지 않는 방식으로 연결하면 안 됩니다.



3.0 설치

3.1 개요: 이 제품을 설치하기 위해서는 효과적인 계획과 추락 안전 거리 요구 사항에 대한 지식이 있어야 합니다. 추락 시 사용자를 안전하게 멈추게 하는 충분한 추락 안전 거리를 확보해야 합니다.

3.2 계획 수립: 작업을 시작하기 전에 추락 보호 시스템을 계획하십시오. 추락 전, 도중 및 후에 안전에 영향을 줄 수 있는 모든 요인을 고려합니다. 이 지침에 정의된 모든 요구 사항과 제한 사항을 고려하십시오.

A. 날카로운 모서리: 시스템 구성 요소가 보호되지 않은 날카로운 모서리나 거친 표면에 닿거나 긁힐 수 있는 곳에서 작업하지 마십시오. 모든 날카로운 모서리와 거친 표면은 보호재로 덮어야 합니다.

보호되지 않은 날카로운 모서리 또는 거친 표면이 있는 곳에는 자동 감김 장치-LE만 사용할 수 있습니다.

3.3 추락 안전 거리: 이 제품을 사용하기 전에 사용자가 추락 안전 거리 및 해당 요구 사항을 인지하는 것이 중요합니다.

A. 정의: 추락 안전 거리는 사용자와 그 아래에 있는 다음 장애물 사이의 거리를 측정한 것입니다. 이 제품을 사용하기 전에 사용자는 추락 시 장애물에 부딪히는 것을 방지하기 위해 추락 안전 거리가 얼마나 필요한지 결정해야 합니다.

사용자의 **필수 추락 안전 거리(FC)**는 **자유 낙하(FF)**, **감속 거리(DD)**, **하네스 신축성(HS)** 및 **안전 계수(SF)**의 합계입니다. 그림 5.1을 참조하십시오.

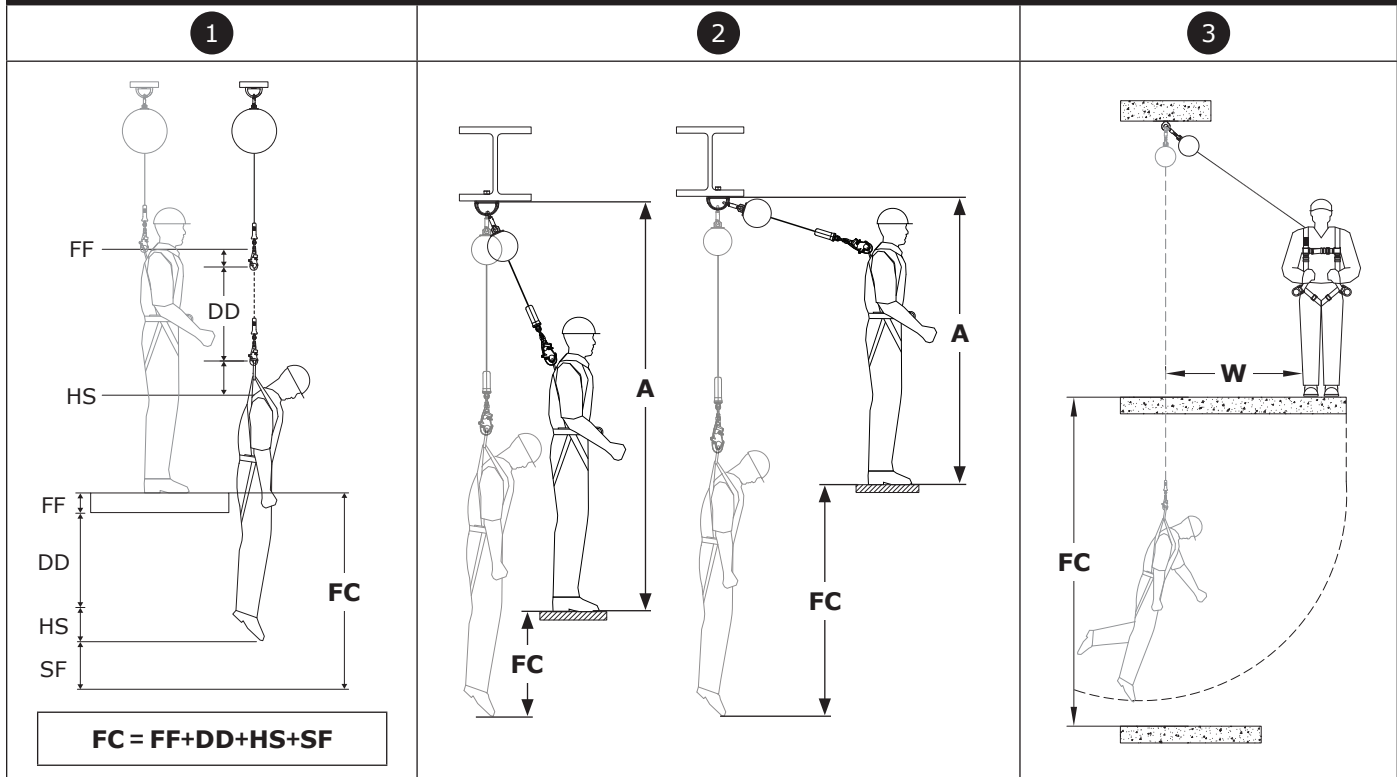
- **자유 낙하(FF)**는 감속 장치가 활성화되기 전에 사용자가 이동하는 거리입니다.
- **감속 거리(DD)**는 감속 장치가 활성화된 후 정지할 때까지 사용자가 낙하한 거리입니다.
- **하네스 신축성(HS)**은 사용자가 하네스 부착 요소에 매달려 있을 때 사용자의 하네스가 느슨해지는 정도입니다.
- **안전 계수(SF)**는 사용자 안전을 보장하기 위해 추락 안전 거리에 추가하는 일정 거리입니다.

D링 연장선 길이, 앵커리지 편향 같이 추락 방지 시스템 내에서 필수 추락 안전 거리에 영향을 미치는 추가 요인이 있을 수 있습니다. 이러한 추가 요인과 위에서 설명하지 않은 다른 요인에 관한 범위는 추락 방지 시스템의 각 구성 요소에 대한 제조업체 지침을 참조하십시오. 추가 요인이 설명되어 있는 경우 이 지침의 추락 안전 거리에 추가해야 합니다.

B. 요구 사항 최소화: 사용자는 항상 추락 방지 시스템을 배치하여 추락 가능성과 잠재적 추락 거리를 최소화해야 합니다. 추락 안전 거리 요구 사항을 최소로 유지하려면 사용자가 최대한 앵커리지 지점 바로 아래에서 작업하는 것이 좋습니다.

- **앵커리지 높이:** 앵커리지 높이(A)가 감소함에 따라 사용자의 필수 추락 안전 거리(FC)도 증가합니다. 앵커리지 지점이 사용자 아래에 있으면 사용자의 자유 낙하 거리가 증가합니다. 사용자가 낙하하는 경우 증가한 거리만큼 더 낙하해야 하기 때문입니다. 그림 5.2을 참조하십시오.
- **진자 추락:** 사용자 작업 반경(W)이 증가하면 사용자의 필수 추락 안전 거리(FC)도 증가합니다. 진자 추락은 추락 시 앵커리지 지점이 사용자의 바로 위에 있지 않을 때 발생합니다. 그림 5.3을 참조하십시오. 진자 추락 중에 물체에 부딪히면 심각한 부상이나 사망을 초래할 수 있습니다. 부상이 발생할 가능성이 있을 경우 진자 추락을 방지해야 합니다.

그림 5 - 추락 안전 거리 요구 사항



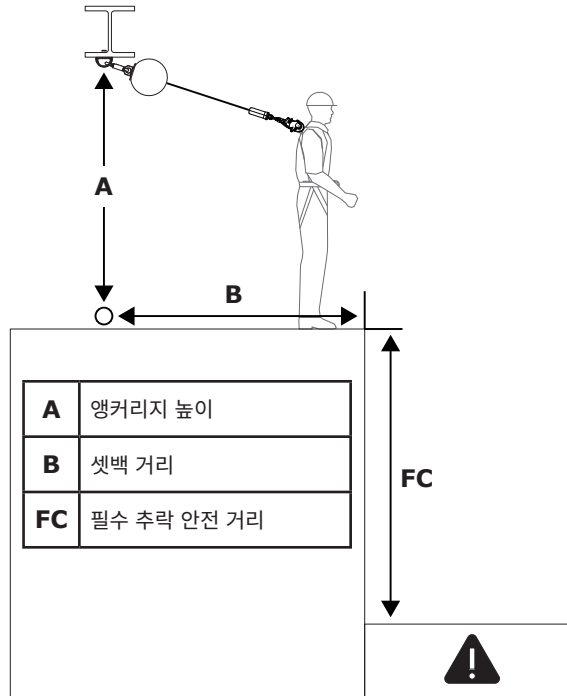
추락 안전 거리 차트

필수 추락 안전 거리는 아래 차트에 나와 있습니다. 필수 추락 안전 거리를 계산하려면 다음을 따릅니다.

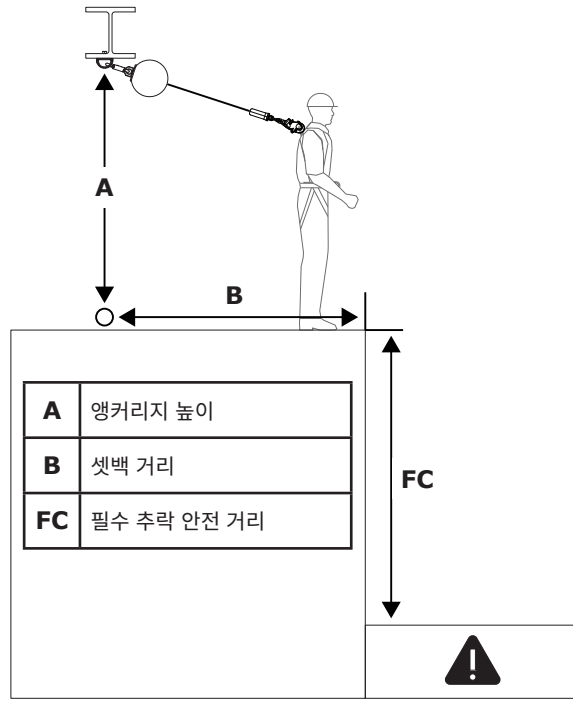
1. 보유 중인 제품 유형과 일치하고 통합 중량에 맞는 중량을 포함하는 추락 안전 거리 차트를 선택하십시오.
2. 하위 시스템의 앵커리지 높이(A)를 결정합니다. 앵커리지 높이는 작업 플랫폼 상단에서 앵커리지 연결 지점 하단까지의 거리입니다.
3. 시스템의 셋백 거리(B)를 결정합니다. 셋백 거리는 앵커리지 연결 지점 바로 아래에서 작업 플랫폼의 가장자리까지의 거리입니다.
4. 앵커리지 높이(A)와 셋백 거리(B)를 계산한 다음, 추락 안전 거리 차트의 (A)와 (B)를 사용하여 필수 추락 안전 거리(FC)를 결정하십시오.

사용자가 측정한 (A) 및 (B)의 값이 표에 나열된 값과 일치하지 않는 경우 사용자는 그다음으로 높은 값으로 반올림해야 합니다. 더 높은 값이 없는 경우 사용자는 계획한 앵커리지 높이 또는 셋백 거리를 더 낮은 값으로 줄여야 합니다.

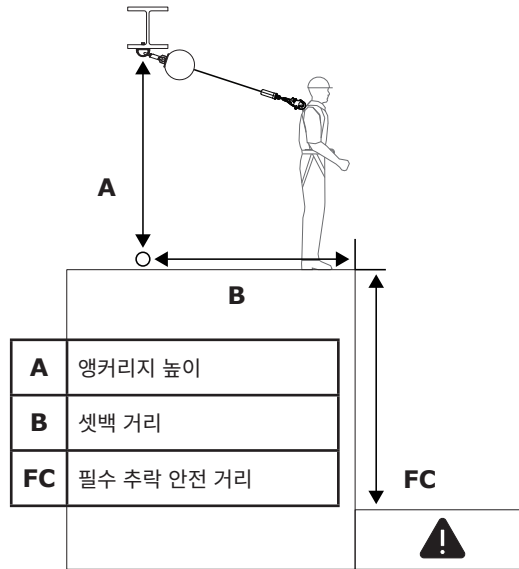
나열된 모든 값에서 0.45m(1.5ft.)의 안전 계수와 1.8m(6.0ft.)의 사용자 높이가 사용되었습니다. 무릎을 꿇거나 웅크리면 유효 사용자 키가 줄어들기 때문에 1.0m(3.28ft.)의 추락 안전 거리가 추가로 필요합니다.



사용자 체중: 130~310lb. (59~140kg)		(B)									
		0ft. (0m)	3ft. (0.9m)	6ft. (1.83m)	9ft. (2.74m)	12ft. (3.66m)	15ft. (4.57m)	18ft. (5.49m)	21ft. (6.40m)	24ft. (7.32m)	27ft. (8.23m)
(A)	<8ft. (2.40m)										
	8ft. (2.40m)	6.0ft. (1.83m)	7.4ft. (2.26m)	9.9ft. (3.02m)							
	12ft. (3.66m)	6.0ft. (1.83m)	6.8ft. (2.07m)	8.4ft. (2.56m)							
	16ft. (4.88m)	6.0ft. (1.83m)	6.7ft. (2.04m)	7.7ft. (2.35m)							
	20ft. (6.10m)	6.0ft. (1.83m)	6.5ft. (1.98m)	7.2ft. (2.19m)	8.6ft. (2.62m)						
	24ft. (7.32m)	6.0ft. (1.83m)	6.5ft. (1.98m)	7.0ft. (2.13m)	8.1ft. (2.47m)	9.6ft. (2.93m)					
	28ft. (8.53m)	6.0ft. (1.83m)	6.4ft. (1.95m)	6.9ft. (2.10m)	7.8ft. (2.38m)	9.0ft. (2.74m)					
	32ft. (9.75m)	6.0ft. (1.83m)	6.4ft. (1.95m)	6.8ft. (2.07m)	7.5ft. (2.29m)	8.6ft. (2.62m)	10.0ft. (3.04m)				
	36ft. (11.0m)	6.0ft. (1.83m)	6.4ft. (1.95m)	6.8ft. (2.07m)	7.4ft. (2.26m)	8.3ft. (2.53m)	9.6ft. (2.93m)				
	40ft. (12.2m)	6.0ft. (1.83m)	6.4ft. (1.95m)	6.7ft. (2.04m)	7.2ft. (2.19m)	8.1ft. (2.47m)	9.2ft. (2.80m)				
	(FC)										



사용자 체중: 130~310 lb. (59~140kg)	ⓑ										
	0ft. (0m)	3ft. (0.9m)	6ft. (1.83m)	9ft. (2.74m)	12ft. (3.66m)	15ft. (4.57m)	18ft. (5.49m)	21ft. (6.40m)	24ft. (7.32m)	27ft. (8.23m)	
ⓐ	44ft. (13.4m)	6.0ft. (1.83m)	6.3ft. (1.92m)	6.7ft. (2.04m)	7.1ft. (2.16m)	7.9ft. (2.41m)	8.9ft. (2.71m)	10.1ft. (3.08m)			
	48ft. (14.6m)	6.0ft. (1.83m)	6.3ft. (1.92m)	6.6ft. (2.01m)	7.0ft. (2.13m)	7.7ft. (2.35m)	8.6ft. (2.62m)	9.7ft. (2.96m)			
	52ft. (15.8m)	6.0ft. (1.83m)	6.3ft. (1.92m)	6.6ft. (2.01m)	6.9ft. (2.10m)	7.5ft. (2.29m)	8.3ft. (2.53m)	9.3ft. (2.83m)			
	56ft. (17.1m)	6.0ft. (1.83m)	6.3ft. (1.92m)	6.6ft. (2.01m)	6.9ft. (2.10m)	7.4ft. (2.26m)	8.2ft. (2.50m)	9.1ft. (2.77m)			
	60ft. (18.3m)	6.0ft. (1.83m)	6.3ft. (1.92m)	6.6ft. (2.01m)	6.9ft. (2.10m)	7.4ft. (2.26m)	8.0ft. (2.44m)	8.9ft. (2.71m)	9.9ft. (3.02m)		
	64ft. (19.5m)	6.0ft. (1.83m)	6.3ft. (1.92m)	6.6ft. (2.01m)	6.8ft. (2.07m)	7.3ft. (2.23m)	7.9ft. (2.41m)	8.8ft. (2.68m)	9.7ft. (2.96m)		
	68ft. (20.7m)	6.0ft. (1.83m)	6.3ft. (1.92m)	6.5ft. (1.98m)	6.8ft. (2.07m)	7.2ft. (2.19m)	7.8ft. (2.38m)	8.6ft. (2.62m)	9.5ft. (2.90m)		
	72ft. (21.9m)	6.0ft. (1.83m)	6.3ft. (1.92m)	6.5ft. (1.98m)	6.8ft. (2.07m)	7.1ft. (2.16m)	7.7ft. (2.35m)	8.4ft. (2.56m)	9.2ft. (2.80m)		
	76ft. (23.2m)	6.0ft. (1.83m)	6.3ft. (1.92m)	6.5ft. (1.98m)	6.8ft. (2.07m)	7.0ft. (2.13m)	7.6ft. (2.32m)	8.3ft. (2.53m)	9.1ft. (2.77m)	10.0ft. (3.04m)	
	80ft. (24.4m)	6.0ft. (1.83m)	6.2ft. (1.89m)	6.5ft. (1.98m)	6.7ft. (2.04m)	7.0ft. (2.13m)	7.5ft. (2.29m)	8.2ft. (2.50m)	8.9ft. (2.71m)	9.8ft. (2.99m)	
	84ft. (25.6m)	6.0ft. (1.83m)	6.2ft. (1.89m)	6.5ft. (1.98m)	6.7ft. (2.04m)	7.0ft. (2.13m)	7.5ft. (2.29m)	8.1ft. (2.47m)	8.8ft. (2.68m)	9.6ft. (2.93m)	
	88ft. (26.8m)	6.0ft. (1.83m)	6.2ft. (1.89m)	6.5ft. (1.98m)	6.7ft. (2.04m)	6.9ft. (2.10m)	7.4ft. (2.26m)	8.0ft. (2.44m)	8.7ft. (2.65m)	9.5ft. (2.90m)	
	92ft. (28.0m)	6.0ft. (1.83m)	6.2ft. (1.89m)	6.4ft. (1.95m)	6.7ft. (2.04m)	6.9ft. (2.10m)	7.3ft. (2.23m)	7.8ft. (2.38m)	8.4ft. (2.56m)	9.1ft. (2.77m)	9.9ft. (3.02m)
	96ft. (29.3m)	6.0ft. (1.83m)	6.2ft. (1.89m)	6.4ft. (1.95m)	6.7ft. (2.04m)	6.9ft. (2.10m)	7.2ft. (2.19m)	7.7ft. (2.35m)	8.2ft. (2.50m)	8.9ft. (2.71m)	9.7ft. (2.96m)
	100ft. (30.5m)	6.0ft. (1.83m)	6.2ft. (1.89m)	6.4ft. (1.95m)	6.6ft. (2.01m)	6.8ft. (2.07m)	7.1ft. (2.16m)	7.6ft. (2.32m)	8.2ft. (2.50m)	8.8ft. (2.68m)	9.6ft. (2.93m)
	ⓒ										



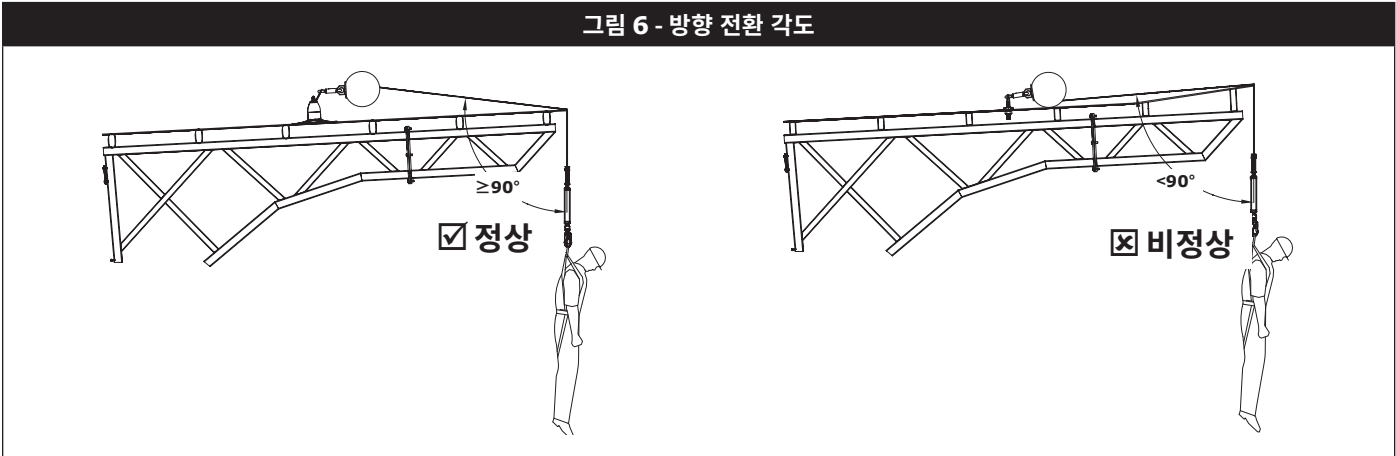
사용자 체중: 311~420lb. (141~190kg)		(B)											
		0ft. (0m)	3ft. (0.9m)	6ft. (1.83m)	9ft. (2.74m)	12ft. (3.66m)	15ft. (4.57m)	18ft. (5.49m)	21ft. (6.40m)	24ft. (7.32m)	27ft. (8.23m)		
(A)	<8ft. (2.40m)	X											
	8ft. (2.40m)	7.0ft. (2.1m)	8.4ft. (2.56m)	10.9ft. (3.32m)	X							X	
	12ft. (3.66m)	7.0ft. (2.1m)	7.8ft. (2.38m)	9.4ft. (2.86m)	X						X		
	16ft. (4.88m)	7.0ft. (2.1m)	7.7ft. (2.35m)	8.7ft. (2.65m)	X					X			
	20ft. (6.10m)	7.0ft. (2.1m)	7.5ft. (2.29m)	8.2ft. (2.50m)	9.6ft. (2.93m)	X				X			
	24ft. (7.32m)	7.0ft. (2.1m)	7.5ft. (2.29m)	8.0ft. (2.44m)	9.1ft. (2.77m)	10.6ft. (3.23m)	X			X			
	28ft. (8.53m)	7.0ft. (2.1m)	7.4ft. (2.26m)	7.9ft. (2.41m)	8.8ft. (2.68m)	10.0ft. (3.04m)	X		X				
	32ft. (9.75m)	7.0ft. (2.1m)	7.4ft. (2.26m)	7.8ft. (2.38m)	8.5ft. (2.59m)	9.6ft. (2.93m)	11.0ft. (3.35m)	X		X			
	36ft. (11.0m)	7.0ft. (2.1m)	7.4ft. (2.26m)	7.8ft. (2.38m)	8.4ft. (2.56m)	9.3ft. (2.83m)	10.6ft. (3.23m)	X			X		
	40ft. (12.2m)	7.0ft. (2.1m)	7.4ft. (2.26m)	7.7ft. (2.35m)	8.2ft. (2.50m)	9.1ft. (2.77m)	10.2ft. (3.10m)	X		X			
	44ft. (13.4m)	7.0ft. (2.1m)	7.3ft. (2.22m)	7.7ft. (2.35m)	8.1ft. (2.47m)	8.9ft. (2.71m)	9.9ft. (3.02m)	11.1ft. (3.38m)	X		X		
	48ft. (14.6m)	7.0ft. (2.1m)	7.3ft. (2.22m)	7.6ft. (2.32m)	8.0ft. (2.44m)	8.7ft. (2.65m)	9.6ft. (2.93m)	10.7ft. (3.26m)	X		X		
	52ft. (15.8m)	7.0ft. (2.1m)	7.3ft. (2.22m)	7.6ft. (2.32m)	7.9ft. (2.41m)	8.5ft. (2.59m)	9.3ft. (2.83m)	10.3ft. (3.14m)	X		X		
	56ft. (17.1m)	7.0ft. (2.1m)	7.3ft. (2.22m)	7.6ft. (2.32m)	7.9ft. (2.41m)	8.4ft. (2.56m)	9.2ft. (2.80m)	10.1ft. (3.07m)	X		X		
	60ft. (18.3m)	7.0ft. (2.1m)	7.3ft. (2.22m)	7.6ft. (2.32m)	7.9ft. (2.41m)	8.4ft. (2.56m)	9.0ft. (2.74m)	9.9ft. (3.02m)	10.9ft. (3.32m)	X			
	64ft. (19.5m)	7.0ft. (2.1m)	7.3ft. (2.22m)	7.6ft. (2.32m)	7.8ft. (2.38m)	8.3ft. (2.53m)	8.9ft. (2.71m)	9.8ft. (2.99m)	10.7ft. (3.26m)	X			
	68ft. (20.7m)	7.0ft. (2.1m)	7.3ft. (2.22m)	7.5ft. (2.29m)	7.8ft. (2.38m)	8.2ft. (2.50m)	8.8ft. (2.68m)	9.6ft. (2.93m)	10.5ft. (3.20m)	X			
	72ft. (21.9m)	7.0ft. (2.1m)	7.3ft. (2.22m)	7.5ft. (2.29m)	7.8ft. (2.38m)	8.1ft. (2.47m)	8.7ft. (2.65m)	9.4ft. (2.86m)	10.2ft. (3.10m)	X			
	76ft. (23.2m)	7.0ft. (2.1m)	7.3ft. (2.22m)	7.5ft. (2.29m)	7.8ft. (2.38m)	8.0ft. (2.44m)	8.6ft. (2.62m)	9.3ft. (2.83m)	10.1ft. (3.07m)	11.0ft. (3.35m)	X		
	80ft. (24.4m)	7.0ft. (2.1m)	7.2ft. (2.19m)	7.5ft. (2.29m)	7.7ft. (2.35m)	8.0ft. (2.44m)	8.5ft. (2.59m)	9.2ft. (2.80m)	9.9ft. (3.02m)	10.8ft. (3.29m)	X		
	84ft. (25.6m)	7.0ft. (2.1m)	7.2ft. (2.19m)	7.5ft. (2.29m)	7.7ft. (2.35m)	8.0ft. (2.44m)	8.5ft. (2.59m)	9.1ft. (2.77m)	9.8ft. (2.99m)	10.6ft. (3.23m)	X		
	88ft. (26.8m)	7.0ft. (2.1m)	7.2ft. (2.19m)	7.5ft. (2.29m)	7.7ft. (2.35m)	7.9ft. (2.41m)	8.4ft. (2.56m)	9.0ft. (2.74m)	9.7ft. (2.95m)	10.5ft. (3.20m)	X		
	92ft. (28.0m)	7.0ft. (2.1m)	7.2ft. (2.19m)	7.4ft. (2.26m)	7.7ft. (2.35m)	7.9ft. (2.41m)	8.3ft. (2.53m)	8.8ft. (2.68m)	9.4ft. (2.86m)	10.1ft. (3.07m)	10.9ft. (3.32m)	X	
	96ft. (29.3m)	7.0ft. (2.1m)	7.2ft. (2.19m)	7.4ft. (2.26m)	7.7ft. (2.35m)	7.9ft. (2.41m)	8.2ft. (2.50m)	8.7ft. (2.65m)	9.2ft. (2.80m)	9.9ft. (3.02m)	10.7ft. (3.26m)	X	
	100ft. (30.5m)	7.0ft. (2.1m)	7.2ft. (2.19m)	7.4ft. (2.26m)	7.6ft. (2.32m)	7.8ft. (2.38m)	8.1ft. (2.47m)	8.6ft. (2.62m)	9.2ft. (2.80m)	9.9ft. (3.02m)	10.6ft. (3.23m)	X	

(FC)

3.4 선단 추락 안전 거리: 이 지침에서 다루는 SRD 모델에는 선단에 사용할 수 있는 모델이 포함됩니다. SRD-LE(선단 보호 자동 감김 장치)는 SRD 또는 구멍줄이 선단과 접촉할 수 있는 경우에 사용해야 합니다. 이 경우 다른 SRD 유형을 사용하지 마십시오.

- A. 유의 사항:** SRD-LE를 사용할 때 준수해야 하는 특별한 유의 사항이 있습니다. SRD-LE 사용을 계획할 때 이 지침에 명시된 SRD-LE에 대한 모든 요구 사항을 고려하십시오.
- 사용자는 표 1의 SRD-LE 모델에 대해 지정된 중량 요구 사항을 준수해야 합니다.
 - SRD-LE는 추락 시 구멍줄이 90도 미만의 각도로 선단을 통과하지 않도록 설치해야 합니다. 그림 6을 참조하십시오.
 - 작업자가 추락할 수 있는 모서리와 같은 높이 또는 그보다 높은 곳에 앵커리지 지점을 설치합니다. 앵커리지 지점이 모서리보다 아래에 있으면 구멍줄이 90도 미만의 각도로 방향을 전환하기 때문에 위험합니다. 그림 6을 참조하십시오.
 - 구성 선이 구조의 날카롭거나 울퉁불퉁하거나 거친 가장자리에 닿을 가능성이 있는 방향으로 장치를 사용하면 위험하며 이런 식의 사용은 최후의 수단으로만 허용되어야 합니다.
 - 앵커리지 지점의 반대쪽에 있는 개구부의 맞은편에서 작업하지 마십시오.
 - SRD-LE를 사용하려면 특별한 구조 절차가 필요할 수 있습니다.
 - 선단이 있는 경우에는 SRD-LE와 함께 D링 확장선을 사용하지 마십시오.
- B. 날카로운 모서리 테스트:** 이 지침에 명시된 SRD-LE 모델은 수평 사용 및 버(burr)가 없는 강철 모서리 낙하 테스트를 성공적으로 통과했습니다. 따라서 이러한 SRD-LE 모델을 유사한 상황에서 사용할 수 있습니다. 필수 셋백 거리를 포함하여 이러한 모델의 사용에 필요한 모든 요구 사항을 준수해야 합니다. SRD-LE가 SRD보다 내성이 높지만, 사용자는 구멍줄이 날카로운 모서리와 거친 표면에 지속적으로 또는 반복적으로 긁히는 곳에서는 최대한 작업을 피해야 합니다.
- C. 추락 안전 거리 요구 사항:** SRD-LE 모델에는 준수해야 하는 자체 추락 안전 거리 요구 사항이 있습니다. 선단이 있는 경우에는 표준 추락 안전 거리 차트 대신 SRD-LE 추락 안전 거리 차트를 사용해야 합니다. SRD-LE 추락 안전 거리 차트를 SRD-LE를 대신하여 사용하는 것은 아닙니다.

그림 6 - 방향 전환 각도



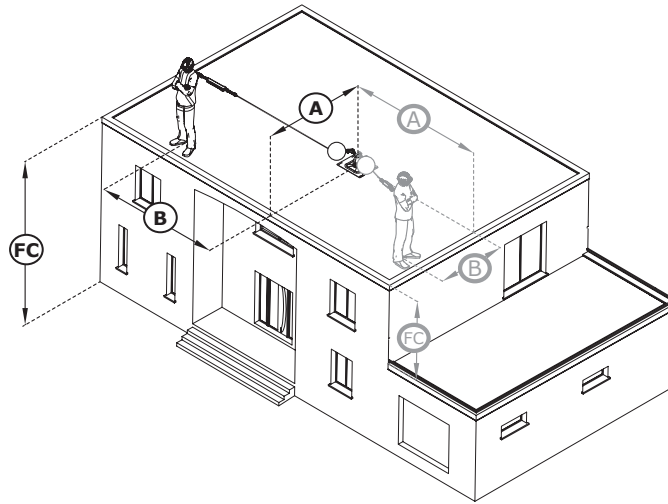
추락 안전 거리 차트 - 선단이 있는 장치(SRD-LE)

필수 추락 안전 거리는 아래 차트에 나와 있습니다. 필수 추락 안전 거리를 계산하려면 다음을 따릅니다.

1. 보유 중인 제품 유형과 일치하고 통합 중량에 맞는 중량을 포함하는 추락 안전 거리 차트를 선택하십시오.
2. 하위 시스템의 셋백 거리(A)를 결정합니다. 셋백 거리는 앵커리지 연결 지점에서 작업 플랫폼의 가장자리까지의 거리입니다.
3. 하위 시스템의 수평 거리(B)를 결정합니다. 수평 거리는 앵커리지 연결 지점 맞은편 가장자리 지점에서 작업 영역의 가장 먼 범위와 같은 가장자리 지점까지의 거리입니다.
4. 셋백 거리(A)와 수평 거리(B)를 계산한 다음, 추락 안전 거리 차트의 (A)와 (B)를 사용하여 필요한 추락 안전 거리(FC)를 결정하십시오.

사용자가 측정된 (A) 및 (B)의 값이 표에 나열된 값과 일치하지 않는 경우 사용자는 그다음으로 높은 값으로 반올림해야 합니다. 더 높은 값이 없는 경우 사용자는 계획한 앵커리지 높이 또는 셋백 거리를 더 낮은 값으로 줄여야 합니다.

사용자 작업 반경의 최대 범위를 결정하려면 사용자에게 가까운 쪽의 각 선단에 대해 이러한 단계를 반복해야 할 수 있습니다.



사용자 체중: 130~310lb. (59~140kg)	B								
	0ft(0.00m)	2ft(0.61m)	5ft(1.52m)	10ft(3.05m)	15ft(4.57m)	20ft(6.1m)	25ft(7.62m)	>25ft(>7.62m)	
A	2ft(0.61m)	18.1ft(5.51m)	18.9ft(5.76m)						
	5ft(1.52m)	18.1ft(5.51m)	18.5ft(5.63m)	20.2ft(6.15m)					
	10ft(3.05m)	18.1ft(5.51m)	18.3ft(5.57m)	19.3ft(5.88m)	22.2ft(6.76m)				
	15ft(4.57m)	18.1ft(5.51m)	18.2ft(5.54m)	18.9ft(5.76m)	21.1ft(6.43m)	24.3ft(7.40m)			
	20ft(6.1m)	18.1ft(5.51m)	18.2ft(5.54m)	18.7ft(5.69m)	20.5ft(6.24m)	23.1ft(7.04m)	26.4ft(8.04m)		
	25ft(7.62m)	18.1ft(5.51m)	18.2ft(5.54m)	18.6ft(5.66m)	20.0ft(6.09m)	22.3ft(6.79m)	25.1ft(7.65m)		
	30ft(9.14m)	18.1ft(5.51m)	18.2ft(5.54m)	18.5ft(5.63m)	19.7ft(6.00m)	21.6ft(6.58m)	24.2ft(7.37m)		
	35ft(10.67m)	18.1ft(5.51m)	18.2ft(5.54m)	18.5ft(5.63m)	19.5ft(5.94m)	21.2ft(6.46m)	23.4ft(7.13m)		
	40ft(12.19m)	18.1ft(5.51m)	18.1ft(5.51m)	18.4ft(5.60m)	19.3ft(5.88m)	20.8ft(6.33m)	22.8ft(6.94m)		
	50ft(15.24m)	18.1ft(5.51m)	18.1ft(5.51m)	18.3ft(5.57m)	19.1ft(5.82m)	20.3ft(6.18m)	22.0ft(6.70m)		
	55ft(16.76m)	18.1ft(5.51m)	18.1ft(5.51m)	18.3ft(5.57m)	19.0ft(5.79m)	20.1ft(6.12m)	21.6ft(6.58m)		
	60ft(18.29m)	18.1ft(5.51m)	18.1ft(5.51m)	18.3ft(5.57m)	18.9ft(5.76m)	19.9ft(6.06m)	21.3ft(6.49m)		
	60ft(18.29m)	18.1ft(5.51m)	18.1ft(5.51m)	18.3ft(5.57m)	18.9ft(5.76m)	19.8ft(6.03m)	21.1ft(6.43m)		
70ft(21.34m)	18.1ft(5.51m)	18.1ft(5.51m)	18.3ft(5.57m)	18.8ft(5.73m)	19.7ft(6.00m)	20.9ft(6.36m)			
	FC								

3.5 앵커리지에 연결: 그림 7은 일반적인 SRD 앵커리지 연결을 보여줍니다. 앵커리지(A)는 자유 낙하 및 스윙 추락 위험을 최소화하기 위해 머리 바로 위에 있어야 합니다(섹션 3.3.B 참조). 표 1에 정의된 정하중을 견딜 수 있는 앵커리지를 선택하십시오. 시스템 및 제품 구성에 따라 사용자는 SRD의 상단 커넥터(B)를 앵커리지 구조물에 직접 고정하거나 앵커리지 커넥터 또는 앵커리지 연결 지점 사이에 고정할 수 있습니다.

3.6 하네스에 연결: 하네스와 SRD를 연결하는 방법은 하네스와 사용되는 부착 요소에 따라 다릅니다. 그림 8을 참조하십시오. 고정하려면 SRD의 하단 커넥터(A)를 전신 하네스의 부착 요소(B)에 연결합니다. 사용할 수 있는 부착 요소에 대한 자세한 내용은 하네스 제조업체 지침을 참조하십시오.

"제품 개요"에는 SRD 모델을 사용할 수 있는 추락 보호 용도가 나와 있습니다. 하네스를 사용할 때 이러한 요구 사항을 준수하는지 확인하십시오. 추락 방지 용도로 사용할 때는 전신 하네스가 필요합니다.

3.7 삼각대 장착: 그림 13은 Protecta 삼각대에 SRD-R 모델을 설치하는 방법을 보여줍니다. SRD-R은 삼각대의 한쪽 다리에 장착되고 구멍줄은 삼각대 헤드의 도르래 시스템을 통과합니다. 자세한 내용은 삼각대 및 장착 브래킷에 대한 제조업체 지침을 참조하십시오.

3.8 모듈식 SRL-LE: SRL 모델 3590298은 에너지 흡수 장치와 케이블 구멍줄 사이의 모듈식 커넥터가 포함된 LE SRL입니다. 모듈식 커넥터(I)는 그림 2.4에서 확인할 수 있습니다. 모듈식 커넥터를 사용하면 에너지 흡수 장치를 SRL에서 분리할 수 있습니다. 모듈식 커넥터를 사용하면 전신 하네스 등쪽 D링과 SRL 스냅 후크 사이에 별도의 D링 확장선을 사용할 필요가 없습니다. 에너지 흡수 장치는 사용자의 등에 댈 수 있으며 사용자는 모듈식 커넥터를 사용하여 SRL 구멍줄을 분리할 수 있습니다. 장치의 추락 방지 기능이 사용된 경우 전체 장치(3590298) 사용을 즉시 중단하고 "사용할 수 없음"으로 표시한 다음 섹션 5 및 6의 지시대로 검사하고 수리해야 합니다.

모듈식 구성 요소 조립: (그림 14 참조)

1단계: 에너지 흡수 장치의 암 커넥터와 구멍줄 수 커넥터의 방향을 조정합니다. 모듈식 커넥터가 있는 SRL-LE 모델에는 에너지 흡수 장치 모델 1340151만 사용하십시오. 에너지 흡수 장치 모델 1340151은 이 사용자 지침에 명시된 Protecta SRD-LE 모듈식 모델에만 사용하도록 승인되어 있습니다. 다른 SRD와 사용하지 마십시오.

2단계: 커넥터 양쪽에 있는 암 커넥터 잠금장치(C)를 눌러 장치의 잠금을 해제하십시오. 수 커넥터를 삽입해 암 커넥터의 하단으로 밀어 넣습니다. 양쪽 잠금장치를 모두 해제하여 수 커넥터를 제어합니다. 암 커넥터 잠금장치는 완전히 확장된 위치로 돌아가야 합니다.

3단계: 에너지 흡수 장치와 구멍줄을 반대 방향으로 당겨 수 커넥터를 단단하게 고정합니다. 수 커넥터는 표시된 위치에 단단히 고정되어야 합니다.

4.0 사용

4.1 매번 사용하기 전에: 작업 공간과 추락 보호 시스템이 이 지침에 정의된 모든 기준을 충족하는지 확인하십시오. 공식적인 구조 계획이 마련되어 있는지 확인하십시오. "검사 및 유지보수 로그"에 정의된 '사용자' 검사 포인트에 따라 제품을 검사하십시오. 검사 결과 안전하지 않거나 결함이 있는 상태가 나타나거나 안전한 사용을 위한 상태에 의심이 가는 경우 즉시 제품을 서비스에서 제거하십시오. 제품에 "사용 금지"라는 태그를 명확하게 표시하십시오. 자세한 정보는 섹션 5를 참조하십시오.

4.2 추락 후: 이 장비의 추락 방지 기능이 사용되었거나 충격을 받는 경우 즉시 사용을 중단하십시오. "사용 금지"라는 태그를 명확하게 표시하십시오. 자세한 정보는 섹션 5를 참조하십시오.

4.3 작동: 작업자는 SRD를 사용하기 전에 SRD를 앵커리지 연결 지점과 전신 하네스의 부착 요소에 고정해야 합니다. 고정이 완료되면 작업자는 안전한 작업 영역 내에서 정상 속도로 이동할 수 있습니다. 사용하는 동안에는 항상 SRD 구멍줄이 제어를 통해 장치로 되돌아갈 수 있도록 하십시오.

4.4 태그라인: 작업 현장 및 시스템 구성에 따라 사용자가 SRD의 앵커 포인트에 도달하지 못할 수도 있습니다. 이러한 상황에서는 태그라인이 필요할 수 있습니다. 태그라인은 SRD의 하단 커넥터를 통과하여 본체에 다시 가는 긴 코드입니다. 이러한 방식으로 연결하면, 사용자는 태그라인을 당겨 SRD의 하단 커넥터를 올리거나 내릴 수 있습니다.

늘어진 태그라인의 끝 부분이 다른 작업자, 장비 또는 기계와 얽히지 않도록 합니다. 필요한 경우 늘어진 태그라인의 끝 부분을 제한합니다.

4.5 회수 작업: SRD-R의 회수 크랭크를 사용하여 매달린 작업자를 올리거나 내릴 수 있습니다. 회수 크랭크를 사용하려면 먼저 회수 모드를 시작한 다음 크랭크를 돌려야 합니다. 그림 12를 참조하십시오. 회수 모드를 활성화하고 회수 크랭크를 사용하려면 다음 단계를 따릅니다.

1. 크랭크 핸들을 당겨서 회수 크랭크를 해제합니다.
2. 크랭크 핸들을 SRD 본체에서 결합 위치로 뒤집습니다.
3. 잠금 해제 위치에서 시프트 노브를 당긴 상태로 유지합니다.
4. 크랭크 암을 밀어 넣고 당겼던 시프트 노브를 원래대로 놓아 회수 모드를 시작합니다. 필요한 경우 크랭크 암을 시계 방향으로 돌려 기어가 맞물리도록 하십시오.
5. 회수 크랭크를 돌려 매달린 작업자를 올리거나 내립니다.
 - A. 올리려면: 회수 크랭크를 시계 반대 방향으로 돌립니다.
 - B. 내리려면: 먼저 회수 크랭크를 시계 반대 방향으로 돌려 추락 방지 제동기를 해제합니다. 그런 다음 회수 크랭크를 시계 방향으로 돌려 작업자를 내립니다.

구멍줄이 팽팽하게 당겨진 상태에서 회수 모드를 작동하지 마십시오. 구멍줄이 끝까지 감기거나 풀리는 즉시 크랭크 회전을 중지하십시오.

구조 크랭크는 구조 시에만 사용합니다. 다른 용도로 사용하지 마십시오.

3M SRD-R에는 작동부 구성 요소와 매달린 사람에게 가해지는 힘을 제한하기 위한 과부하 클러치가 포함되어 있지 않습니다. 회수 모드에서 구멍줄이 느슨해지지 않도록 하십시오. 연결된 작업자가 회수 중 장애물에 걸리면 크랭크 회전을 중단해 작업자에게 과도한 힘이 가해지지 않도록 하십시오.

구멍줄을 내리거나 풀려면 최소 33.9kg(75lb.)의 하중이 필요합니다. 중량에 적재할 때 회수 시스템을 가동하려면 30lb.(0.13kN)의 힘이 필요합니다.

4.6 회수 모드 해제: SRD-R은 사용 후 항상 회수 모드에서 해제해야 합니다. 회수 모드를 해제하려면 다음 단계를 따릅니다.

회수 모드가 해제되면 구명줄이 SRD 하우징으로 완전히 들어가야 합니다. 부상을 방지하려면 구명줄을 계속 제어하거나 연결을 해제하기 전에 구명줄을 감으십시오.

1. 구명줄에 가해지는 모든 하중을 제거합니다.
2. 잠금 해제 위치에서 시프트 노브를 당긴 상태로 유지합니다.
3. 크랭크 암을 당겨 분리한 다음 시프트 노브를 놓습니다.
4. 크랭크 핸들을 당겨서 SRD 본체 쪽 아래로 회전시켜 보관 위치로 되돌립니다.

4.7 수평 시스템과 함께 사용: 이 지침에 명시된 SRD는 수평 구명줄(HLL) 시스템 및 수평 레일 시스템과 같은 수평 시스템과 함께 사용할 수 있습니다. SRD와의 호환성에 대한 자세한 내용은 수평 시스템의 제조업체 지침을 참조하십시오. SRD는 두 제품 모두 이러한 사용을 허용하는 경우에만 수평 시스템과 함께 사용할 수 있습니다.

이 지침에 나와 있는 필수 추락 안전 거리는 고정된 앵커리지 지점의 사용을 기준으로 합니다. 이러한 값은 제품이 수평 구명줄(HLL) 시스템과 함께 사용되는 경우 적용되지 않습니다. 해당 시스템과 관련된 추락 안전 거리 차트 또는 이 지침의 차트를 사용하기 전에 고려해야 할 추가 요소에 대해서는 HLL 시스템의 제조업체 지침을 참조하십시오.

5.0 검사

사용이 중단된 장비는 유자격자의 서면 확인이 있을 때까지 다시 사용할 수 없습니다.

- 5.1 검사 빈도:** 사용자는 제품을 사용하기 전에 매번 제품을 검사해야 하며 최소 연 1회는 사용자가 아닌 유자격자가 제품을 검사해야 합니다. 장비의 사용 빈도가 높고 조건이 더 열악하면 유자격자가 더 자주 검사해야 할 수 있습니다. 이러한 검사의 빈도는 작업장의 특정 조건에 따라 유자격자가 결정해야 합니다.
- 5.2 검사 절차:** "검사 및 유지보수 기록"에 나열되어 있는 절차에 따라 제품을 검사합니다. 각 검사의 문서는 이 장비의 소유자가 유지 관리해야 합니다. 검사 및 유지보수 로그는 제품 근처에 비치하거나 사용자가 쉽게 접근할 수 있어야 합니다. 제품에 다음 또는 마지막 검사 날짜를 표시하는 것이 좋습니다.
- 5.3 결함:** 기존 결함이나 안전하지 않은 상태로 인해 제품을 다시 사용할 수 없는 경우 폐기하거나 3M 또는 3M 공인 서비스 센터에서 수리를 받아야 합니다.
- 5.4 제품 수명:** 제품의 기능적 수명은 작업 환경이나 유지보수에 따라 결정됩니다. 제품이 검사 항목을 통과하는 한 사용 가능합니다.

6.0 유지보수, 서비스 및 보관

유지보수가 필요하거나 유지보수가 예정된 장비에는 "사용 금지"라는 태그가 지정되어야 합니다. 이러한 장비 태그는 유지보수가 수행될 때까지 제거되지 않아야 합니다.

- 6.1 세척:** 자동 감김 장치의 세척 절차는 다음과 같습니다.
- 물과 중성 세제를 사용하여 SRD 외부에 주기적으로 세척하십시오. 고인 물이 빠지도록 자동 감김 장치의 위치를 잡아줍니다. 필요한 경우 라벨을 청소합니다.
 - 물과 중성 세제를 사용하여 구명줄을 세척합니다. 행군 후 완전히 건조합니다. 열로 건조시키지 마십시오. 먼지, 페인트 등이 과도하게 쌓이면 구명줄이 하우징으로 완전히 다시 감기지 않아 추락 위험이 발생할 수 있습니다. 먼지, 페인트 등이 과도하게 쌓이면 구명줄을 교체하십시오.
- 6.2 서비스:** 3M이나 3M의 서면 승인을 받은 업체만 이 장비를 수리할 수 있습니다. SRD를 분해하거나 부품에 윤활유를 바르지 마십시오.
- 6.3 보관 및 운반:** 제품을 보관하거나 이동할 경우 직사광선을 피해 서늘하고, 건조하고, 깨끗한 환경에 보관하십시오. 화학 증기가 있을 수 있는 곳은 피하십시오. 장기 보관 후에는 구성 요소를 면밀히 검사하십시오.

그림 7 - 앵커리지에 연결

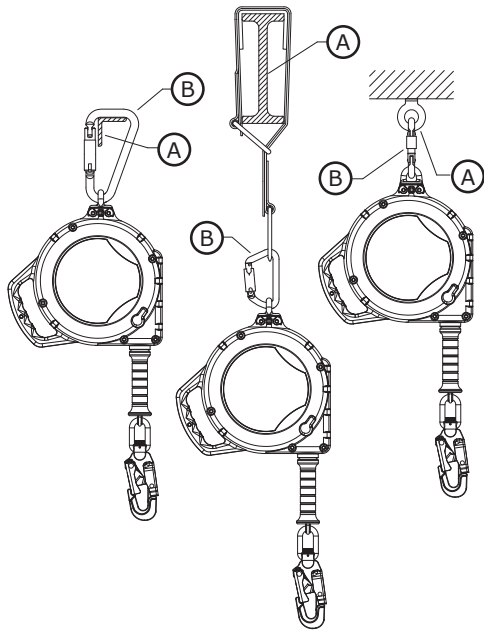


그림 8 - 하네스에 연결

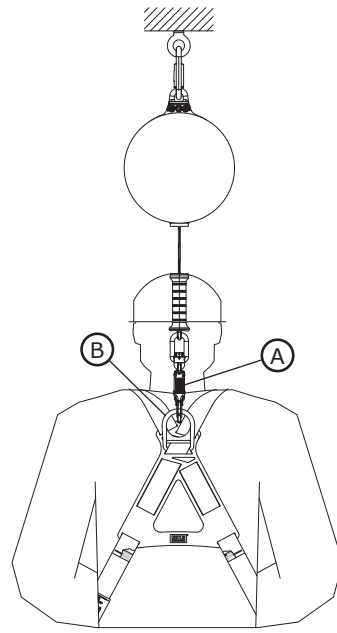
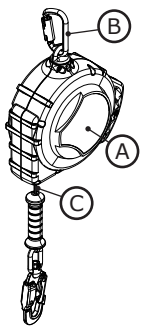
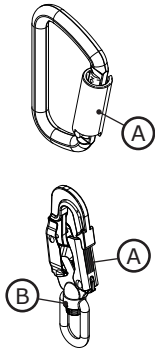


그림 9 - SRD 검사

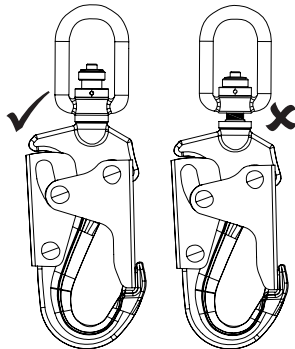
1



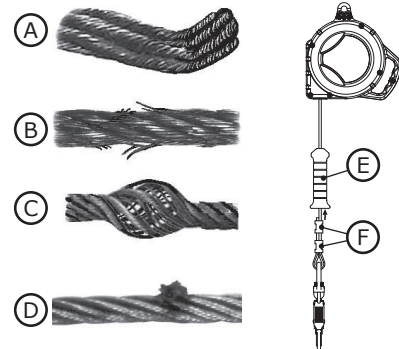
2



3



4



5

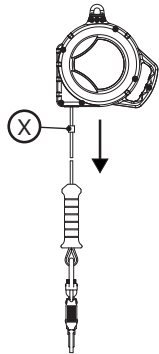


그림 10 - SRD-LE 검사

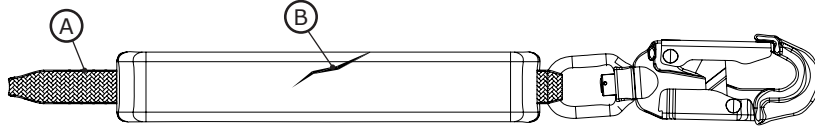


그림 11 - SRD-R 검사

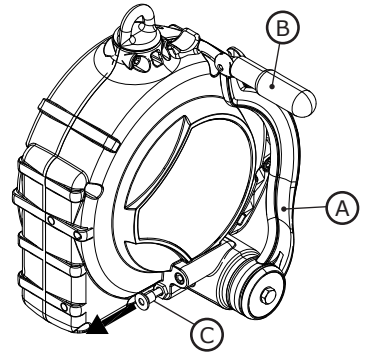


그림 12 - 회수 작업

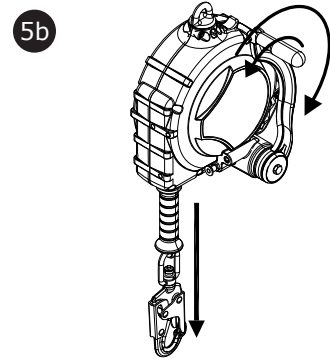
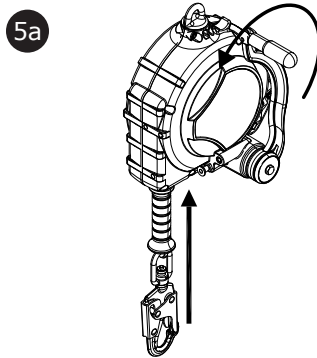
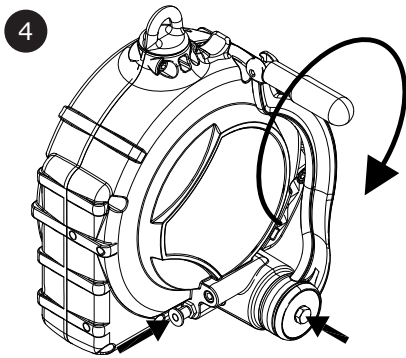
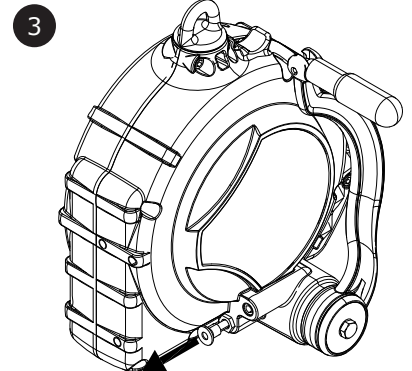
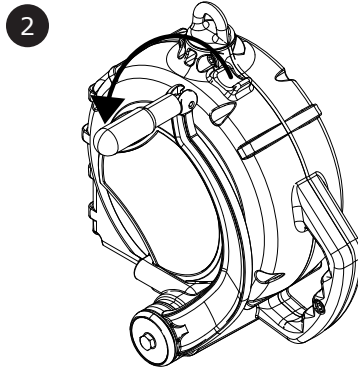
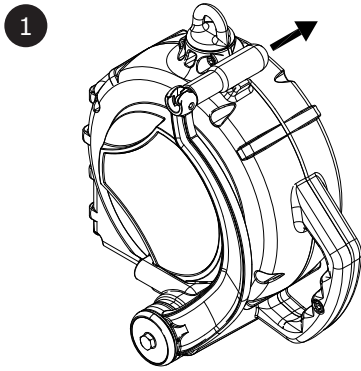


그림 13 - 삼각대 장착

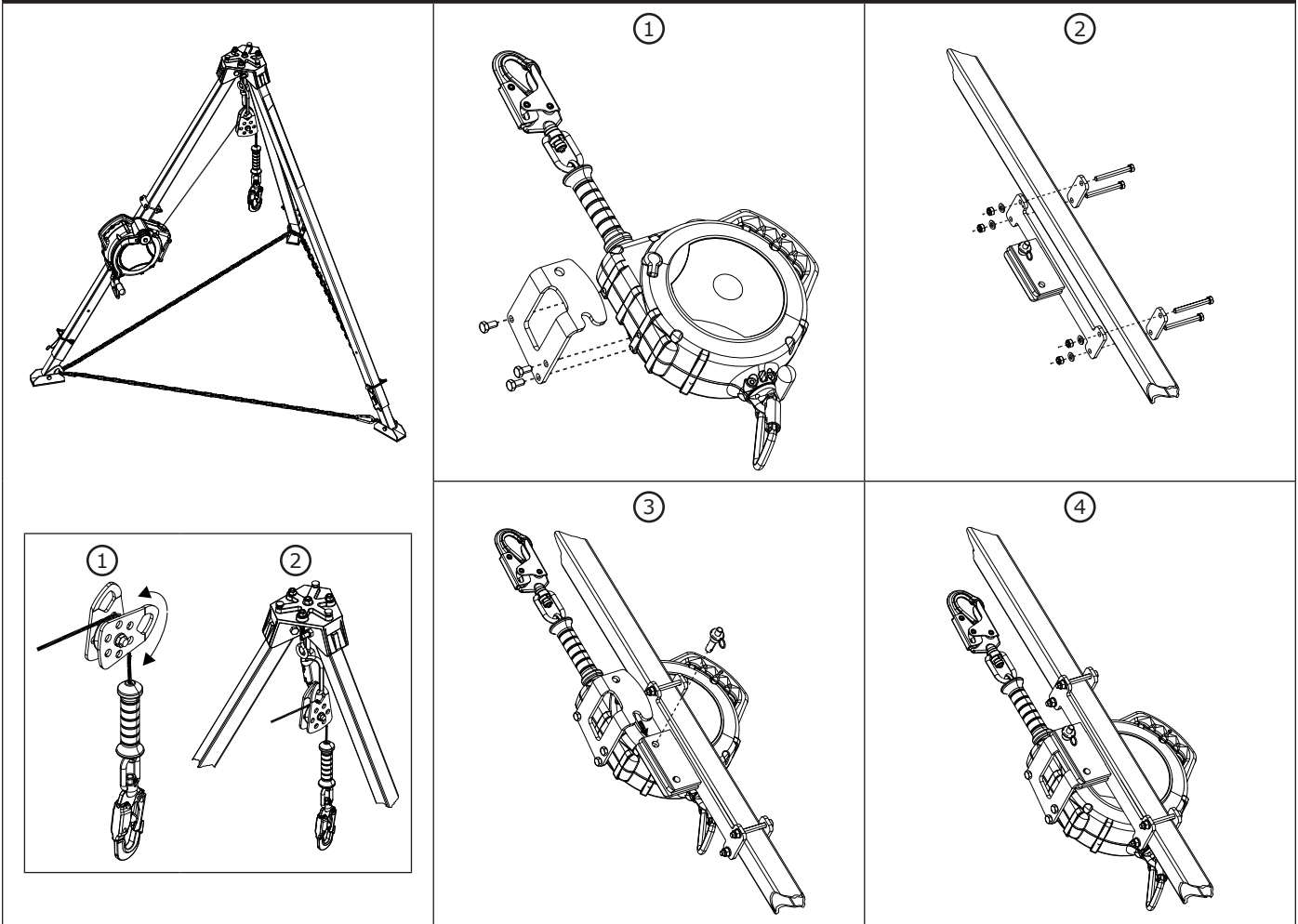
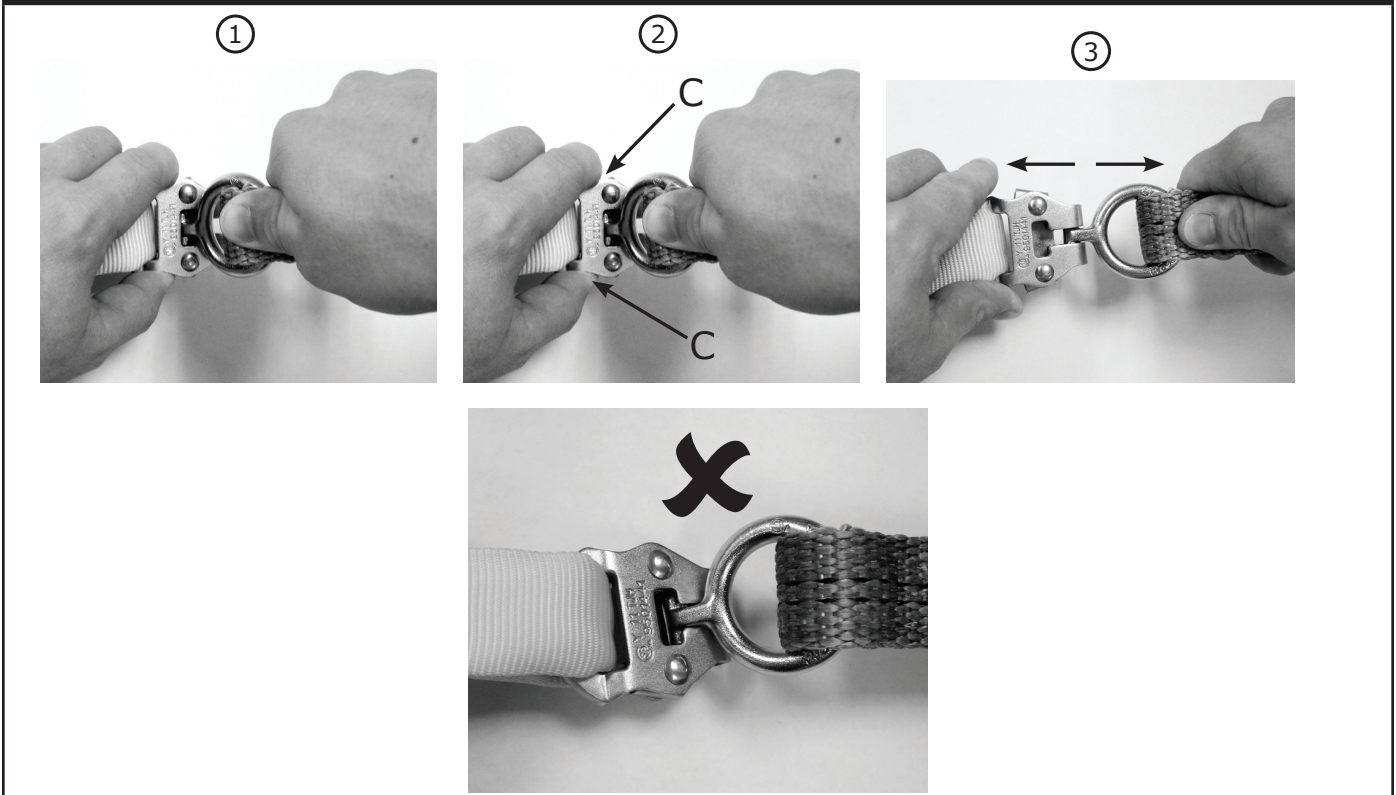


그림 14 - 모듈식 커넥터



7.0 라벨 및 마킹

7.1 라벨: 그림 15는 SRD에 부착된 라벨을 보여줍니다. 라벨이 사라졌거나 라벨 전문을 읽을 수 없는 경우 라벨을 교체해야 합니다. 각 라벨에 제공되는 정보는 다음과 같습니다.

라벨 이미지는 대표 이미지입니다. 자세한 정보는 각 제품 라벨을 참조하십시오.

A	<ol style="list-style-type: none"> 1) 검사내역 2) 후크의 노출된 컬러 밴드는 충격 하중을 나타내므로 사용을 중단해야 합니다 3) 이 라벨을 제거하지 마십시오 4) 중량 5) 최대 정지력 6) 평균 정지력 7) 최대 추락 방지 거리 8) 충격 하중 9) 제조일(년, 월) 10) 재료 사양 11) 작업 길이 12) 모델 번호 13) 검사 기록 14) 다음 서비스
B	<ol style="list-style-type: none"> 1) 추락 안전 거리 표 2) 사용하기 전에 지침을 읽으십시오 3) 모서리에 적재하지 마십시오 4) 검사 기록 5) 이 라벨을 제거하지 마십시오 6) 검사내역 7) 제조일(년, 월) 8) 재료 사양 9) 작업 길이 10) 일련번호 11) 전체 길이 12) 중량 13) 최대 정지력 14) 평균 정지력 15) 최대 추락 방지 거리
C	<ol style="list-style-type: none"> 1) 모듈식 SRD ID 라벨
D	<ol style="list-style-type: none"> 1) 경고:승인된 LE SRL 모델 3590298에만 사용하십시오. 지침을 참조하십시오.
E	<ol style="list-style-type: none"> 1) 검사내역 2) 사용하기 전에 지침을 읽으십시오 3) 모서리에 적재하지 마십시오 4) 중량 5) 작업 길이 6) 제조일(년, 월) 7) 로트 번호 8) 모델 번호 9) 일련번호 10) 전체 길이 11) 검사 기록 12) 다음 서비스 13) 충격 하중 14) 이 라벨을 제거하지 마십시오.
F	<ol style="list-style-type: none"> 1) 내리려면 시계 방향으로 돌립니다. 2) 올리려면 시계 반대 방향으로 돌립니다.
G	<ol style="list-style-type: none"> 회수 작업의 지침은 섹션 4.5를 참조하십시오.

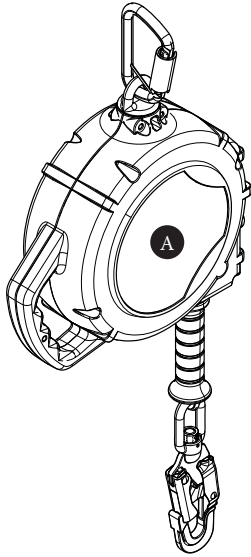
8.0 용어집

8.1 정의: 이 지침에서는 다음 용어와 정의를 사용합니다.

포괄적인 용어 및 정의 목록을 보려면 다음 웹사이트를 방문하십시오. www.3m.com/FallProtection/ifu-glossary

- **허가자:** 추락 위험에 노출된 사람이 있는 위치에서 직무를 수행하도록 고용주가 지정한 사람.
- **유자격자:** 직원에게 불결하거나 유해하거나 위험한 주변 또는 작업 조건의 기존 및 예측 가능한 위험을 정의하고 이를 제거할 빠른 시정 조치를 취할 권한이 있는 사람.
- **추락 방지 시스템:** 사용자가 추락할 경우 사용자를 보호하도록 구성된 다양한 추락 보호 장비.
- **적격자:** 인정되는 학위, 수료증 또는 전문 자격을 갖춘 사람 또는 광범위한 지식, 교육 및 경험을 통해 해당 국가, 지역 및 현지 규정에서 요구하는 수준까지 추락 보호 및 구조 시스템과 관련된 문제를 해결하거나 처리하는 능력을 입증하여 자격을 갖춘 사람.
- **구조 요원:** 지원 구조를 수행하기 위해 구조 시스템을 사용하는 사람.
- **구속 시스템:** 사용자가 추락의 위험이 있는 지점까지 가지 못하도록 구성된 다양한 추락 보호 장비. 자유 낙하는 허용되지 않음.
- **사용자:** 추락 보호 시스템으로 보호받으며 활동하는 사람.

그림 15 - 제품 라벨



A

3M PROTECTA
3M.com/FallProtection
Lifeline: 5 mm (3/16 in) 7 x 19 galvanized cable (G) or stainless steel cable (S).

USE: Anchorage strength requirement 22kN (5000 lb). Attach SRL directly to anchorage using supplied connector, as directly above work area as possible to reduce swing fall hazard. Do not work above anchorage level. Minimum clearance required equals 5ft. Additional clearance is required for swing fall situations. See user manual for further fall clearance guidance. Full body harness required for use with this device. Avoid lifeline contact with sharp edges and abrasive surfaces. Single user only. Capacity includes clothing, tools, and equipment. For use by trained persons only. This unit is suitable for use with horizontal lifelines. See user manual for additional information including suitability for horizontal use. Contact 3M Fall Protection with any questions about the proper use of this product. SRL with Retrieval: A maximum force of 14 kg (30 lb) is required to raise/lower user. To lower a user after a fall, first raise slightly to disengage locking mechanism.

1 **INSPECTION:** Before each use, and at least annually, inspect in accordance with the User Manual including locking function (pull sharply to test), retraction, lifeline condition, function and condition of connector, housing and fasteners, legibility of labels, and any evidence of defects, damage or missing parts. Inspection by a competent person required at least annually. See User Manual. Do not use if inspection reveals an unsafe condition. Not user repairable.

2 **WARNING:** Read instructions before use. Manufacturer's instructions supplied with this product must be followed for proper use. Failure to follow instructions may result in serious injury or death. This device shall be removed from service when the impact indicator is deployed. Do not allow slack in line while in rescue mode.

3 **DO NOT REMOVE THIS LABEL**

4 **INSPECTION LOG**

DATE	INITIAL	Next Service

5 **Material:** _____

6 **Working Length:** _____

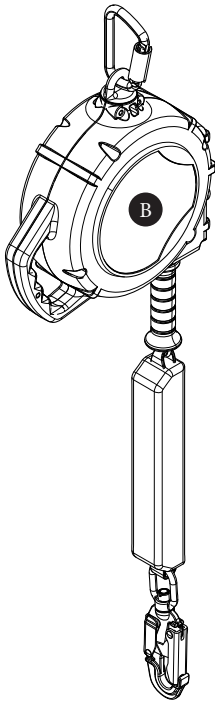
7 **Serial No.:** _____

8 **Overall Length:**

	ANSI Z359 Series	OSHA	OSHA
Capacity	130 lbs. - 310 lbs. (59 kg - 140 kg)	130 lbs. - 310 lbs. (59 kg - 140 kg)	311 lbs. - 420 lbs. (141 kg - 190 kg)
Max arresting force	1,350 lbf (6 kN)	1,350 lbf (6 kN)	1,350 lbf (6 kN)
Avg arresting force	1,125 lbf (5 kN)	900 lbf (4 kN)	900 lbf (4 kN)
Max arresting distance	42 in. (1.1 m)	42 in. (1.1 m)	42 in. (1.1 m)
Max Free Fall	2 ft (0.6 m)	2 ft (0.6 m)	2 ft (0.6 m)

920119 Rev. C

ANSI 1800
ANSI 1350



B

3M PROTECTA
3M.com/FallProtection
Lifeline: 6 mm (7/32 in) 7 x 19 galvanized cable (G), Nylon & polyester energy absorber.

USE: Anchorage strength requirement 22 kN (5000 lb). Attach SRL directly to anchorage using supplied connector or as directly above work area as possible to reduce swing fall hazard. Full body harness required for use with this device. Users over 310 lbs. (141 kg) must not use this device in sharp leading edge application. Capacity includes clothing, tools, and equipment. For use by trained persons only. This unit is suitable for use with horizontal lifelines. See user manual for additional information including suitability for horizontal use. Contact 3M Fall Protection with any questions about proper use of this product.

1 **INSPECTION:** Before each use, and at least annually, inspect in accordance with the User Manual including locking function (pull sharply to test), retraction, lifeline condition, function and condition of connector, housing and fasteners, legibility of labels, and any evidence of defects, damage or missing parts. Inspection by a competent person required at least annually. Remove from service if inspection reveals ruptured or torn webbing extending from the lead indicator cover or exposed color band on hook. Do not use if inspection reveals an unsafe condition. Not user repairable. See User Manual.

2 **WARNING:** Read instructions before use. Manufacturer's instructions supplied with this product must be followed for proper use. Failure to follow instructions may result in serious injury or death. This device shall be removed from service when the impact indicator is deployed.

3 **DO NOT REMOVE THIS LABEL**

4 **INSPECTION LOG**

DATE	INITIAL	Next Service

5 **Material:** _____

6 **Working Length:** _____

7 **Serial No.:** _____

8 **Overall Length:**

	ANSI Z359 Series	OSHA	OSHA
Capacity	130 lbs. - 310 lbs. (59 kg - 140 kg)	130 lbs. - 310 lbs. (59 kg - 140 kg)	130 lbs. - 310 lbs. (59 kg - 140 kg)
Max arresting force	1,800 lbf (8 kN)	1,350 lbf (6 kN)	1,800 lbf (8 kN)
Avg arresting force	1,350 lbf (6 kN)	900 lbf (4 kN)	N/A
Max arresting distance	42 in. (1.1 m)	42 in. (1.1 m)	42 in. (1.1 m)
Free LE	5 ft (1.5 m)	5 ft (1.5 m)	5 ft (1.5 m)

920120 Rev. C

OSHA 1열: 20 & 33
OSHA 2열: 50 & 66

C 모듈식 SRD 3590298 전용:

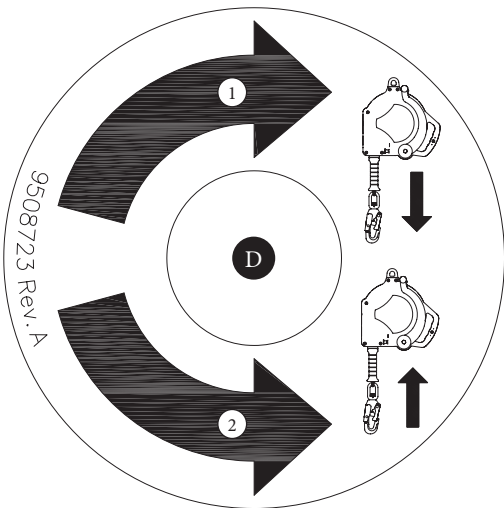
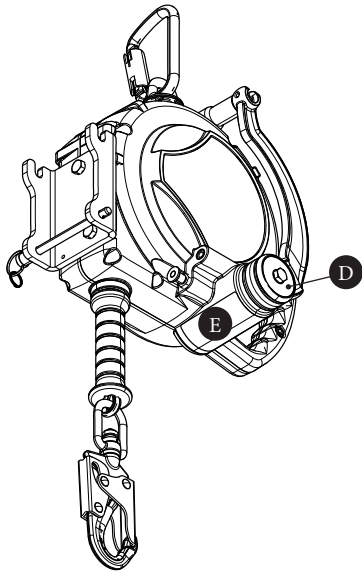
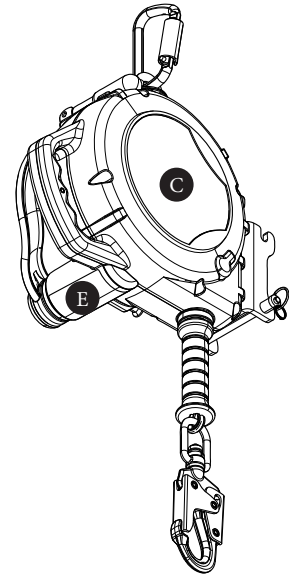
WARNING:
Use only with approved LE SRL model 3590298
See Instructions.

MFRD (YRIMO): LOT: MODULAR CONNECTOR MODEL NO:

D 모듈식 SRD 3590298 전용:

WARNING:
Use only with approved LE SRL modular energy absorber 1340151
See Instructions.

DO NOT REMOVE TAG



3M.com/FallProtection

Lifeline: 5 mm (3/16 in) 7 x 19 galvanized cable (G) or stainless steel cable (S).

USE: Anchorage strength requirement 22kN (5000 lb). Attach SRL directly to anchorage using supplied connector, as directly above work area as possible to reduce swing fall hazard. Do not work above anchorage level. Minimum clearance required equals 6ft. Additional clearance is required for swing fall situations. See user manual for further fall clearance guidance. Full body harness required for use with this device. Avoid lifeline contact with sharp edges and abrasive surfaces. Single user only. Capacity includes clothing, tools, and equipment. For use by trained persons only. This unit is suitable for use with horizontal lifelines. See user manual for additional information including suitability for horizontal use. Contact 3M Fall Protection with any questions about the proper use of this product.

INSPECTION: Before each use, and at least annually, inspect in accordance with the User Manual including locking function (pull sharply to test), retraction, lifeline condition, function and condition of connector, housing and fasteners, legibility of labels, and any evidence of defects, damage or missing parts. Inspection by a competent person required at least annually. In Canada this device shall be returned to the manufacturer or approved service agent no more than 2 years after the date of manufacture for inspection and maintenance, and annually thereafter. See User Manual. Do not use if inspection reveals an unsafe condition. Not user repairable.

WARNING: Read instructions before use. Manufacturer's instructions supplied with this product must be followed for proper use. Failure to follow instructions may result in serious injury or death. This device shall be removed from service when the impact indicator is deployed.

3

4 Material:

5 Working Length:

6 Mfd. (yr, mo):

7 Lot:

8 Model No:

9 Serial No:

10 Overall Length:

ANSI 2159 Series		OSHA	
Capacity	1,350 lbf (6 kN) (59 kg - 140 kg)	1,350 lbf (6 kN) (59 kg - 140 kg)	1,311 lbf (6 kN) (141 kg - 191 kg)
Max arresting force	1,800 lbf (8 kN)	1,350 lbf (6 kN)	1,350 lbf (6 kN)
Avg. arresting force	1,350 lbf (6 kN)	900 lbf (4 kN)	N/A
Max arresting distance	42 in. (1.1 m)	42 in. (1.1 m)	42 in. (1.1 m)
Max Fm	2 ft (0.6 m)	2 ft (0.6 m)	2 ft (0.6 m)

11

INSPECTION LOG	
DATE	INITIAL

12 Next Service

13 Exposed color band on hook indicates impact loading and device must be removed from service.

9520121 Rev. C

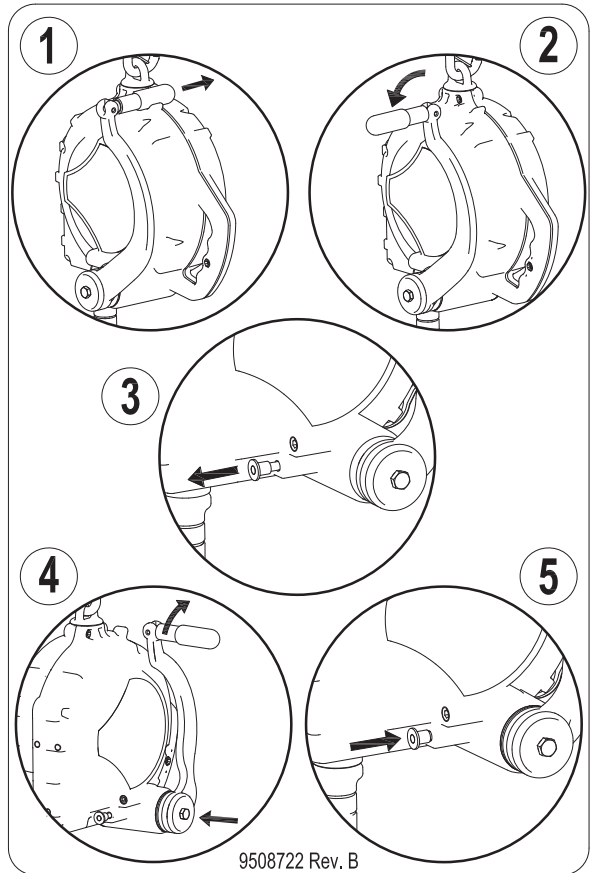


표 2 - 검사 및 유지보수 기록

모델 번호(일련 번호):					
구매 날짜:		처음 사용 날짜:			
...					
<input checked="" type="checkbox"/> 이 제품은 사용하기 전마다 사용자가 검사해야 합니다. 또한 사용자가 아닌 유자격자가 최소 1년에 한 번 장비를 검사해야 합니다.					
...					
구성 요소	검사 절차	검사 결과			
		합격		불합격	
SRD - 일반 (그림 9.1)	헐거워진 볼트, 구부러지거나 손상된 부품이 있는지 검사합니다.	<input type="checkbox"/>	<input type="checkbox"/>	<input type="checkbox"/>	<input type="checkbox"/>
	하우징(A)에 변형, 균열 또는 기타 손상이 있는지 검사합니다.	<input type="checkbox"/>	<input type="checkbox"/>	<input type="checkbox"/>	<input type="checkbox"/>
	스위블 아이(B)에 왜곡, 균열 또는 기타 손상이 있는지 검사합니다. 스위블 아이는 SRD에 단단히 부착되어야 합니다. 하지만 자유롭게 회전할 수 있어야 합니다.	<input type="checkbox"/>	<input type="checkbox"/>	<input type="checkbox"/>	<input type="checkbox"/>
	구명줄(C)은 걸림이나 늘어짐 없이 완전히 풀리거나 되감겨야 합니다.	<input type="checkbox"/>	<input type="checkbox"/>	<input type="checkbox"/>	<input type="checkbox"/>
	구명줄이 심하게 흔들릴 때 장치가 제대로 잠기는지 확인하십시오. 미끄러짐 없이 잘 잠겨야 합니다.	<input type="checkbox"/>	<input type="checkbox"/>	<input type="checkbox"/>	<input type="checkbox"/>
	전체 장치에 부식의 징후가 있는지 확인합니다.	<input type="checkbox"/>	<input type="checkbox"/>	<input type="checkbox"/>	<input type="checkbox"/>
커넥터 (그림 9.2)	모든 SRD 커넥터에 손상 및 부식 징후가 있는지 검사합니다. 모든 커넥터가 제대로 작동하는지 확인합니다. 존재하는 경우, 게이트(A)가 제대로 열리고, 닫히고, 잠기고, 잠금 해제되어야 합니다. 스위블 아이(B)는 부드럽게 회전해야 합니다. 잠금 버튼과 핀은 올바르게 작동해야 합니다.	<input type="checkbox"/>	<input type="checkbox"/>	<input type="checkbox"/>	<input type="checkbox"/>
스위블 스냅 후크 및 충격 표시기 (그림 9.3)	충격 표시기를 검사합니다. 빨간색 밴드가 보이고 스위블이 자유롭게 회전하지 않으면 충격 하중이 발생한 것이므로 SRD 사용을 중단해야 합니다. 충격 표시기를 재설정하지 마십시오. 충격 표시기를 재설정하려면 SRD를 공인 서비스 센터로 보내십시오.	<input type="checkbox"/>	<input type="checkbox"/>	<input type="checkbox"/>	<input type="checkbox"/>
와이어 로프 구명줄 (그림 9.4)	와이어 로프에 베인 자국, 꼬인 부분(A), 끊어진 부분(B), 와이어 풀림(C), 용접 된 자국, 부식된 부분, 화학 물질과 접촉한 부분 또는 심하게 마모된 부분(D)이 있는지 검사합니다. 구명줄 범퍼(E)를 위로 밀고 페들(F)이 손상되지 않았는지 검사합니다. 와이어 로프를 1회전하는 동안 끊어진 와이어가 6개 이상 보이거나 와이어 한 가닥에 끊어진 부분이 3곳 이상 보이는 경우 와이어 로프 어셈블리를 교체하십시오. 페들에서 25mm(1in.) 이내에 끊어진 와이어가 있으면 어셈블리를 교체하십시오.	<input type="checkbox"/>	<input type="checkbox"/>	<input type="checkbox"/>	<input type="checkbox"/>
예비 구명줄 (그림 9.5)	예비 구명줄 풀림을 검사합니다. 구명줄이 더 이상 당겨지지 않을 때까지 SRL에서 당겨 빼냅니다. 경고 레이브 또는 빨간색 밴드(X)가 보이면 예비 수명선이 소모된 것이므로 재사용하기 전에 공인 서비스 센터에서 장치를 수리해야 합니다.	<input type="checkbox"/>	<input type="checkbox"/>	<input type="checkbox"/>	<input type="checkbox"/>
SRD-LE(그림 10)	내장 에너지 흡수 장치가 활성화되지 않았는지 확인합니다. 덮개(A)에서 웨빙이 당겨져 나와서는 안 됩니다. 덮개는 고정되어 있어야 하며 찢어진 부분(B) 또는 다른 손상이 없어야 합니다.	<input type="checkbox"/>	<input type="checkbox"/>	<input type="checkbox"/>	<input type="checkbox"/>
SRD-R(그림 11)	크랭크 암(A)에 뒤틀림이나 기타 손상이 있는지 검사합니다. 회수 핸들(B)이 밖으로 접혀서 크랭킹 위치에 고정될 수 있는지 확인하십시오.	<input type="checkbox"/>	<input type="checkbox"/>	<input type="checkbox"/>	<input type="checkbox"/>
	회수 시프트 노브(C)가 잠금 해제 위치로 당겨진 다음 해제되어 크랭크 암이 결합 위치와 분리 위치 모두에 잠길 수 있는지 확인하십시오.	<input type="checkbox"/>	<input type="checkbox"/>	<input type="checkbox"/>	<input type="checkbox"/>
	최소 34kg(75lb.)의 테스트 중량을 올리고 내림으로써 회수 기능이 올바르게 작동하는지 테스트합니다. 회수 핸들을 놓을 때 무게추가 움직이지 않아야 하고 회수 핸들이 제자리에 있어야 합니다. 하중을 늘리면 '딸깍' 소리가 들려야 합니다.	<input type="checkbox"/>	<input type="checkbox"/>	<input type="checkbox"/>	<input type="checkbox"/>
라벨(그림 15)	모든 라벨은 전문을 읽을 수 있는 상태여야 합니다.	<input type="checkbox"/>	<input type="checkbox"/>	<input type="checkbox"/>	<input type="checkbox"/>
추락 보호 장비	제품과 함께 사용되는 추가적인 추락 보호 장비는 제조업체 지침에 따라 설치하고 검사해야 합니다.	<input type="checkbox"/>	<input type="checkbox"/>	<input type="checkbox"/>	<input type="checkbox"/>
...					
<input checked="" type="checkbox"/> 제품이 검사 절차를 통과하지 못하면 전체 검사가 불합격됩니다. 검사에서 불합격된 제품은 즉시 사용을 중단하십시오. 제품에 "사용 금지"라는 태그를 명확하게 표시하십시오. 자세한 정보는 섹션 5를 참조하십시오.					
...					
검사 유형:	<input type="checkbox"/> 사용자	<input type="checkbox"/> 유자격자	전체 검사 결과:	<input type="checkbox"/> 합격	<input type="checkbox"/> 불합격
검사자:			검사일:		
서명:			다음 검사일:		
...					
추가 참고 사항:					



ANSI/ASSP Z359.14-2021
(Clase 1)
(Clase 2)

OSHA 29 CFR 1910.140
OSHA 29 CFR 1926.502

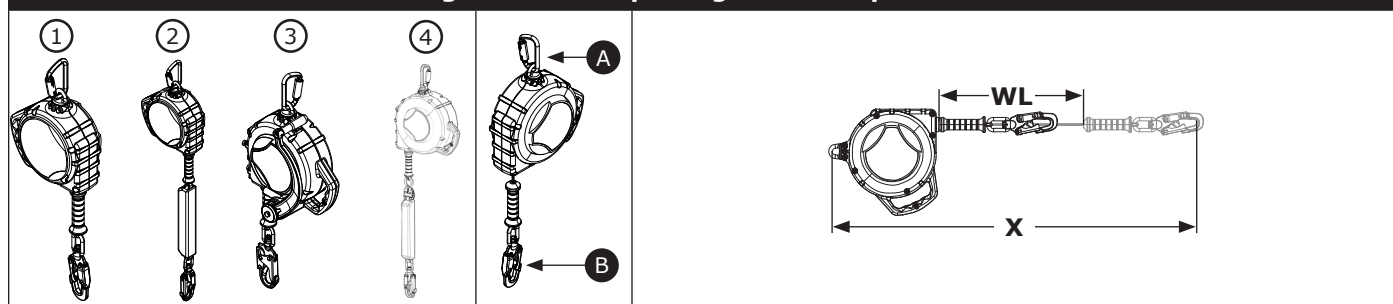
3M™ PROTECTA®
DISPOSITIVO AUTORRETRÁCTIL

INSTRUCCIONES PARA EL USUARIO
5908109 Rev. A

Fall Protection

☑ Para la identificación de los códigos del producto, consulte la Tabla 1. Consulte "Tabla 1: especificaciones del producto" para obtener más información sobre el producto.

Figura 1: Descripción general del producto



Modelo		Conectores		Tamaño de la carcasa	Línea de vida	Longitud extendida (X)	Longitud de trabajo (WL)
		A	B				
3590036	①	C1	C2	Tamaño A	GS2	10 m (33 ft)	9,5 m (31,2 ft)
3590037	①	C1	C2	Tamaño A	SS1	10 m (33 ft)	9,5 m (31,2 ft)
3590035	①	C1	C2	Tamaño A	SS1	6 m (20 ft)	5,6 m (18,2 ft)
3590034	①	C1	C2	Tamaño A	GS2	6 m (20 ft)	5,6 m (18,2 ft)
3590046	②	C1	C2	Tamaño B	GS1	6 m (20 ft)	5,3 m (17,2 ft)
3590047	②	C1	C2	Tamaño C	GS1	10 m (33 ft)	9,2 m (30,1 ft)
3590048	②	C1	C2	Tamaño D	GS1	15 m (50 ft)	14,3 m (47 ft)
3590049	②	C1	C2	Tamaño D	GS1	20 m (66 ft)	19,2 m (63 ft)
3590038	①	C1	C2	Tamaño E	GS2	15 m (50 ft)	14,7 m (48,1 ft)
3590039	①	C1	C2	Tamaño E	SS1	15 m (50 ft)	14,7 m (48,1 ft)
3590040	①	C1	C2	Tamaño G	GS2	20 m (66 ft)	19,5 m (64 ft)
3590041	①	C1	C2	Tamaño G	SS1	20 m (66 ft)	19,5 m (64 ft)
3590042	①	C1	C2	Tamaño G	GS2	26 m (85 ft)	25,3 m (83 ft)
3590043	①	C1	C2	Tamaño G	SS1	26 m (85 ft)	25,3 m (83 ft)
3590044	①	C1	C2	Tamaño G	GS2	30 m (100 ft)	29,9 m (98 ft)
3590045	①	C1	C2	Tamaño G	SS1	30 m (100 ft)	29,9 m (98 ft)
3590050	③	C1	C2	Tamaño F	GS2	15 m (50 ft)	14,7 m (48,1 ft)
3590051	③	C1	C2	Tamaño F	GS2	15 m (50 ft)	14,7 m (48,1 ft)
3590052	③	C1	C2	Tamaño F	GS2	15 m (50 ft)	14,7 m (48,1 ft)
3590053	③	C1	C2	Tamaño F	GS2	15 m (50 ft)	14,7 m (48,1 ft)
3590298	④	C1	C2	Tamaño H	GS1	15 m (50 ft)	14,3 m (46,8 ft)

Lea, comprenda y siga toda la información de seguridad que contienen estas instrucciones antes de utilizar este producto. **NO SEGUIR ESTA INDICACIÓN PUEDE PROVOCAR LESIONES GRAVES O LA MUERTE.**

Estas instrucciones deben proporcionarse al usuario del equipo. Conserve estas instrucciones para futuras consultas.

Uso previsto:

Este producto se utiliza como parte de un sistema completo de protección contra caídas.

El uso en cualquier otra aplicación, incluidas, entre otras, manipulación de materiales, actividades recreativas o deportivas u otras actividades no descritas en estas instrucciones, no está aprobada por 3M y podría provocar lesiones graves o la muerte.

Este producto solo debe ser utilizado por usuarios capacitados en aplicaciones en el lugar de trabajo.



ADVERTENCIA

Este producto se utiliza como parte de un sistema completo de protección contra caídas. Todos los usuarios deben estar completamente capacitados en la instalación y operación seguras de su sistema completo de protección contra caídas. **El mal uso de este producto podría resultar en lesiones graves o la muerte.** Para una selección, operación, instalación, mantenimiento y servicio adecuados, consulte todos los manuales de instrucciones y las recomendaciones del fabricante. Para obtener más información, consulte a su supervisor o comuníquese con servicios técnicos de 3M.

- **Para reducir los riesgos asociados con el uso de un dispositivo autorretráctil que, si no se evitan, podrían provocar lesiones graves o la muerte:**
 - Inspeccione el producto antes de cada uso y después de cualquier caída, de acuerdo con los procedimientos especificados en estas instrucciones.
 - Si la inspección revela una condición insegura o defectuosa, retire el producto del servicio de inmediato y etiquételo claramente como "NO UTILIZAR". Destruya o repare el producto según lo requieran estas instrucciones.
 - Cualquier producto que haya estado sujeto a detención de caídas o fuerza de impacto debe retirarse inmediatamente del servicio. Destruya o repare el producto según lo requieran estas instrucciones.
 - Asegúrese de que los sistemas de protección contra caídas ensamblados a partir de componentes fabricados por diferentes fabricantes sean compatibles y cumplan con todas las normas, estándares o requisitos aplicables de la protección contra caídas. Siempre consulte a una persona competente o calificada antes de usar estos sistemas.
 - Asegúrese de que el producto se mantenga libre de todos los peligros, incluidos, entre otros: enredos con los usuarios, otros trabajadores, maquinaria en movimiento, otros objetos circundantes o impacto de objetos elevados que podrían caer sobre el producto o los usuarios.
 - No retuerza, ate, anude ni permita que la línea de vida quede floja.
 - Evite cualquier riesgo de tropiezos con las patas de la línea de vida. Fije cualquier pata de la línea de vida sin usar a los elementos de parada de la eslinga en el arnés de cuerpo completo, si está presente.
 - No exceda el número de usuarios permitidos especificado en estas instrucciones.
 - no utilice en aplicaciones que tengan una trayectoria de caída obstruida. Se requiere una trayectoria despejada para que el SRD se bloquee. Trabajar sobre materiales que se mueven lentamente (p. ej., arena o granos) o dentro de espacios confinados o limitados, podría no permitir que el trabajador alcance suficiente velocidad para bloquear el SRD.
 - Evite movimientos repentinos o rápidos durante las operaciones de trabajo, ya que esto podría causar que el SRD se bloqueara accidentalmente.
 - Tenga cuidado al instalar, usar o mover el producto, ya que las piezas móviles pueden crear puntos de enganche.
 - Utilice la protección de borde adecuada cuando el producto pueda entrar en contacto con bordes afilados o superficies abrasivas.
 - Asegúrese de que el producto esté configurado e instalado correctamente para un funcionamiento seguro como se describe en estas instrucciones.
 - Retire el producto inmediatamente del servicio si se usó en un descenso.
 - Antes de usar, asegúrese de que la ruta de descenso y el área de aterrizaje estén libre de obstrucciones o peligros.
- **Para reducir los riesgos asociados con el trabajo en altura que, si no se evitan, podrían provocar lesiones graves o la muerte:**
 - Su salud y condición física deben permitirle trabajar en altura de manera segura y resistir todas las fuerzas asociadas con un evento de detención de caída. Consulte a su médico si tiene preguntas sobre su capacidad para usar este equipo.
 - Nunca exceda la capacidad permitida de su equipo de protección contra caídas.
 - Nunca exceda la distancia máxima de caída libre especificada para su equipo de protección contra caídas.
 - No utilice ningún equipo de protección contra caídas que no pase la inspección o si tiene dudas sobre el uso o la idoneidad del equipo. Comuníquese con servicios técnicos de 3M si tiene alguna pregunta.
 - Algunas combinaciones de subsistemas y componentes pueden interferir con el funcionamiento de este equipo. Utilice únicamente conexiones compatibles. Comuníquese con servicios técnicos de 3M antes de usar este equipo en combinación con componentes o subsistemas que no sean los descritos en estas instrucciones.
 - Tome precauciones adicionales cuando trabaje cerca de maquinaria en movimiento, peligros eléctricos, temperaturas extremas, peligros químicos, gases explosivos o tóxicos, bordes afilados, superficies abrasivas o debajo de materiales elevados que podrían caer sobre usted o su equipo de protección contra caídas.
 - Asegúrese de que el uso de su producto esté clasificado para los peligros presentes en su entorno de trabajo.
 - Asegúrese de que haya suficiente espacio libre de caída cuando trabaje en altura.
 - Nunca modifique ni altere su equipo de protección contra caídas. Solo 3M, o las personas autorizadas por escrito por 3M, pueden realizar reparaciones en los equipos de 3M.
 - Antes de usar el equipo de protección contra caídas, asegúrese de que exista un plan de rescate por escrito para proporcionar un rescate rápido si ocurre un incidente de caída.
 - Si ocurre un incidente de caída, busque inmediatamente atención médica para el trabajador caído.
 - Utilice únicamente un arnés de cuerpo completo para aplicaciones de detención de caídas. No utilice un cinturón corporal.
 - Minimice las caídas por balanceo trabajando tan directamente debajo del punto de anclaje como sea posible.
 - Se debe usar un sistema secundario de protección contra caídas al entrenar con este producto. Los alumnos no deben estar expuestos a un peligro de caída no intencionada.
 - Utilice siempre el equipo de protección personal adecuado cuando instale, utilice o inspeccione el producto.
 - Nunca trabaje debajo de una carga o trabajador suspendido.
 - Mantenga siempre un 100 % de conexión.

✓ Siempre asegúrese de estar utilizando la última versión de su manual de instrucciones de 3M. Visite www.3m.com/userinstructions o comuníquese con el Servicio Técnico de 3M para obtener manuales de instrucciones actualizados.

DESCRIPCIÓN GENERAL DEL PRODUCTO:

La Figura 1 ilustra el dispositivo autorretráctil (SRD) 3M™ Protecta®. Los SRD Protecta son líneas de vida de cable enrolladas en tambor que se retraen en carcasas termoplásticas o de aluminio.

Los siguientes tipos de SRD se incluyen en este manual de instrucciones:

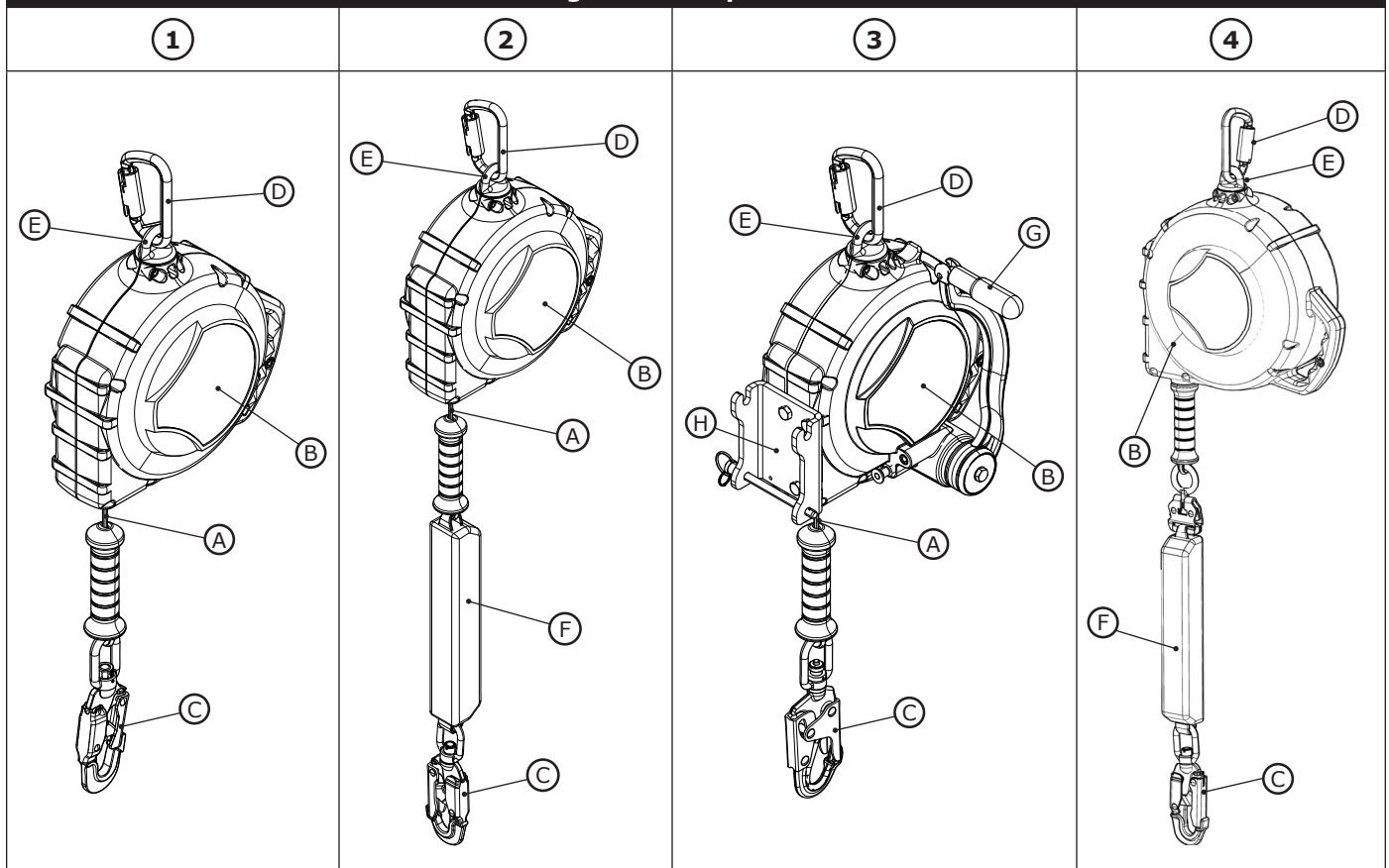
- **Dispositivo autorretráctil Clase 1 (Figuras 1.1, 2,1):** Los dispositivos autorretráctiles (SRD) son adecuados para aplicaciones en las que la línea de vida permanece generalmente vertical durante el uso. Este tipo se puede usar para aplicaciones de detención de caídas o de restricción.
- **Dispositivo autorretráctil Clase 2 con borde abierto (Figura 1.2, 2,2):** Los dispositivos autorretráctiles con borde abierto (SRD-LE) son adecuados para aplicaciones en las que la línea de vida permanece generalmente horizontal durante el uso. Los SRD-LE tienen un absorbedor de energía integral para resistir la carga de impacto del anticaídas sobre un borde afilado o abrasivo durante la detención de caídas, y minimizar las fuerzas de detención de caídas en el usuario. Este tipo se puede usar para aplicaciones de detención de caídas o de restricción.
- **Dispositivo autorretráctil Clase 1 con rescate (Figuras 1.3, 2,3):** Los dispositivos autorretráctiles con rescate (SRD-R) incluyen un medio integral para rescate asistido al elevar o bajar al sujeto de rescate. Este tipo se puede usar para aplicaciones de detención de caídas, restricción o rescate.

La Figura 2 identifica los componentes clave de los modelos disponibles del SRD. En un SRD estándar, la línea de vida (A) se extiende y retrae desde dentro de la carcasa (B). El conector principal (D) montado en el SRD asegura el SRD al punto de anclaje y se conecta al SRD mediante el ojal de giro libre (E). El conector inferior (C) está fijo en el extremo de la línea de vida y se sujeta al elemento de conexión de detención de caídas de cuerpo entero del usuario. Los absorbedores de energía (F) disipan energía cinética y limitan la fuerza de desaceleración durante la detención de caída.

Los modelos de SRD en estas instrucciones incluyen algunos componentes adicionales. La manija de rotación (G) se utiliza para recuperar la línea de vida (A) después de que el conector inferior (C) se fija al arnés del sujeto de rescate. El soporte superior (H) permite que el SRD-R pueda montarse en un trípode durante su uso.

Cada modelo de producto tiene su tamaño particular y su propia combinación de componentes según se menciona en la Figura 1. Consulte la Tabla 1 para obtener más información sobre las especificaciones de los componentes.

Figura 2: componentes



Antes de utilizar este equipo, anote la información de identificación del producto de la etiqueta de identificación en la "Hoja de registro de inspección y mantenimiento" al final de este manual.

Tabla 1 – Especificaciones del producto

Especificaciones del sistema:

Anclaje:	Los requisitos de la estructura de anclaje varían según la aplicación del sistema y si se trata de un anclaje certificado o no certificado. La estructura de anclaje debe soportar cargas estáticas aplicadas en las direcciones permitidas por el sistema de protección contra caídas.			
	Aplicación del sistema	Anclaje certificado	Anclaje no certificado	Definido por
	Detención de caídas	Dos veces la fuerza de detención máxima	5000 lbf (22,2 kN)	OSHA, ANSI
	Restricción	Dos veces la fuerza previsible	1000 lbf (4,4 kN) según ANSI 5000 lbf (22,2 kN) según OSHA	OSHA, ANSI
	Rescate	Cinco veces la carga aplicada	3000 lbf (13,3 kN)	ANSI
	Cuando se fija más de un sistema a un anclaje, las resistencias indicadas anteriormente deben multiplicarse por el número de sistemas fijados al anclaje. Consulte la norma ANSI Z359.2 para obtener más información.			
	<input checked="" type="checkbox"/> El anclaje debe ser aprobado por una persona calificada.			
Temperatura de servicio:	Entre -40 °C y 54,4 °C (entre -40 °F y 130 °F)			
Normativas:	Cada modelo del producto cuenta con la certificación de las normativas y las reglamentaciones aplicables indicadas en la Figura 1 o cumple con estas. Si no se especifica ninguna, entonces se aplican todas las normativas y las reglamentaciones indicadas en la portada.			
Capacidad:	Consulte las tablas de rendimiento para conocer la capacidad del producto. La capacidad nominal aplica al uso del producto en todas las aplicaciones compatibles, a menos que se indique lo contrario. Este producto es para uso de un usuario con un peso combinado (incluida ropa, herramientas, etc.) dentro del rango de capacidad aplicable.			

Especificaciones de los componentes:

Referencia de la Figura 2	Componente	Materiales
(A)	Línea de vida	(consulte las especificaciones de la línea de vida)
(B)	Carcasa	Aluminio
(C)	Conector inferior	(consulte las especificaciones del conector)
(D)	Conector superior	(consulte las especificaciones del conector)
(E)	Ojal de giro	Acero
(F)	Absorbedor de energía	Cubierta de goma con línea de vida de poliéster
(G)	Manija de rotación	Acero
(H)	Soporte	Acero inoxidable
(I)	Conector modular	Acero zincado
---	Tambor	Aluminio

Componentes internos: Los componentes internos del SRD están hechos de una combinación de acero inoxidable, acero y aluminio.

Especificaciones del conector:

Figura 1 Referencia	Número de modelo	Descripción	Material	Abertura de la compuerta	Resistencia de la compuerta
C1	2000112	Mosquetón	Acero	17 mm (11/16 in.)	3600 lbf (16 kN)
C2	2000175	Gancho de seguridad de giro libre con cierre automático	Acero zincado	19 mm (3/4 in.)	3600 lbf (16 kN)

Resistencia a la tracción: La resistencia a la tracción de cada uno de los conectores mencionados anteriormente es de 22,2 kN (5000 lbf).

Conectores modulares:

Modelo SRD	Absorbedor modular de energía	Componente de conexión	
		Anillo en D	Hebilla
3590298	1340151	9506214	9501441

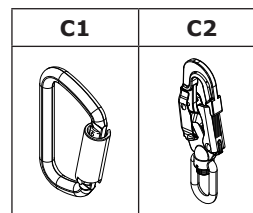


Tabla 1 – Especificaciones del producto

Especificaciones de la línea de vida:	
Referencia de la Figura 1	Descripción
GS1	Cable de acero galvanizado de 5,56 mm (7/32 in.)
GS2	Cable de acero galvanizado de 4,76 mm (3/16 in.)
SS1	Cable de acero inoxidable de 4,76 mm (3/16 in.)

Rendimiento - SRD	Modelos ANSI	Modelos OSHA	Modelos OSHA
Rango de capacidad:	130 lb. - 310 lb. (59 kg - 140 kg)	130 lb. - 310 lb. (59 kg - 140 kg)	311 lb. - 420 lb. (141 kg - 191 kg)
Fuerza máxima de detención:	1800 lbf (8 kN)	1350 lbf (5 kN)	1350 lbf (5 kN)
Fuerza de detención promedio:	1350 lbf (5 kN)	900 lbf (4 kN)	N/A
Distancia máxima de detención: <i>*Supone que el SRD se monta directamente encima del usuario.</i>	1,1 m (42 in.)	1,1 m (42 in.)	1,1 m (42 in.)
Separación de caída mínima requerida: <i>*Supone que el SRD se monta directamente encima del usuario.</i>	1,8 m (6 ft)	1,8 m (6 ft)	2,1 m (7 ft)
Caída libre máxima: <i>*El SRD debe montarse por encima del anillo en D del usuario.</i>	0,6 m (2 ft)	0,6 m (2 ft)	0,6 m (2 ft)

Rendimiento - SRD-LE 20 ft y 33 ft	Modelos ANSI	Modelos OSHA
Rango de capacidad:	130 lb - 310 lb (59 kg - 140 kg)	130 lb - 310 lb (59 kg - 140 kg)
Fuerza máxima de detención:	1800 lbf (8 kN)	1350 lbf (5 kN)
Fuerza de detención promedio:	1350 lbf (5 kN)	900 lbf (4 kN)
Distancia máxima de detención: <i>*Supone que el SRD se monta directamente encima del usuario.</i>	1,1 m (42 in.)	1,1 m (42 in.)
Separación de caída mínima requerida:	Vertical: 1,8 m (6 ft) Horizontal: 5,5 m (18,1 ft)	Vertical: 1,8 m (6 ft) Horizontal: 5,5 m (18,1 ft)
Caída Libre Máxima: <i>*El SRD debe montarse por encima del anillo en D del usuario.</i>	0,6 m (2 ft)	0,6 m (2 ft)
Caída libre máxima - LE: <i>*Medido desde el anillo en D del usuario hasta la superficie de trabajo.</i>	1,5 m (5 ft)	---

Rendimiento - SRD-LE 50 ft, 66 ft, y modular	Modelos ANSI	Modelos OSHA
Rango de capacidad:	130 lb - 310 lb (59 kg - 140 kg)	130 lb - 310 lb (59 kg - 140 kg)
Fuerza máxima de detención:	1800 lbf (8 kN)	1800 lbf (8 kN)
Fuerza de detención promedio:	1350 lbf (5 kN)	N / A
Distancia máxima de detención: <i>*Supone que el SRD se monta directamente encima del usuario.</i>	1,1 m (42 in.)	1,1 m (42 in.)
Separación de caída mínima requerida:	Vertical: 1,8 m (6 ft) Horizontal: 5,5 m (18,1 ft)	Vertical: 1,8 m (6 ft) Horizontal: 5,5 m (18,1 ft)
Caída Libre Máxima: <i>*El SRD debe montarse por encima del anillo en D del usuario.</i>	0,6 m (2 ft)	0,6 m (2 ft)
Caída libre máxima - LE: <i>*Medido desde el anillo en D del usuario hasta la superficie de trabajo.</i>	1,5 m (5 ft)	---

Tabla 1 – Especificaciones del producto

Rendimiento - SRD-R	Modelos ANSI	Modelos OSHA	Modelos OSHA
Rango de capacidad:	130 lb. - 310 lb. (59 kg - 140 kg)	130 lb. - 310 lb. (59 kg - 140 kg)	311 lbs. - 420 lbs. (141 kg - 191 kg)
Fuerza máxima de detención:	1350 lbf (6 kN)	1350 lbf (6 kN)	1350 lbf (5 kN)
Fuerza de detención promedio:	1125 lbf (5 kN)	900 lbf (4 kN)	900 lbf (4 kN)
Distancia máxima de detención: <i>*Supone que el SRD se monta directamente encima del usuario.</i>	1,1 m (42 in.)	1,1 m (42 in.)	1,1 m (42 in.)
Separación de caída mínima requerida: <i>*Supone que el SRD se monta directamente encima del usuario.</i>	1,8 m (6 ft)	1,8 m (6 ft)	2,1 m (7 ft)
Caída libre máxima: <i>*El SRD debe montarse por encima del anillo en D del usuario.</i>	0,6 m (2 ft)	0,6 m (2 ft)	0,6 m (2 ft)
Capacidad de elevación máxima:	310 lb (140 kg)	310 lb (140 kg)	420 lb (191 kg)

Dimensiones:

Figura 1 Referencia	Der.	W	D	
Tamaño A	57,2 cm (22,5 in.)	24,9 cm (9,8 in.)	11,7 cm (4,6 in.)	
Tamaño B	106,7 cm (42,0 in.)	24,9 cm (9,8 in.)	11,7 cm (4,6 in.)	
Tamaño C	106,7 cm (42,0 in.)	28,3 cm (11,1 in.)	11,7 cm (4,6 in.)	
Tamaño D	116,8 cm (46,0 in.)	32,8 cm (12,9 in.)	14,0 cm (5,5 in.)	
Tamaño E	60,5 cm (23,8 in.)	28,3 cm (11,1 in.)	11,7 cm (4,6 in.)	
Tamaño F	60,5 cm (23,8 in.)	28,3 cm (11,1 in.)	17,8 cm (7,0 in.)	
Tamaño G	65,3 cm (25,7 in.)	32,8 cm (12,9 in.)	14,0 cm (5,5 in.)	
Tamaño H	125,1 cm (49,3 in.)	32,8 cm (12,9 in.)	14,0 cm (5,5 in.)	

1.0 APLICACIÓN DEL PRODUCTO

- 1.1 PROPÓSITO:** los dispositivos autorretráctiles (SRD, por sus siglas en inglés) de 3M están diseñados para usar como subsistema de conexión en un sistema de protección contra caídas. Una vez anclada, la línea de vida se extiende y retrae automáticamente a medida que el trabajador se mueve. Si se produce una caída, un mecanismo sensor activa el dispositivo y detiene la caída. Para obtener más información sobre las aplicaciones del sistema, consulte la "Descripción general del producto" y la Tabla 1.
- 1.2 SUPERVISIÓN:** una persona competente debe supervisar el uso de este equipo.
- 1.3 NORMATIVAS:** su producto cumple con las normativas nacionales o regionales identificadas en la portada de estas instrucciones. Si el producto se vuelve a vender fuera del país de destino original, el revendedor debe proporcionar estas instrucciones en el idioma del país en el que se utilizará el producto.

Para obtener más información sobre los requisitos de cumplimiento o certificación, consulte las normativas aplicables y los reglamentos indicados para su producto (por ejemplo, los códigos de protección contra caídas del Instituto Nacional Estadounidense de Estándares [American National Standards Institute, ANSI] y la Sociedad Estadounidense de Profesionales de la Seguridad [American Society of Safety Professionals, ASSP] Z359).

- 1.4 CAPACITACIÓN:** la instalación y el uso de este equipo deben estar a cargo de personas que hayan recibido la debida capacitación para su aplicación adecuada. Estas instrucciones deben usarse como parte de un programa de capacitación de empleados según lo exigen las normativas locales, regionales y nacionales. Los usuarios y los instaladores de este equipo tienen la responsabilidad de familiarizarse con estas instrucciones, capacitarse en el cuidado y el uso correcto de este y estar informados sobre las características operativas, los límites de aplicación y las consecuencias del uso incorrecto de este equipo.
- 1.5 PLAN DE RESCATE:** cuando utilice este equipo y conecte los subsistemas, el empleador debe contar con un plan de rescate por escrito y los medios para implementar y comunicar el plan a los usuarios, las personas autorizadas y los rescatistas. Se recomienda un equipo de rescate capacitado que se encuentre en el lugar. Los miembros del equipo deben recibir el equipo y las técnicas necesarias para llevar a cabo un rescate exitoso. Se debe proporcionar una capacitación de manera periódica para garantizar la aptitud del rescatista. Los rescatistas deben recibir estas instrucciones. Durante el proceso de rescate, debe haber contacto visual o medios de comunicación en todo momento con la persona que se rescata.

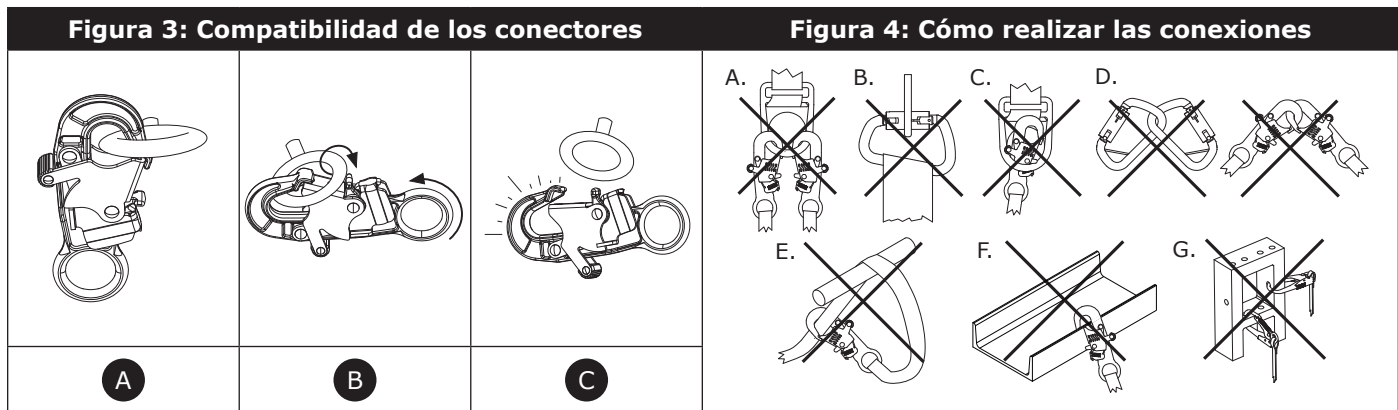
2.0 REQUISITOS DEL SISTEMA

- 2.1 ANCLAJE:** los requisitos de anclaje varían según la aplicación de la protección contra caídas. La estructura de montaje en la que se coloca el equipo debe cumplir con las especificaciones de anclaje definidas en la Tabla 1.
- 2.2 CAPACIDAD:** la capacidad del usuario de un sistema completo de protección contra caídas se limita al componente de capacidad máxima que tenga la calificación más baja. Por ejemplo, si su subsistema de conexión tiene una capacidad que es inferior a su arnés, debe cumplir con los requisitos de capacidad de su subsistema de conexión. Consulte las instrucciones del fabricante correspondientes a cada componente de su sistema para conocer los requisitos de capacidad.
- 2.3 RIESGOS AMBIENTALES:** el uso de este equipo en áreas con riesgos ambientales puede requerir precauciones adicionales para prevenir lesiones al usuario o daños al equipo. Algunos de los peligros son, entre otros: calor extremo, sustancias químicas, ambientes corrosivos, líneas de alta tensión, gases explosivos o tóxicos, maquinaria en movimiento, bordes afilados o materiales ubicados sobre la altura de la cabeza que podrían caer y entrar en contacto con el usuario o el equipo. Comuníquese con el Servicio Técnico de 3M para obtener aclaraciones adicionales.
- 2.4 RIESGOS DE LA LÍNEA DE VIDA:** asegúrese de que la línea de vida se mantenga libre de todos los peligros, incluidos, entre otros: enredos con los usuarios, otros trabajadores, maquinaria en movimiento, otros objetos circundantes o impacto de objetos elevados que podrían caer sobre la línea de vida o los usuarios.
- 2.5 TRAYECTORIA DE CAÍDA Y VELOCIDAD DE BLOQUEO DEL SRD:** no utilice en aplicaciones que tengan una trayectoria de caída obstruida. Se requiere una trayectoria despejada para que el SRD se bloquee. Trabajar sobre materiales que se mueven lentamente (p. ej., arena o granos) o dentro de espacios limitados, podría no permitir que el trabajador alcance suficiente velocidad para bloquear el SRD.
- 2.6 COMPATIBILIDAD DE LOS COMPONENTES:** el equipo de 3M está diseñado para el uso con el equipo de 3M. Una persona competente debe aprobar el uso con equipos que no sean de 3M. Las sustituciones hechas con equipos no aprobados pueden arriesgar la compatibilidad del equipo y afectar la seguridad y la confiabilidad de su sistema de protección contra caídas. Lea y siga toda las instrucciones y las advertencias correspondientes a todo el equipo antes de usarlo.
- 2.7 COMPATIBILIDAD DE LOS CONECTORES:** los conectores son compatibles con los elementos de conexión cuando el tamaño y la forma de los componentes no provocan la apertura accidental del conector, independientemente de la orientación. Los conectores deben cumplir con las normativas aplicables. Los conectores deben estar completamente cerrados y trabados durante el uso.

Los conectores de 3M (ganchos de seguridad y mosquetones) están diseñados para el uso exclusivo que se especifica en cada manual de instrucciones. Asegúrese de que los conectores sean compatibles con los componentes del sistema a los cuales se conectan. No use un equipo que no sea compatible. El uso de conectores que no sean compatibles puede provocar que se desconecte accidentalmente el conector (vea la Figura 3). Si el elemento de conexión al que se fija un conector es más pequeño que lo debido o es de forma irregular, podría surgir una situación en la que el elemento de conexión aplique una fuerza al cierre del conector (A). Esta fuerza podría hacer que se abra el cierre (B) y que se desconecte el conector del elemento de conexión (C).

2.8 CÓMO REALIZAR LAS CONEXIONES: todas las conexiones deben ser compatibles en cuanto a tamaño, forma y resistencia. Vea ejemplos de conexiones incorrectas en la Figura 4. Los ganchos de seguridad y mosquetones no deben conectarse:

- A. A un anillo en D al que se ha fijado otro conector.
- B. De manera tal que se produzca una carga sobre el cierre. Los ganchos de seguridad de garganta grande no se deben conectar a anillos en D de tamaño estándar ni a otros elementos de conexión, a menos que el gancho de seguridad tenga una resistencia del mecanismo de cierre de 16 kN (3600 lb) o superior.
- C. En un enganche falso, en el que el tamaño o la forma del conector o el elemento de conexión no sean compatibles y, sin confirmación visual, parecería estar completamente conectado.
- D. Entre sí.
- E. Directamente a una eslinga de cuerda o tejido trenzado, o material de autoamarre, a menos que en los manuales de instrucciones de la eslinga y del conector se permita expresamente esa conexión.
- F. A ningún objeto cuyo tamaño o forma impidan que el conector esté completamente cerrado y trabado, o que podrían provocar que el conector se deslice.
- G. De modo que impida que el conector se alinee correctamente en condiciones de carga.



3.0 INSTALACIÓN

3.1 ASPECTOS GENERALES: La instalación de este producto requiere planificación eficaz y conocimiento de los requisitos de espacio libre de caída. En el evento de una caída, debe haber suficiente espacio de separación de caída presente para detener al usuario de forma segura.

3.2 PLANIFICACIÓN: planifique el sistema de protección contra caídas antes de comenzar a trabajar. Tenga en cuenta todos los factores que pueden afectar su seguridad antes, durante y después de una caída. Considere todos los requisitos y las limitaciones especificadas en estas instrucciones.

A. BORDES AFILADOS: evite trabajar en sitios donde los componentes del sistema puedan estar en contacto o se raspen con bordes afilados sin protección y superficies abrasivas. Todos los bordes afilados y las superficies abrasivas se deben cubrir con material protector.

Los SRD-LE son los únicos que se pueden usar para aplicaciones con bordes afilados o superficies abrasivas sin protección.

3.3 SEPARACIÓN DE CAÍDA: es fundamental que el usuario esté consciente de la separación de caída y sus requisitos antes de usar este producto.

A. DEFINICIÓN: la separación de caída es la medida de la distancia entre un usuario y la siguiente obstrucción debajo de ellos. Antes del uso de este producto, el usuario debe determinar cuánta separación de caída se necesita para evitar que golpeen una obstrucción en caso de que caigan.

La **separación de caída (FC)** que necesita un usuario es la suma de la **caída libre (FF)**, la **distancia de desaceleración (DD)**, el **estiramiento del arnés (HS)** y un **factor de seguridad (SF)**. Consulte la Figura 5.1 como referencia.

- **La caída libre (FF)** es la distancia que el usuario viaja antes de la activación del dispositivo de desaceleración.
- **La distancia de desaceleración (DD)** es la distancia que el usuario cae, medida desde la activación del dispositivo de desaceleración hasta que se detiene.
- **El estiramiento del arnés (HS)** es la cantidad de holgura que se extiende desde el arnés del usuario cuando este está suspendido por el arnés mediante el elemento de fijación.
- **El factor de seguridad (SF)** es una cantidad fija de distancia que se añade al espacio libre de caída para asegurar la seguridad del usuario.

Es posible que haya factores adicionales que afecten el espacio libre de caída necesario dentro de su sistema de detención de caídas, como la extensión del anillo en D y la desviación del anclaje. Para la cobertura de estos factores y otros que no se mencionaron anteriormente, consulte las instrucciones del fabricante para cada componente de su Sistema de detención de caídas. Cuando se proporcionan, factores adicionales de deben agregar a los valores de espacio libre de caída que se mencionan en estas instrucciones.

B. REQUISITOS DE MINIMIZACIÓN: el usuario siempre debe colocar el sistema de detención de caídas para reducir al mínimo la posibilidad de caídas y la posible distancia de caída. Para mantener los requisitos de espacio libre de caída a un mínimo, se recomienda que el usuario trabaje lo más directamente debajo del punto de anclaje que le sea posible.

- **ALTURA DE ANCLAJE:** La distancia libre de caída requerida (FC) para un usuario aumenta a medida que la altura de anclaje (A) disminuye. El usuario experimenta una mayor cantidad de caída libre cuando está conectado a un punto de anclaje debajo de él, ya que el usuario deberá viajar mucho más si es que cae. consulte la Figura 5.2 como referencia.
- **CAÍDAS POR BALANCEO:** La separación de caída (FC) necesaria para un usuario aumenta a medida que el radio de trabajo del usuario (W) aumenta. Las caídas por balanceo tienen lugar cuando el punto de anclaje no está directamente ubicado por encima del usuario cuando ocurre la caída. Consulte la Figura 5.3 como referencia. La fuerza del golpe contra un objeto en una caída por balanceo puede causar heridas graves o la muerte. No permita que ocurra una caída por balanceo si se puede producir una lesión.

Figura 5: Requisitos de separación de caída

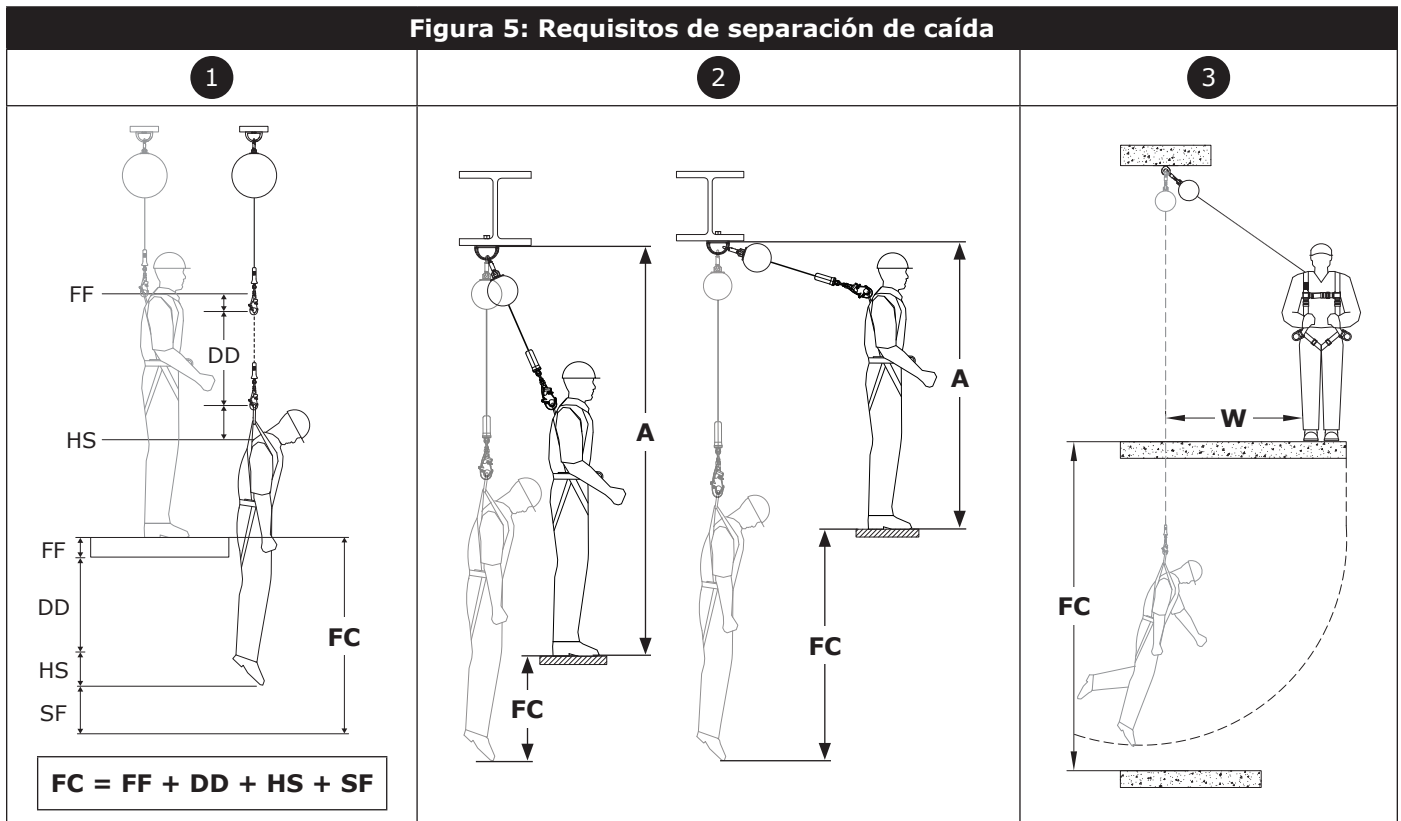


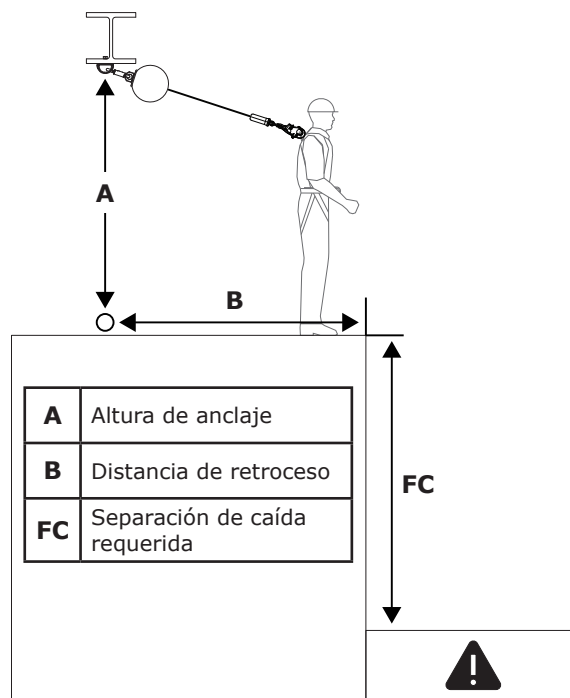
GRÁFICO DE SEPARACIÓN DE CAÍDAS

La separación de caída necesaria se proporciona dentro de las tablas a continuación. Para determinar la separación de caída requerida:

1. Seleccione la tabla de separación que coincida con el tipo de producto e incluya una capacidad adecuada a su peso combinado.
2. Determine la altura de anclaje (A) de su subsistema. La altura de anclaje se mide desde la parte superior de la plataforma de trabajo hasta la parte inferior del punto de conexión de anclaje.
3. Determine la distancia de retroceso (B) de su sistema. La distancia de retroceso se mide desde directamente debajo del punto de conexión de anclaje hasta el borde de la plataforma de trabajo.
4. Después de obtener la altura de anclaje (A) y la distancia de retroceso (B), use (A) y (B) dentro de la tabla de separación de caídas para determinar la separación de caída (FC) que necesita.

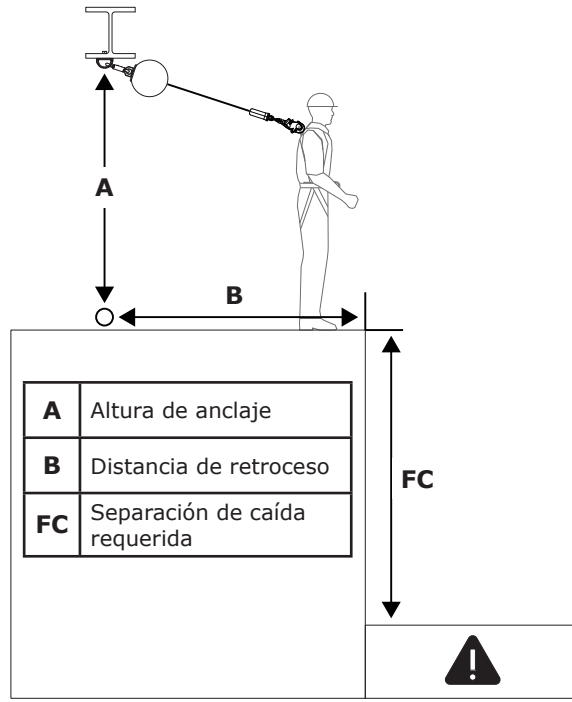
Cuando los valores (A) y (B) que mide el usuario no coinciden con los que se mencionan en la tabla, el usuario debe redondearlos al siguiente valor más alto mencionado. Si no hay un valor más alto mencionado, el usuario debe reducir la altura de anclaje o la distancia de retroceso a un valor menor.

Un factor de seguridad de 0,45 m (1,5 ft) y una altura de usuario de 1,8 m (6,0 ft) se usaron para todos los valores que se mencionan. Estar de rodillas o en cuclillas reducirá la altura eficaz del usuario y requerirá 1,0 m (3,28 ft) de espacio de separación de caída adicional.



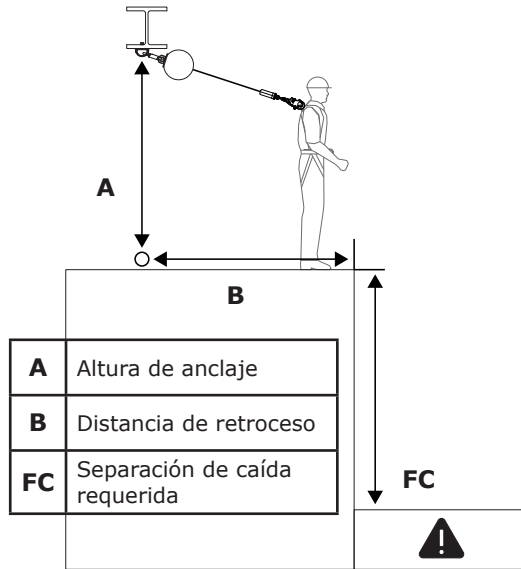
Peso del usuario: 59 - 140 kg (130 - 310 lb)		(B)									
		0 m (0 ft)	0,9 m (3 ft)	1,83 m (6 ft)	2,74 m (9 ft)	3,66 m (12 ft)	4,57 m (15 ft)	5,49 m (18 ft)	6,40 m (21 ft)	7,32 m (24 ft)	8,23 m (27 ft)
(A)	2,40 m (<8 ft)										
	2,40 m (8 ft)	1,83 m (6,0 ft)	2,26 m (7,4 ft)	3,02 m (9,9 ft)							
	3,66 m (12 ft)	1,83 m (6,0 ft)	2,07 m (6,8 ft)	2,56 m (8,4 ft)							
	4,88 m (16 ft)	1,83 m (6,0 ft)	2,04 m (6,7 ft)	2,35 m (7,7 ft)							
	6,10 m (20 ft)	1,83 m (6,0 ft)	1,98 m (6,5 ft)	2,19 m (7,2 ft)	2,62 m (8,6 ft)						
	7,32 m (24 ft)	1,83 m (6,0 ft)	1,98 m (6,5 ft)	2,13 m (7,0 ft)	2,47 m (8,1 ft)	2,93 m (9,6 ft)					
	8,53 m (28 ft)	1,83 m (6,0 ft)	1,95 m (6,4 ft)	2,10 m (6,9 ft)	2,38 m (7,8 ft)	2,74 m (9,0 ft)					
	9,75 m (32 ft)	1,83 m (6,0 ft)	1,95 m (6,4 ft)	2,07 m (6,8 ft)	2,29 m (7,5 ft)	2,62 m (8,6 ft)	3,04 m (10,0 ft)				
	11,0 m (36 ft)	1,83 m (6,0 ft)	1,95 m (6,4 ft)	2,07 m (6,8 ft)	2,26 m (7,4 ft)	2,53 m (8,3 ft)	2,93 m (9,6 ft)				
	12,2 m (40 ft)	1,83 m (6,0 ft)	1,95 m (6,4 ft)	2,04 m (6,7 ft)	2,19 m (7,2 ft)	2,47 m (8,1 ft)	2,80 m (9,2 ft)				

(FC)



Peso del usuario: 59 - 140 kg (130 - 310 lb.)		B									
		0 m (0 ft)	0,9 m (3 ft)	1,83 m (6 ft)	2,74 m (9 ft)	3,66 m (12 ft)	4,57 m (15 ft)	5,49 m (18 ft)	6,40 m (21 ft)	7,32 m (24 ft)	8,23 m (27 ft)
A	13,4 m (44 ft)	1,83 m (6,0 ft)	1,92 m (6,3 ft)	2,04 m (6,7 ft)	2,16 m (7,1 ft)	2,41 m (7,9 ft)	2,71 m (8,9 ft)	3,08 m (10,1 ft)			
	14,6 m (48 ft)	1,83 m (6,0 ft)	1,92 m (6,3 ft)	2,01 m (6,6 ft)	2,13 m (7,0 ft)	2,35 m (7,7 ft)	2,62 m (8,6 ft)	2,96 m (9,7 ft)			
	15,8 m (52 ft)	1,83 m (6,0 ft)	1,92 m (6,3 ft)	2,01 m (6,6 ft)	2,10 m (6,9 ft)	2,29 m (7,5 ft)	2,53 m (8,3 ft)	2,83 m (9,3 ft)			
	17,1 m (56 ft)	1,83 m (6,0 ft)	1,92 m (6,3 ft)	2,01 m (6,6 ft)	2,10 m (6,9 ft)	2,26 m (7,4 ft)	2,50 m (8,2 ft)	2,77 m (9,1 ft)			
	18,3 m (60 ft)	1,83 m (6,0 ft)	1,92 m (6,3 ft)	2,01 m (6,6 ft)	2,10 m (6,9 ft)	2,26 m (7,4 ft)	2,44 m (8,0 ft)	2,71 m (8,9 ft)	3,02 m (9,9 ft)		
	19,5 m (64 ft)	1,83 m (6,0 ft)	1,92 m (6,3 ft)	2,01 m (6,6 ft)	2,07 m (6,8 ft)	2,23 m (7,3 ft)	2,41 m (7,9 ft)	2,68 m (8,8 ft)	2,96 m (9,7 ft)		
	20,7 m (68 ft)	1,83 m (6,0 ft)	1,92 m (6,3 ft)	1,98 m (6,5 ft)	2,07 m (6,8 ft)	2,19 m (7,2 ft)	2,38 m (7,8 ft)	2,62 m (8,6 ft)	2,90 m (9,5 ft)		
	21,9 m (72 ft)	1,83 m (6,0 ft)	1,92 m (6,3 ft)	1,98 m (6,5 ft)	2,07 m (6,8 ft)	2,16 m (7,1 ft)	2,35 m (7,7 ft)	2,56 m (8,4 ft)	2,80 m (9,2 ft)		
	23,2 m (76 ft)	1,83 m (6,0 ft)	1,92 m (6,3 ft)	1,98 m (6,5 ft)	2,07 m (6,8 ft)	2,13 m (7,0 ft)	2,32 m (7,6 ft)	2,53 m (8,3 ft)	2,77 m (9,1 ft)	3,04 m (10,0 ft)	
	24,4 m (80 ft)	1,83 m (6,0 ft)	1,89 m (6,2 ft)	1,98 m (6,5 ft)	2,04 m (6,7 ft)	2,13 m (7,0 ft)	2,29 m (7,5 ft)	2,50 m (8,2 ft)	2,71 m (8,9 ft)	2,99 m (9,8 ft)	
	25,6 m (84 ft)	1,83 m (6,0 ft)	1,89 m (6,2 ft)	1,98 m (6,5 ft)	2,04 m (6,7 ft)	2,13 m (7,0 ft)	2,29 m (7,5 ft)	2,47 m (8,1 ft)	2,68 m (8,8 ft)	2,93 m (9,6 ft)	
	26,8 m (88 ft)	1,83 m (6,0 ft)	1,89 m (6,2 ft)	1,98 m (6,5 ft)	2,04 m (6,7 ft)	2,10 m (6,9 ft)	2,26 m (7,4 ft)	2,44 m (8,0 ft)	2,65 m (8,7 ft)	2,90 m (9,5 ft)	
	28,0 m (92 ft)	1,83 m (6,0 ft)	1,89 m (6,2 ft)	1,95 m (6,4 ft)	2,04 m (6,7 ft)	2,10 m (6,9 ft)	2,23 m (7,3 ft)	2,38 m (7,8 ft)	2,56 m (8,4 ft)	2,77 m (9,1 ft)	3,02 m (9,9 ft)
	29,3 m (96 ft)	1,83 m (6,0 ft)	1,89 m (6,2 ft)	1,95 m (6,4 ft)	2,04 m (6,7 ft)	2,10 m (6,9 ft)	2,19 m (7,2 ft)	2,35 m (7,7 ft)	2,50 m (8,2 ft)	2,71 m (8,9 ft)	2,96 m (9,7 ft)
	30,5 m (100 ft)	1,83 m (6,0 ft)	1,89 m (6,2 ft)	1,95 m (6,4 ft)	2,01 m (6,6 ft)	2,07 m (6,8 ft)	2,16 m (7,1 ft)	2,32 m (7,6 ft)	2,50 m (8,2 ft)	2,68 m (8,8 ft)	2,93 m (9,6 ft)

FC



Peso del usuario: 141 - 190 kg (311 - 420 lb)	B									
	0 m (0 ft)	0,9 m (3 ft)	1,83 m (6 ft)	2,74 m (9 ft)	3,66 m (12 ft)	4,57 m (15 ft)	5,49 m (18 ft)	6,40 m (21 ft)	7,32 m (24 ft)	8,23 m (27 ft)
2,40 m (<8 ft)										
2,40 m (8 ft)	2,1 m (7,0 ft)	2,56 m (8,4 ft)	3,32 m (10,9 ft)							
3,66 m (12 ft)	2,1 m (7,0 ft)	2,38 m (7,8 ft)	2,86 m (9,4 ft)							
4,88 m (16 ft)	2,1 m (7,0 ft)	2,35 m (7,7 ft)	2,65 m (8,7 ft)							
6,10 m (20 ft)	2,1 m (7,0 ft)	2,29 m (7,5 ft)	2,50 m (8,2 ft)	2,93 m (9,6 ft)						
7,32 m (24 ft)	2,1 m (7,0 ft)	2,29 m (7,5 ft)	2,44 m (8,0 ft)	2,77 m (9,1 ft)	3,23 m (10,6 ft)					
8,53 m (28 ft)	2,1 m (7,0 ft)	2,26 m (7,4 ft)	2,41 m (7,9 ft)	2,68 m (8,8 ft)	3,04 m (10,0 ft)					
9,75 m (32 ft)	2,1 m (7,0 ft)	2,26 m (7,4 ft)	2,38 m (7,8 ft)	2,59 m (8,5 ft)	2,93 m (9,6 ft)	3,35 m (11,0 ft)				
11,0 m (36 ft)	2,1 m (7,0 ft)	2,26 m (7,4 ft)	2,38 m (7,8 ft)	2,56 m (8,4 ft)	2,83 m (9,3 ft)	3,23 m (10,6 ft)				
12,2 m (40 ft)	2,1 m (7,0 ft)	2,26 m (7,4 ft)	2,35 m (7,7 ft)	2,50 m (8,2 ft)	2,77 m (9,1 ft)	3,10 m (10,2 ft)				
13,4 m (44 ft)	2,1 m (7,0 ft)	2,22 m (7,3 ft)	2,35 m (7,7 ft)	2,47 m (8,1 ft)	2,71 m (8,9 ft)	3,02 m (9,9 ft)	3,38 m (11,1 ft)			
14,6 m (48 ft)	2,1 m (7,0 ft)	2,22 m (7,3 ft)	2,32 m (7,6 ft)	2,44 m (8,0 ft)	2,65 m (8,7 ft)	2,93 m (9,6 ft)	3,26 m (10,7 ft)			
15,8 m (52 ft)	2,1 m (7,0 ft)	2,22 m (7,3 ft)	2,32 m (7,6 ft)	2,41 m (7,9 ft)	2,59 m (8,5 ft)	2,83 m (9,3 ft)	3,14 m (10,3 ft)			
17,1 m (56 ft)	2,1 m (7,0 ft)	2,22 m (7,3 ft)	2,32 m (7,6 ft)	2,41 m (7,9 ft)	2,56 m (8,4 ft)	2,80 m (9,2 ft)	3,07 m (10,1 ft)			
18,3 m (60 ft)	2,1 m (7,0 ft)	2,22 m (7,3 ft)	2,32 m (7,6 ft)	2,41 m (7,9 ft)	2,56 m (8,4 ft)	2,74 m (9,0 ft)	3,02 m (9,9 ft)	3,32 m (10,9 ft)		
19,5 m (64 ft)	2,1 m (7,0 ft)	2,22 m (7,3 ft)	2,32 m (7,6 ft)	2,38 m (7,8 ft)	2,53 m (8,3 ft)	2,71 m (8,9 ft)	2,99 m (9,8 ft)	3,26 m (10,7 ft)		
20,7 m (68 ft)	2,1 m (7,0 ft)	2,22 m (7,3 ft)	2,29 m (7,5 ft)	2,38 m (7,8 ft)	2,50 m (8,2 ft)	2,68 m (8,8 ft)	2,93 m (9,6 ft)	3,20 m (10,5 ft)		
21,9 m (72 ft)	2,1 m (7,0 ft)	2,22 m (7,3 ft)	2,29 m (7,5 ft)	2,38 m (7,8 ft)	2,47 m (8,1 ft)	2,65 m (8,7 ft)	2,86 m (9,4 ft)	3,10 m (10,2 ft)		
23,2 m (76 ft)	2,1 m (7,0 ft)	2,22 m (7,3 ft)	2,29 m (7,5 ft)	2,38 m (7,8 ft)	2,44 m (8,0 ft)	2,62 m (8,6 ft)	2,83 m (9,3 ft)	3,07 m (10,1 ft)	3,35 m (11,0 ft)	
24,4 m (80 ft)	2,1 m (7,0 ft)	2,19 m (7,2 ft)	2,29 m (7,5 ft)	2,35 m (7,7 ft)	2,44 m (8,0 ft)	2,59 m (8,5 ft)	2,80 m (9,2 ft)	3,02 m (9,9 ft)	3,29 m (10,8 ft)	
25,6 m (84 ft)	2,1 m (7,0 ft)	2,19 m (7,2 ft)	2,29 m (7,5 ft)	2,35 m (7,7 ft)	2,44 m (8,0 ft)	2,59 m (8,5 ft)	2,77 m (9,1 ft)	2,99 m (9,8 ft)	3,23 m (10,6 ft)	
26,8 m (88 ft)	2,1 m (7,0 ft)	2,19 m (7,2 ft)	2,29 m (7,5 ft)	2,35 m (7,7 ft)	2,41 m (7,9 ft)	2,56 m (8,4 ft)	2,74 m (9,0 ft)	2,95 m (9,7 ft)	3,20 m (10,5 ft)	
28,0 m (92 ft)	2,1 m (7,0 ft)	2,19 m (7,2 ft)	2,26 m (7,4 ft)	2,35 m (7,7 ft)	2,41 m (7,9 ft)	2,53 m (8,3 ft)	2,68 m (8,8 ft)	2,86 m (9,4 ft)	3,07 m (10,1 ft)	3,32 m (10,9 ft)
29,3 m (96 ft)	2,1 m (7,0 ft)	2,19 m (7,2 ft)	2,26 m (7,4 ft)	2,35 m (7,7 ft)	2,41 m (7,9 ft)	2,50 m (8,2 ft)	2,65 m (8,7 ft)	2,80 m (9,2 ft)	3,02 m (9,9 ft)	3,26 m (10,7 ft)
30,5 m (100 ft)	2,1 m (7,0 ft)	2,19 m (7,2 ft)	2,26 m (7,4 ft)	2,32 m (7,6 ft)	2,38 m (7,8 ft)	2,47 m (8,1 ft)	2,62 m (8,6 ft)	2,80 m (9,2 ft)	3,02 m (9,9 ft)	3,23 m (10,6 ft)

FC

3.4 SEPARACIÓN PARA BORDE ABIERTO: los modelos de SRD que se tratan en estas instrucciones modelos fabricados para su uso con bordes abiertos. Los dispositivos autorretráctiles con capacidades para los bordes abiertos (SRD-LE, por sus siglas en inglés) se deben usar en aplicaciones en las que el SRD o su línea de vida pueden entrar en contacto con el borde abierto. No utilice ningún otro tipo de SRD en estas aplicaciones.

A. PRECAUCIONES: los SRD-LE cuentan con una cantidad de precauciones únicas que se deben observar durante su uso. Durante la planificación del uso de un SRD-LE, considere todos los requisitos para SRD-LE especificados en estas instrucciones.

- Los usuarios deben tener en cuenta los requisitos de capacidad especificados para los modelos de SRD-LE del la Tabla 1.
- El SRD-LE debe estar instalado de forma que, en caso de una caída, la línea de vida no pase sobre el borde abierto en un ángulo menor a 90 grados. Consulte la Figura 6 como referencia.
- Instale el punto de anclaje a la misma altura o sobre el borde sobre el que pueda ocurrir una caída. Los puntos de anclaje debajo del borde son peligrosos porque provocan que la línea de vida se redirija en un ángulo menor que 90 grados. Consulte la Figura 6 como referencia.
- El uso de este dispositivo a una orientación en la cual la línea constituyente pueda estar en contacto con un borde abrasivo, afilado o dentado es inherentemente peligroso, y dicho uso debe ser considerado como último recurso.
- No trabaje muy alejado del lado de una apertura opuesta al punto de anclaje.
- El uso de los SRD-LE puede hacer necesarios procedimiento de rescate especiales.
- Nunca utilice una extensión de anillo en D con un SRD-LE en una aplicación con un borde abierto.

B. PRUEBAS DE BORDES AFILADOS: los modelos que de incluyen en estas instrucciones se evaluaron satisfactoriamente para uso horizontal y para caídas desde bordes de acero sin protuberancias. Como resultado, estos modelos de SRD-LE se pueden usar en situaciones similares. Se deben seguir todos los requisitos para el uso, incluidas las distancias de retroceso necesarias. Aunque los SRD-LE son más resistentes que los SRD, el usuario debe seguir, cuando sea posible, evitando trabajar en lugares donde la línea de vida raspará continua o reiteradamente contra bordes filosos y superficies abrasivas.

C. REQUISITOS DE SEPARACIÓN DE CAÍDA: los modelos de SRD-LE tienen sus propios requisitos de separación de caída que deben seguirse. Se deben usar las tablas de separación de caída de SRD-LE para las aplicaciones de bordes abiertos en lugar de las tablas de separación de caída estándar. El uso de una tabla de separación de caída de SRD-LE no es un reemplazo para el uso de un SRD-LE.

Figura 6: Ángulo de redirección

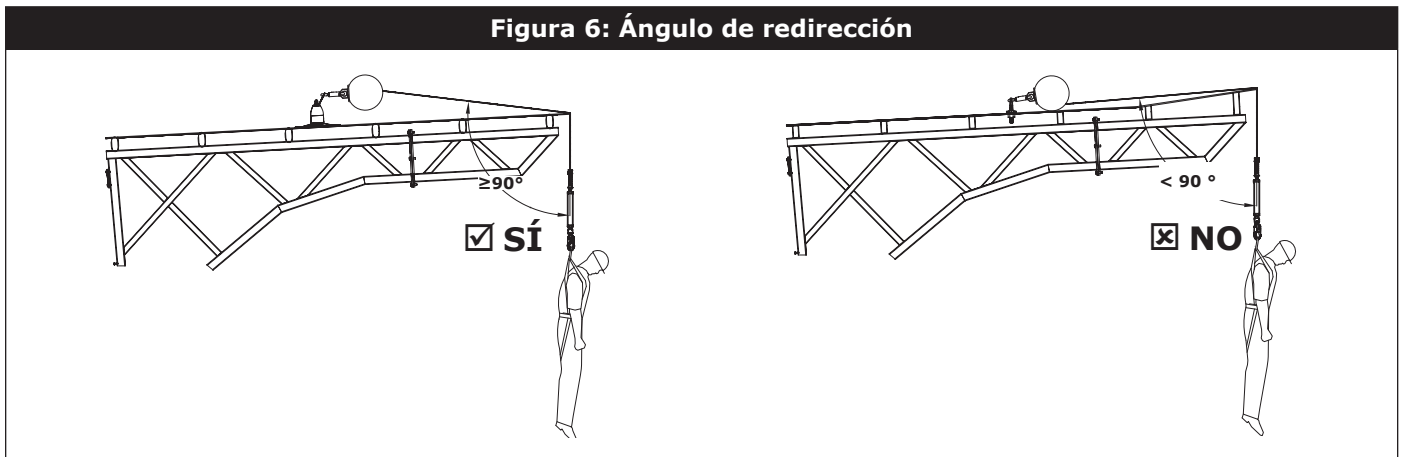


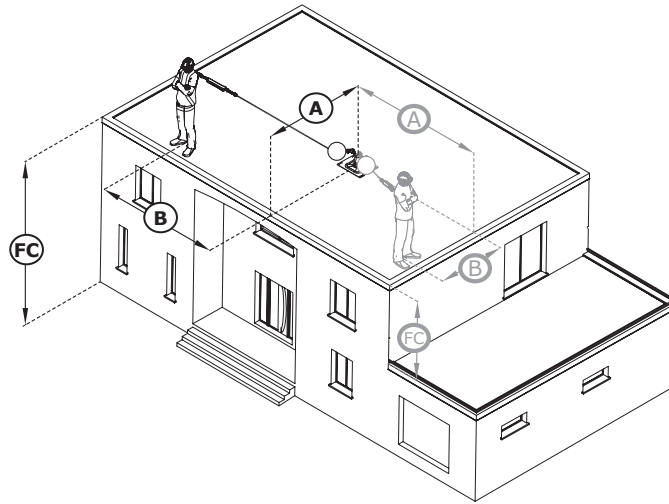
TABLA DE SEPARACIÓN DE CAÍDAS - DISPOSITIVOS PARA BORDES ABIERTOS (SRD-LE)

La separación de caída necesaria se proporciona dentro de las tablas a continuación. Para determinar la separación de caída requerida:

1. Seleccione la tabla de separación que coincida con el tipo de producto e incluya una capacidad adecuada a su peso combinado.
2. Determine la distancia de retroceso (A) de su subsistema. La distancia de retroceso se mide desde el punto de conexión de anclaje al borde de la plataforma de trabajo.
3. Determine la distancia horizontal (B) del subsistema. La distancia horizontal se mide desde el punto del borde directamente opuesto al punto de conexión de anclaje al punto del borde que iguala la mayor extensión del área de trabajo.
4. Después de obtener la distancia de retroceso (A) y la distancia horizontal (B), use (A) y (B) dentro de la tabla de separación de caídas para determinar la separación de caída (FC) que necesita.

☑ Cuando los valores (A) y (B) que mide el usuario no coinciden con los que se mencionan en la tabla, el usuario debe redondearlos al siguiente valor más alto mencionado. Si no hay un valor más alto mencionado, el usuario debe reducir la altura de anclaje o la distancia de retroceso a un valor menor.

☑ Para determinar la extensión completa del radio de trabajo del usuario puede ser necesario repetir estos pasos para cada borde abierto del que el usuario vaya a estar cerca.



Peso del usuario: 59 - 140 kg (130 - 310 lb.)	B								
	0,00m (0 ft)	0,61m (2 ft)	1,52m (5 ft)	3,05m (10 ft)	4,57m (15 ft)	6,1m (20 ft)	7,62m (25 ft)	>7,62m (>25 ft)	
A	0,61m (2 ft)	5,51m (18,1 ft)	5,76m (18,9 ft)						
	1,52m (5 ft)	5,51m (18,1 ft)	5,63m (18,5 ft)	6,15m (20,2 ft)					
	3,05m (10 ft)	5,51m (18,1 ft)	5,57m (18,3 ft)	5,88m (19,3 ft)	6,76m (22,2 ft)				
	4,57m (15 ft)	5,51m (18,1 ft)	5,54m (18,2 ft)	5,76m (18,9 ft)	6,43m (21,1 ft)	7,40m (24,3 ft)			
	6,1m (20 ft)	5,51m (18,1 ft)	5,54m (18,2 ft)	5,69m (18,7 ft)	6,24m (20,5 ft)	7,04m (23,1 ft)	8,04m (26,4 ft)		
	7,62m (25 ft)	5,51m (18,1 ft)	5,54m (18,2 ft)	5,66m (18,6 ft)	6,09m (20,0 ft)	6,79m (22,3 ft)	7,65 m (25,1 ft)		
	9,14m (30 ft)	5,51m (18,1 ft)	5,54m (18,2 ft)	5,63m (18,5 ft)	6,00m (19,7 ft)	6,58m (21,6 ft)	7,37m (24,2 ft)		
	10,67m (35 ft)	5,51m (18,1 ft)	5,54m (18,2 ft)	5,63m (18,5 ft)	5,94m (19,5 ft)	6,46m (21,2 ft)	7,13m (23,4 ft)		
	12,19m (40 ft)	5,51m (18,1 ft)	5,51m (18,1 ft)	5,60m (18,4 ft)	5,88m (19,3 ft)	6,33m (20,8 ft)	6,94m (22,8 ft)		
	15,24m (50 ft)	5,51m (18,1 ft)	5,51m (18,1 ft)	5,57m (18,3 ft)	5,82m (19,1 ft)	6,18m (20,3 ft)	6,70m (22,0 ft)		
	16,76m (55 ft)	5,51m (18,1 ft)	5,51m (18,1 ft)	5,57m (18,3 ft)	5,79m (19,0 ft)	6,12m (20,1 ft)	6,58m (21,6 ft)		
	18,29m (60 ft)	5,51m (18,1 ft)	5,51m (18,1 ft)	5,57m (18,3 ft)	5,76m (18,9 ft)	6,06m (19,9 ft)	6,49m (21,3 ft)		
	18,29m (60 ft)	5,51m (18,1 ft)	5,51m (18,1 ft)	5,57m (18,3 ft)	5,76m (18,9 ft)	6,03m (19,8 ft)	6,43m (21,1 ft)		
	21,34m (70 ft)	5,51m (18,1 ft)	5,51m (18,1 ft)	5,57m (18,3 ft)	5,73m (18,8 ft)	6,00m (19,7 ft)	6,36m (20,9 ft)		

FC

- 3.5 CONEXIÓN AL ANCLAJE:** La Figura 7 ilustra conectores de anclaje típicos para dispositivo autorretráctil (SRD, por sus siglas en inglés). El anclaje (A) se debe ubicar directamente sobre la cabeza para minimizar los riesgos de caída libre y por balanceo (Consulte la Sección 3.3.B). Seleccione un anclaje capaz de sostener las cargas estáticas que se definen en la Tabla 1. Dependiendo del sistema y de la configuración del producto, el usuario podría fijar el conector superior (B) del SRD directamente a la estructura de anclaje, a un conector de anclaje o a un punto de conexión de anclaje intermedio.
- 3.6 CONEXIÓN A UN ARNÉS:** La conexión del SRD a un arnés variará según el arnés y el elemento de fijación que se utilice. Consulte la Figura 8 como referencia. Para asegurarlo, conecte el conector inferior (A) del SRD al elemento de fijación (B) del arnés de cuerpo completo. Para obtener más información sobre cómo se pueden utilizar los elementos de fijación, consulte las instrucciones del fabricante de su arnés.

En la "Descripción general del producto" se especifican las aplicaciones de protección contra caídas con las que se puede utilizar el modelo SRD. Asegúrese de que el uso de su arnés cumple con estos requisitos. Se requiere un arnés de cuerpo completo para las aplicaciones de detención de caídas.

- 3.7 MONTAJE DEL TRÍPODE:** La Figura 13 muestra la instalación de un modelo SRD-R en un trípode Protecta. El SRD-R está montado en una pata del trípode y la línea de vida se canaliza a través de un sistema de poleas en la cabeza del trípode. Consulte las instrucciones del fabricante para obtener más información sobre el trípode y el soporte de montaje.
- 3.8 SRL-LE MODULAR:** El modelo SRL 3590298 es una SRL LE que contiene un conector modular entre el absorbedor de energía y el anticaídas del cable. El conector modular (I) se puede ver en la Figura 2,4. Los conectores modulares permiten separar el absorbedor de energía de la SRL. El conector modular elimina la necesidad de usar una extensión de anillo en D separada entre el anillo en D dorsal del arnés de cuerpo completo y el gancho de seguridad de la SRL. El absorbedor de energía puede permanecer en la espalda del usuario y el usuario puede desconectar el anticaídas SRL utilizando el conector modular. Si la unidad está sujeta a una detención de caídas, la unidad completa (3590298) debe retirarse del servicio de inmediato, marcarse como "NO USAR", e inspeccionarse y repararse como se indica en las secciones 5 y 6.

MONTAJE DE LOS COMPONENTES MODULARES: (Vea la Figura 14)

PASO 1: Oriente el conector hembra del absorbedor de energía y el conector macho del anticaídas como se muestra. Utilice solo el modelo de absorción de energía 1340151 con los modelos SRL-LE con conectores modulares. El absorbedor de energía modelo 1340151 está aprobado para usarse con los modelos modulares SRD-LE Protecta especificados en estas instrucciones para el usuario. No lo utilice con otros SRD.

PASO 2: Presione las trabas del conector hembra (C) a cada lado del conector para destrabar el dispositivo. Introduzca el conector macho y deslícelo a la parte inferior del conector hembra. Suelte ambas trabas para capturar el conector macho. Las trabas del conector hembra deben volver a su posición totalmente extendida.

PASO 3: Tire del absorbedor de energía y del anticaídas en sentidos opuestos para fijar totalmente el conector macho. El conector macho debe trabarse fijamente en la posición que se muestra.

4.0 USO

- 4.1 ANTES DE CADA USO:** Verifique que su área de trabajo y el sistema de protección contra caídas cumplan con todos los criterios definidos en estas instrucciones. Verifique que exista un Plan de Rescate formal. Inspeccione el producto según los puntos de inspección del "Usuario" definidos en el "Registro de inspección y mantenimiento". Si en la inspección se detecta que el estado del producto es inseguro o defectuoso, o si existe alguna duda sobre su condición para un uso seguro, retire el producto de servicio de inmediato. Ponga una etiqueta clara de "NO UTILIZAR" en el producto. Consulte la Sección 5 para obtener más información.
- 4.2 DESPUÉS DE UNA CAÍDA:** si este equipo se ha visto sujeto a la detención de caídas o la fuerza de impacto, retírelo del servicio inmediatamente. Etiquételo claramente con la inscripción "NO USAR". Consulte la Sección 5 para obtener más información.
- 4.3 FUNCIONAMIENTO:** antes de usar un SRD, el trabajador deberá asegurar el SRD a un punto de conexión de anclaje y a un elemento de fijación en el arnés de cuerpo completo. Una vez asegurado, el trabajador podría moverse dentro del área de trabajo establecida como segura a velocidades normales. Durante el uso, deje siempre que la línea de vida del SRD se enrolle de nuevo en el dispositivo en forma controlada.
- 4.4 CABLES DE COLA:** dependiendo del sitio de trabajo y la configuración del sistema, puede que el usuario no siempre pueda alcanzar el SRD en su punto de anclaje. En estas situaciones, es posible que sea necesario un cable de cola. Un cable de cola es un trozo largo de cable que hace un bucle alrededor del conector inferior del SRD antes de hacer un bucle sobre sí mismo. Cuando se conecta de esta forma, el usuario puede elevar o bajar el conector inferior del SRD a su ubicación al tirar del cable de cola.

Asegúrese de que el extremo del cable de maniobra no se enrede con otros trabajadores, equipo o maquinaria. De ser necesario, restrinja el extremo libre del cable de maniobra.

- 4.5 OPERACIÓN DE RECUPERACIÓN:** La manivela de rescate de un SRD-R puede utilizarse para elevar y bajar a un trabajador suspendido. Para utilizar la manivela de rescate, primero debe activar el modo de recuperación y después rotar la manivela. Consulte la Figura 12 como referencia. Para activar el modo de recuperación y utilizar la manivela de rescate:
1. Tire de la manija de la manivela para liberar la manivela de rescate.
 2. Gire la manija de la manivela fuera del cuerpo del SRD hasta su posición activada.
 3. Tire y sostenga la perilla de cambio en la posición desbloqueada.
 4. Presione el brazo de la manivela hacia adentro y libere la perilla de cambio para activar el modo de rescate. De ser necesario, gire el brazo de la manivela a la derecha para ayudar a enganchar el engrane.
 5. Gire la manivela de rescate para elevar o bajar al trabajador suspendido.
 - A. Para elevar: Gire la manivela de rescate a la izquierda.
 - B. Para bajar: Primero, gire la manivela de rescate a la izquierda para liberar el freno de detención de caídas. Después, gire la manivela de rescate hacia la derecha para bajar.

No intente operar en modo de recuperación cuando la línea de vida esté completamente retraída. Deje de girar la manivela tan pronto como la línea de vida esté completamente retraída o extendida.

La manivela de rescate debe utilizarse únicamente en aplicaciones de rescate. No lo utilice para ningún otro propósito.

Los SRD-R de 3M no incorporan un embrague de sobrecarga para limitar las fuerzas que se aplican sobre los componentes de impulso y la persona anclada. Evite que línea esté floja mientras está en modo de recuperación. Si el trabajador anclado se enreda en una obstrucción durante el rescate, asegúrese de no someter al trabajador a fuerzas excesivas por continuar elevando.

Se requiere una carga mínima de 33,9 kg (75 lb.) para bajar o desplegar la línea de vida. Se requiere una fuerza de 0,13 kN (30 lb.) para operar el sistema de recuperación cuando se carga a su máxima capacidad.

4.6 DESCONEJIÓN DE RECUPERACIÓN: El SRD-R siempre debe desconectarse del modo de recuperación después de usarse. Para desconectar el modo de recuperación:

Cuando el modo de recuperación se desconecta, la línea de vida debe retraerse completamente en la carcasa del SRD. Para evitar una posible lesión, mantenga el control de la línea de vida o retraiga la línea de vida antes de desconectar.

1. Elimine cualquier carga de la línea de vida.
2. Tire y sostenga la perilla de cambio en la posición desbloqueada.
3. Tire del brazo de la manivela para desconectar; después libere la perilla de cambio.
4. Baje y gire la manija de la manivela hacia el cuerpo del SRD hasta su posición de almacenamiento.

4.7 USO CON SISTEMAS HORIZONTALES: Los SRD que se cubren en estas instrucciones son compatibles para su uso con sistemas horizontales, como sistemas de líneas de vida horizontales (HLL, por sus siglas en inglés) y sistemas de riel horizontal. Consulte las instrucciones del fabricante de su sistema horizontal para obtener más información sobre su compatibilidad con los SRD. Los SRD se pueden utilizar con un sistema horizontal solo si ambos productos son adecuado para dicho uso.

Los valores de espacio libre de caída necesarios que se presentan en estas instrucciones se basan en un punto de anclaje estático y rígido. Estos valores no se aplican cuando el producto se usa con un sistema de línea de vida horizontal (HLL). Consulte las instrucciones del fabricante del sistema de HLL para obtener la tabla de separación de caídas específica de ese sistema o para obtener factores adicionales que se deben tomar en cuenta antes de usar las tablas en estas instrucciones.

5.0 INSPECCIÓN

Una vez que el equipo se haya retirado del servicio, no se lo podrá devolver al servicio hasta que una persona competente confirme por escrito que es aceptable hacerlo.

5.1 FRECUENCIA DE INSPECCIÓN: el usuario deberá inspeccionar el producto antes de cada uso y, además, una persona competente que no sea el usuario deberá hacerlo a intervalos de no más de un año. Una mayor frecuencia de uso del equipo y condiciones más severas pueden requerir aumentar la frecuencia de inspecciones por parte de la persona competente. La frecuencia de estas inspecciones la debe determinar la persona competente según las condiciones específicas del lugar de trabajo.

5.2 PROCEDIMIENTOS DE INSPECCIÓN: inspeccione este producto según los procedimientos indicados en el "Registro de inspección y mantenimiento". El propietario de este equipo debe conservar la documentación de cada inspección. Se debe colocar un registro de inspección y mantenimiento cerca del producto o que este sea de fácil acceso para los usuarios. Se recomienda marcar el producto con la fecha de la próxima o última inspección.

5.3 DEFECTOS: si el producto no puede devolverse al servicio debido a un defecto existente o una condición insegura, este debe destruirse o enviarse a 3M o a un centro de servicio autorizado por 3M para su reparación.

5.4 VIDA ÚTIL DEL PRODUCTO: la vida útil del producto está determinada por las condiciones de trabajo y el mantenimiento. Mientras el producto pase los criterios de inspección, puede permanecer en servicio.

6.0 MANTENIMIENTO, REPARACIÓN Y ALMACENAMIENTO

El equipo que necesita mantenimiento o tiene programado recibir mantenimiento debe ser etiquetado con la inscripción "NO USAR". Estas etiquetas del equipo no se deben retirar hasta que se realice el mantenimiento.

6.1 LIMPIEZA: Los procedimientos de limpieza para el Dispositivo autorretráctil son los siguientes:

- Limpie periódicamente la parte exterior del SRD con una solución de agua y jabón suave. Coloque el Dispositivo autorretráctil (SRD) de modo que el exceso de agua se escurra. Limpie las etiquetas si hace falta.
- Limpie el anticaídas con una solución de agua y jabón suave. Enjuague y deje secar por completo al aire. No aplique calor para apurar el secado. La acumulación excesiva de suciedad, pintura, etc., podría evitar la retracción completa de la línea de vida dentro de la carcasa, causando un posible riesgo de caída libre. Reemplace el anticaídas si se produce una acumulación excesiva.

6.2 TAREAS DE MANTENIMIENTO O REPARACIÓN: Solo 3M o las partes autorizadas por escrito por 3M pueden hacer reparaciones a este equipo. No intente desarmar la SRD ni lubricar ninguna de las piezas.

6.3 ALMACENAMIENTO Y TRANSPORTE: almacene y transporte el producto en un lugar fresco, seco y limpio, donde no quede expuesto a la luz solar directa. Evite los lugares donde pueda haber vapores de sustancias químicas. Inspeccione minuciosamente los componentes después de un almacenamiento prolongado.

Figura 7: Conexión al anclaje

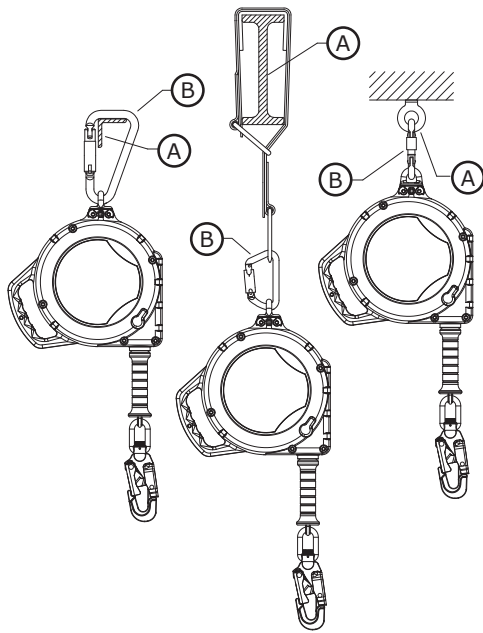


Figura 8: Conexión a un arnés

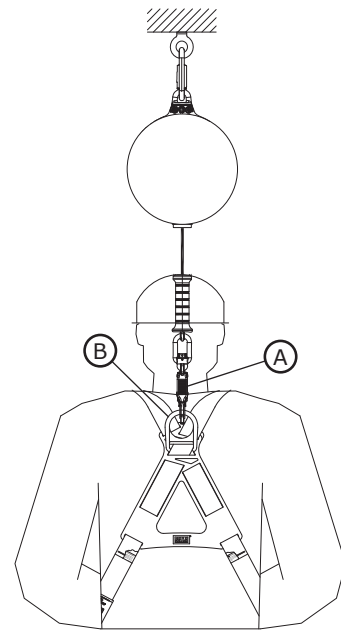


Figura 9: Inspección del SRD

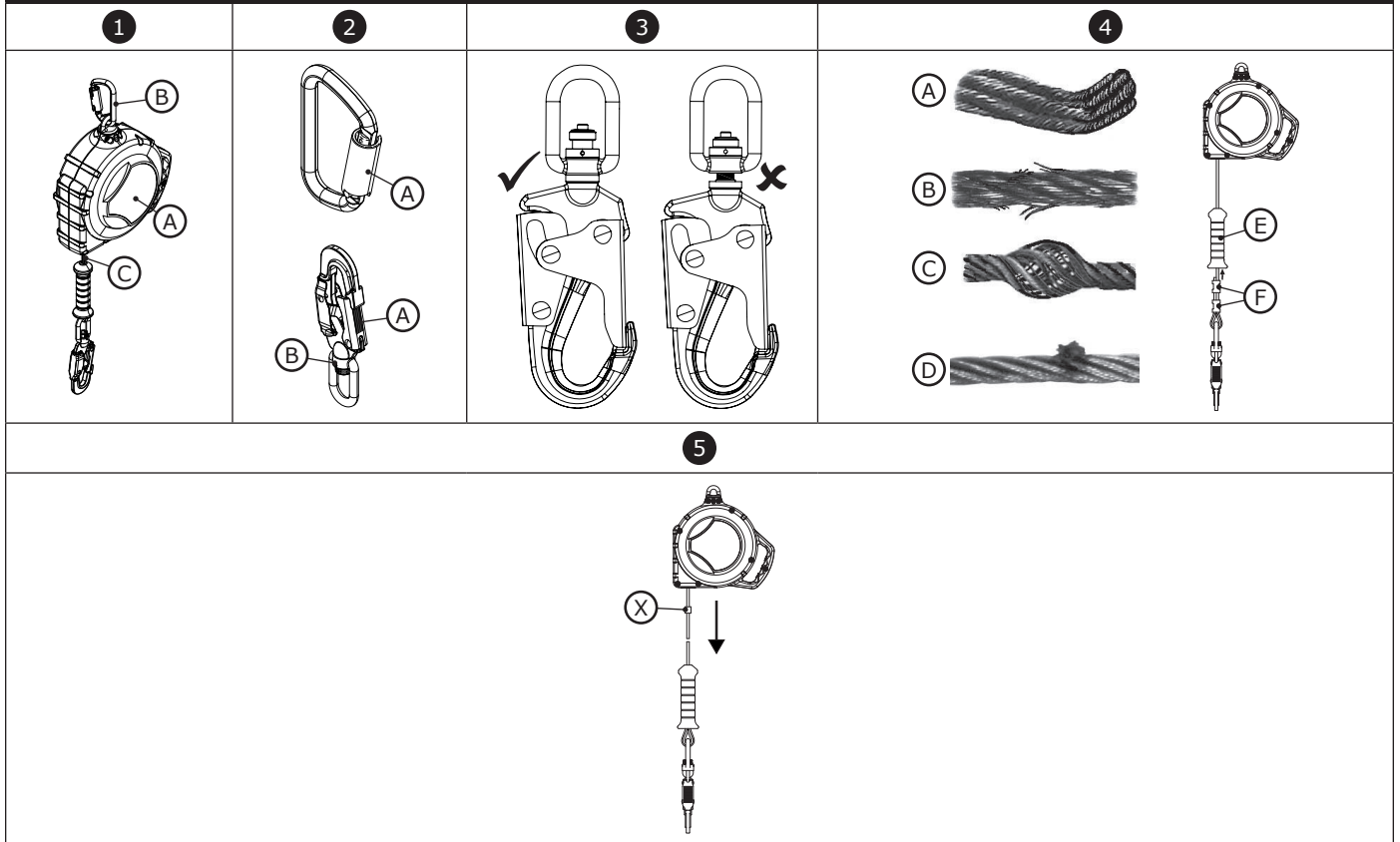


Figura 10: inspección del dispositivo autorretráctil con borde abierto

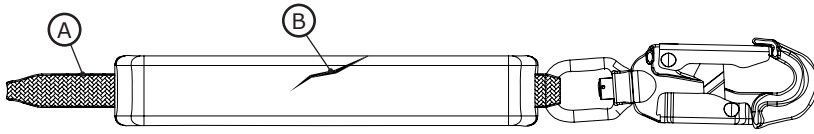


Figura 11: inspección del dispositivo autorretráctil con rescate

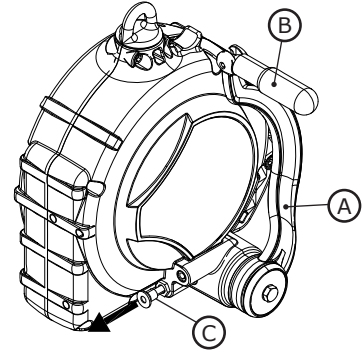


Figura 12: Operación de recuperación

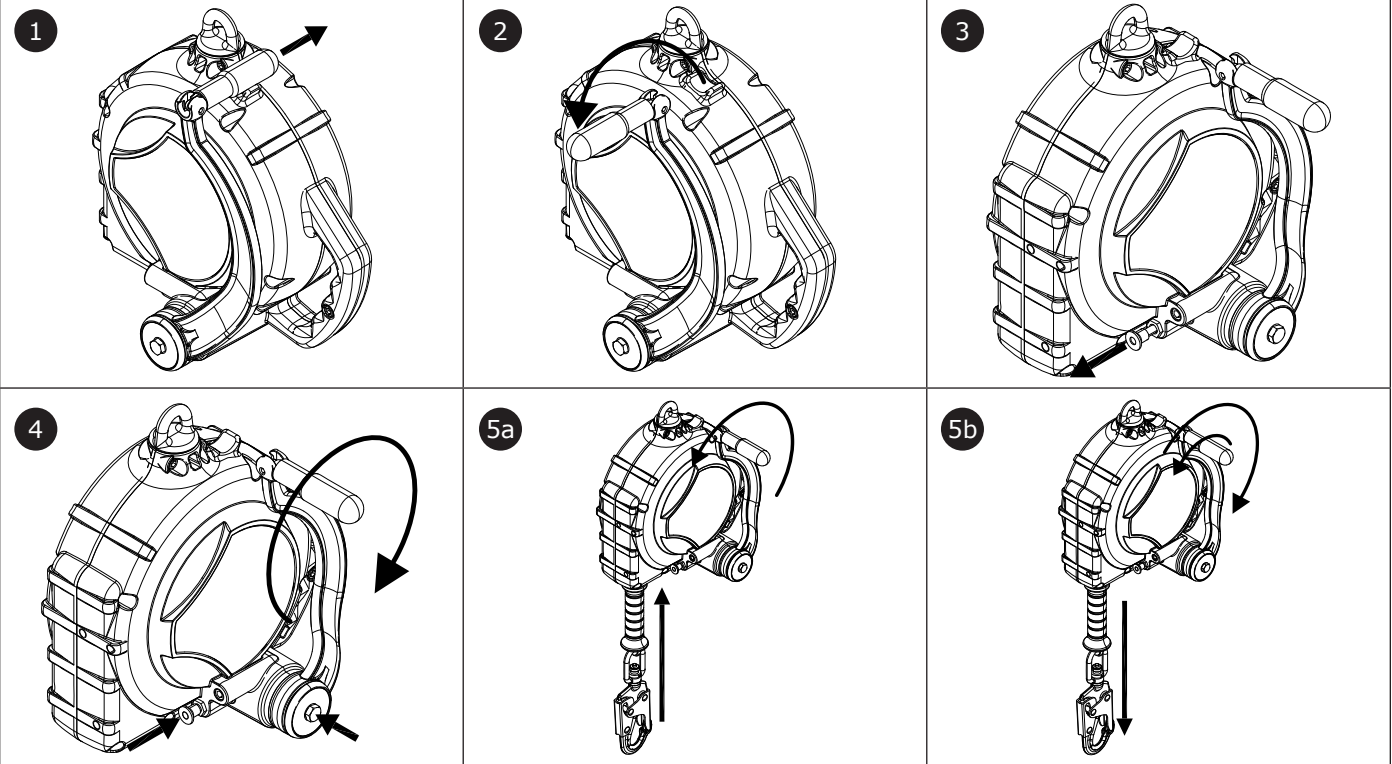


Figura 13: Montaje del trípode

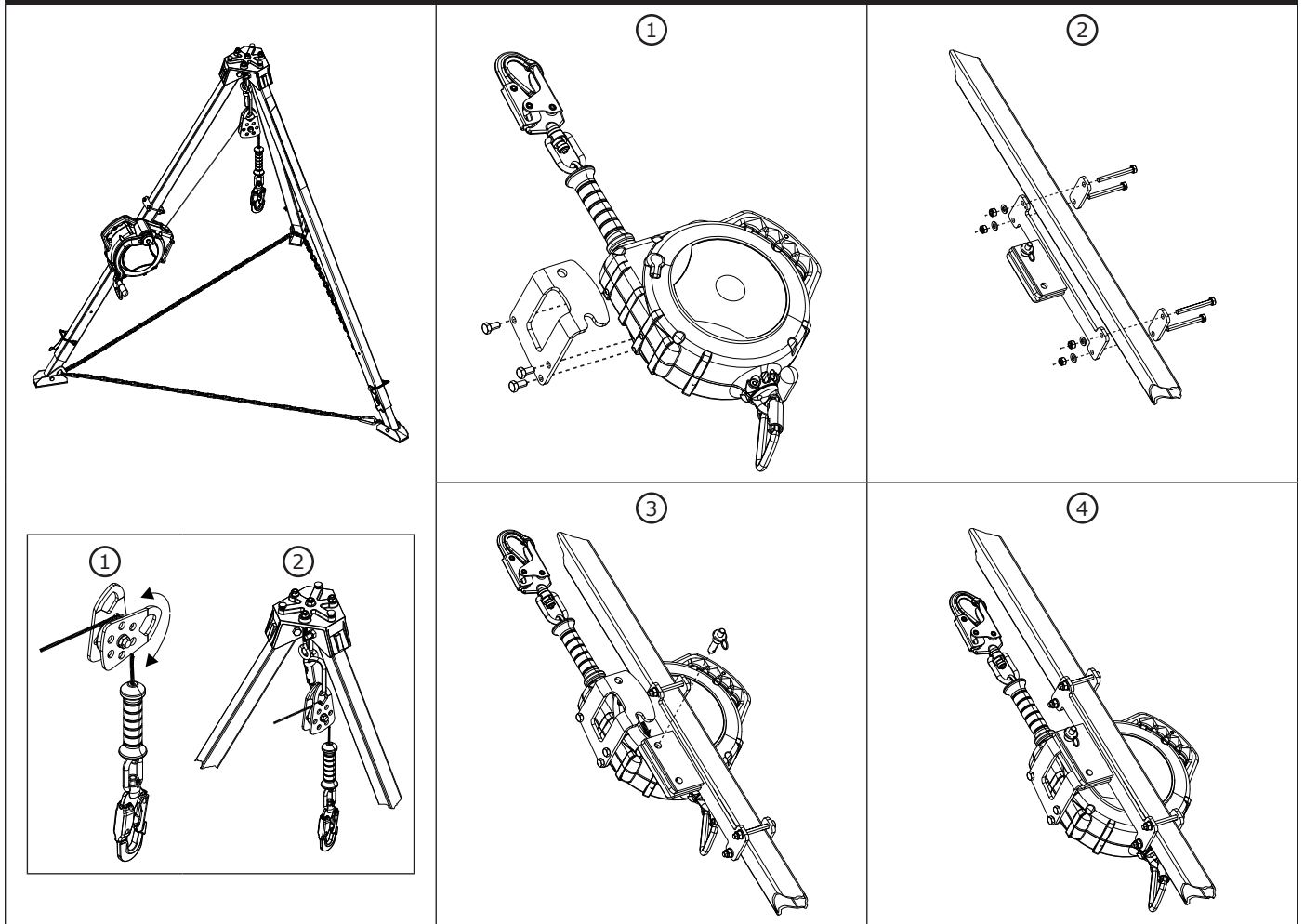
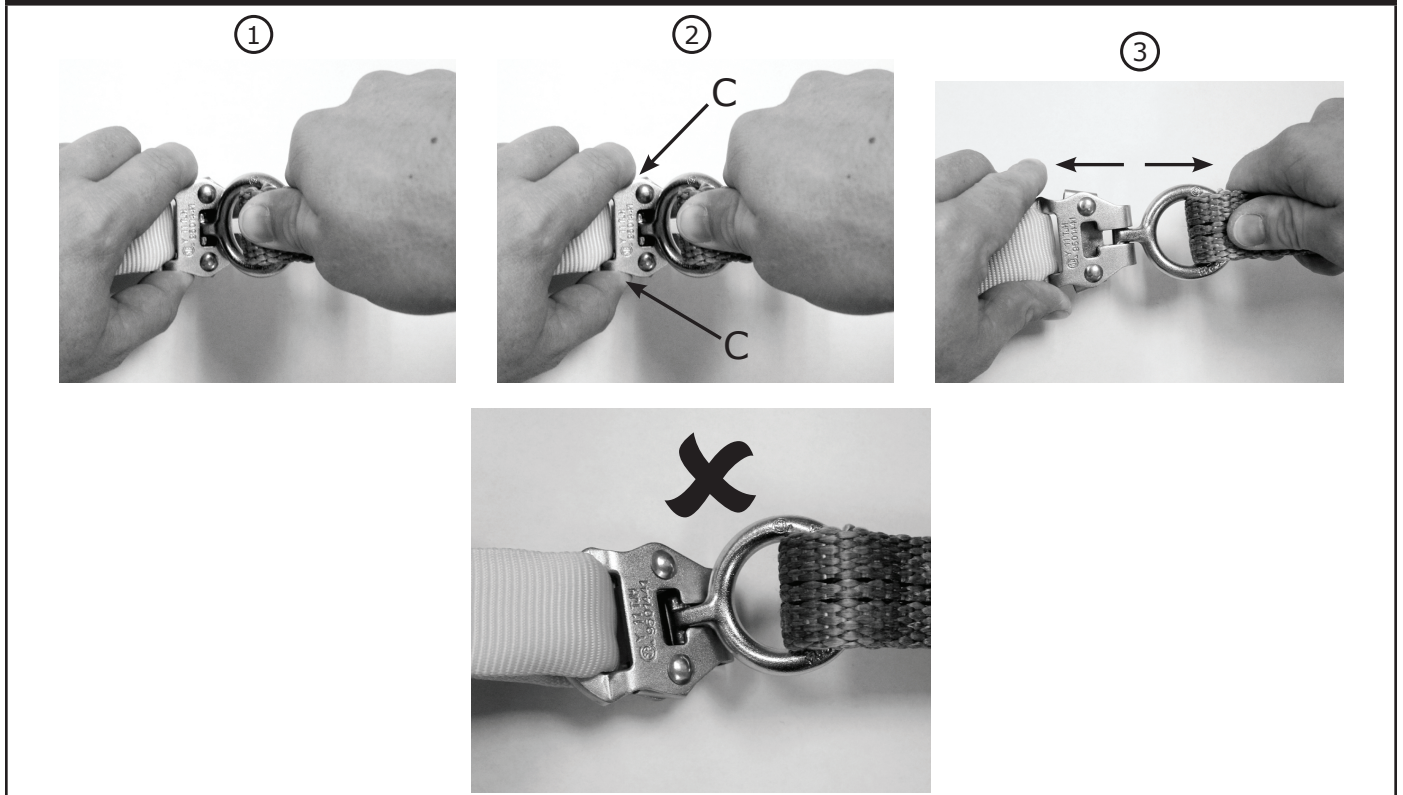


Figura 14: Conectores modulares



7.0 ETIQUETAS y MARCAS

7.1 ETIQUETAS: la figura 15 ilustra las etiquetas presentes en el SRD. Las etiquetas deben reemplazarse si no están presentes o no son completamente legibles. La información proporcionada en cada etiqueta es la siguiente:

Las imágenes de las etiquetas deben ser representativas. Consulte las etiquetas de su producto para obtener información específica.

A	<ol style="list-style-type: none">1) Declaración de inspección2) Una banda de color expuesta en el gancho indica carga de impacto y el dispositivo debe retirarse del servicio3) No quite esta etiqueta4) Capacidad5) Fuerza máxima de detención6) Fuerza de detención promedio7) Distancia máxima de detención8) Carga de impacto9) Fecha de manufactura (año, mes)10) Especificación del material11) Longitud de trabajo12) Número de modelo13) Registro de inspección14) Siguiendo mantenimiento
B	<ol style="list-style-type: none">1) Tabla de separación de caída2) Lea las instrucciones antes de usar3) No lo cargue sobre un borde4) Registro de inspección5) No quite esta etiqueta6) Declaración de inspección7) Fecha de manufactura (año, mes)8) Especificación del material9) Longitud de trabajo10) Número de serie11) Longitud general12) Capacidad13) Fuerza máxima de detención14) Fuerza de detención promedio15) Distancia máxima de detención
C	<ol style="list-style-type: none">1) Etiqueta de ID de SRD modular
D	<ol style="list-style-type: none">1) ADVERTENCIA: Utilice solo con el LE SRL modelo 3590298. Consulte las instrucciones.
E	<ol style="list-style-type: none">1) Declaración de inspección2) Lea las instrucciones antes de usar3) No lo cargue sobre un borde4) Capacidad5) Longitud de trabajo6) Fecha de manufactura (año, mes)7) Número de lote8) Número de modelo9) Número de serie10) Longitud general11) Registro de inspección12) Siguiendo mantenimiento13) Carga de impacto14) No quite esta etiqueta
F	<ol style="list-style-type: none">1) Para bajar, gire a la derecha.2) Para elevar, gire a la izquierda.
G	Operación de recuperación; consulte la Sección 4.5 para ver las instrucciones.

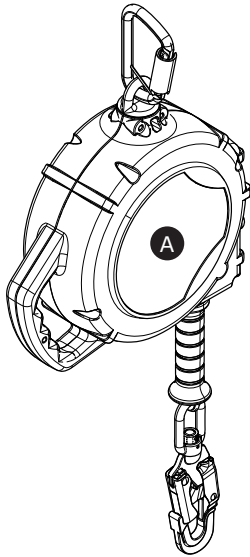
8.0 GLOSARIO DE TÉRMINOS

8.1 DEFINICIONES: los siguientes términos y definiciones se utilizan en estas instrucciones.

Para obtener una lista exhaustiva de términos y definiciones, visite nuestro sitio web: www.3m.com/FallProtection/ifu-glossary

- **PERSONA AUTORIZADA:** persona designada por el empleador para que realice tareas en una ubicación en la que la persona estará expuesta a un riesgo de caída.
- **PERSONA COMPETENTE:** alguien capaz de identificar peligros existentes y predecibles en los alrededores o condiciones de trabajo que son insalubres, riesgosas o peligrosas para los empleados, y que tiene autorización para tomar medidas correctivas rápidas para eliminarlos.
- **SISTEMA DE DETENCIÓN DE CAÍDAS:** una colección del equipo de protección contra caídas configurado para proteger al usuario en el caso de una caída.
- **PERSONA CALIFICADA:** una persona con un título, un certificado o un cargo profesional reconocidos, o que, con amplios conocimientos, capacitación y experiencia, ha demostrado correctamente su capacidad para resolver o solucionar problemas relacionados con la protección contra caídas y los sistemas de rescate en la medida requerida por las reglamentaciones nacionales, regionales y locales aplicables.
- **RESPONSABLE DEL RESCATE:** una persona que utiliza el sistema de rescate para realizar un rescate asistido.
- **SISTEMA DE RETENCIÓN:** una colección del equipo de protección contra caídas configurado para evitar que el usuario tenga un riesgo de caída. No se permite la caída libre.
- **USUARIO:** una persona que realiza actividades mientras está protegida con el sistema de protección contra caídas.

Figura 15: etiquetas del producto



3M PROTECTA
3M.com/FallProtection
Lifeline: 5 mm (3/16 in) 7 x 19 galvanized cable (G) or stainless steel cable (S).

USE: Anchorage strength requirement 22kN (5000 lb). Attach SRL directly to anchorage using supplied connector, as directly above work area as possible to reduce swing fall hazard. Do not work above anchorage level. Minimum clearance required equals 6ft. Additional clearance is required for swing fall situations. See user manual for further fall clearance guidance. Full body harness required for use with this device. Avoid lifeline contact with sharp edges and abrasive surfaces. Single user only. Capacity includes clothing, tools, and equipment. For use by trained persons only. This unit is suitable for use with horizontal lifelines. See user manual for additional information including suitability for horizontal use. Contact 3M Fall Protection with any questions about the proper use of this product. SRL with Retrieval: A maximum force of 14 kg (30 lb) is required to raise/lower user. To lower a user after a fall, first raise slightly to disengage locking mechanism.

INSPECTION: Before each use, and at least annually, inspect in accordance with the User Manual including locking function (pull sharply to test), retraction, lifeline condition, function and condition of connector, housing and fasteners, legibility of labels, and any evidence of defects, damage or missing parts. Inspection by a competent person required at least annually. See User Manual. Do not use if inspection reveals an unsafe condition. Not user repairable.

WARNING: Read instructions before use. Manufacturer's instructions supplied with this product must be followed for proper use. Failure to follow instructions may result in serious injury or death. This device shall be removed from service when the impact indicator is deployed. Do not allow slack in line while in rescue mode.

1

2

3

4

5

6

7

8

9

10

11

12

13

14

Exposed color band on hook indicates inspect loading and device must be removed from service.

DO NOT REMOVE THIS LABEL

Mfr'd. (yr, mo): Lot: Model No:

Material:

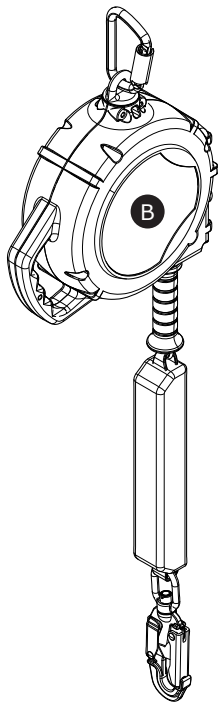
Working Length:

Serial No. Overall Length:

	ANSI Z359 Series	OSHA	OSHA
Capacity	130 lbs - 310 lbs (59 kg - 140 kg)	130 lbs - 310 lbs (59 kg - 140 kg)	311 lbs - 420 lbs (141 kg - 191 kg)
Max arresting force	1,350 lbf (6 kN)	1,350 lbf (6 kN)	1,350 lbf (6 kN)
Avg arresting force	1,125 lbf (5 kN)	900 lbf (4 kN)	900 lbf (4 kN)
Max arresting distance	42 in. (1.1 m)	42 in. (1.1 m)	42 in. (1.1 m)
Max Free Fall	2 ft (0.6 m)	2 ft (0.6 m)	2 ft (0.6 m)

9520119 Rev. C

ANSI 1800
ANSI 1350



3M PROTECTA
3M.com/FallProtection
Lifeline: 6 mm (7/32 in) 7 x 19 galvanized cable (G), Nylon & polyester energy absorber.

USE: Anchorage strength requirement 22 kN (5000 lb). Attach SRL directly to anchorage using supplied connector or as directly above work area as possible to reduce swing fall hazard. Full body harness required for use with this device. Users over 310 lbs (141 kg) must not use this device in sharp leading edge application. Capacity includes clothing, tools, and equipment. For use by trained persons only. This unit is suitable for use with horizontal lifelines. See user manual for additional information including suitability for horizontal use. Contact 3M Fall Protection with any questions about proper use of this product.

INSPECTION: Before each use, and at least annually, inspect in accordance with the User Manual including locking function (pull sharply to test), retraction, lifeline condition, function and condition of connector, housing and fasteners, legibility of labels, and any evidence of defects, damage or missing parts. Inspection by a competent person required at least annually. Remove from service if inspection reveals ruptured or torn webbing extending from the lead indicator cable or exposed color band on hook. Do not use if inspection reveals an unsafe condition. Not user repairable. See User Manual.

WARNING: Read instructions before use. Manufacturer's instructions supplied with this product must be followed for proper use. Failure to follow instructions may result in serious injury or death. This device shall be removed from service when the impact indicator is deployed.

1

2

3

4

5

6

7

8

9

10

11

12

13

14

15

New Weight

	0 ft	2 ft	4 ft	6 ft	8 ft	10 ft	12 ft	14 ft	16 ft	18 ft	20 ft	22 ft	24 ft	26 ft	28 ft	30 ft
0 lb	18.1 ft	18.1 ft	18.1 ft	18.1 ft	18.1 ft	18.1 ft	18.1 ft	18.1 ft	18.1 ft	18.1 ft	18.1 ft	18.1 ft	18.1 ft	18.1 ft	18.1 ft	18.1 ft
5 lb	18.1 ft	18.1 ft	18.1 ft	18.1 ft	18.1 ft	18.1 ft	18.1 ft	18.1 ft	18.1 ft	18.1 ft	18.1 ft	18.1 ft	18.1 ft	18.1 ft	18.1 ft	18.1 ft
10 lb	18.1 ft	18.1 ft	18.1 ft	18.1 ft	18.1 ft	18.1 ft	18.1 ft	18.1 ft	18.1 ft	18.1 ft	18.1 ft	18.1 ft	18.1 ft	18.1 ft	18.1 ft	18.1 ft
15 lb	18.1 ft	18.1 ft	18.1 ft	18.1 ft	18.1 ft	18.1 ft	18.1 ft	18.1 ft	18.1 ft	18.1 ft	18.1 ft	18.1 ft	18.1 ft	18.1 ft	18.1 ft	18.1 ft
20 lb	18.1 ft	18.1 ft	18.1 ft	18.1 ft	18.1 ft	18.1 ft	18.1 ft	18.1 ft	18.1 ft	18.1 ft	18.1 ft	18.1 ft	18.1 ft	18.1 ft	18.1 ft	18.1 ft
25 lb	18.1 ft	18.1 ft	18.1 ft	18.1 ft	18.1 ft	18.1 ft	18.1 ft	18.1 ft	18.1 ft	18.1 ft	18.1 ft	18.1 ft	18.1 ft	18.1 ft	18.1 ft	18.1 ft
30 lb	18.1 ft	18.1 ft	18.1 ft	18.1 ft	18.1 ft	18.1 ft	18.1 ft	18.1 ft	18.1 ft	18.1 ft	18.1 ft	18.1 ft	18.1 ft	18.1 ft	18.1 ft	18.1 ft
35 lb	18.1 ft	18.1 ft	18.1 ft	18.1 ft	18.1 ft	18.1 ft	18.1 ft	18.1 ft	18.1 ft	18.1 ft	18.1 ft	18.1 ft	18.1 ft	18.1 ft	18.1 ft	18.1 ft
40 lb	18.1 ft	18.1 ft	18.1 ft	18.1 ft	18.1 ft	18.1 ft	18.1 ft	18.1 ft	18.1 ft	18.1 ft	18.1 ft	18.1 ft	18.1 ft	18.1 ft	18.1 ft	18.1 ft
45 lb	18.1 ft	18.1 ft	18.1 ft	18.1 ft	18.1 ft	18.1 ft	18.1 ft	18.1 ft	18.1 ft	18.1 ft	18.1 ft	18.1 ft	18.1 ft	18.1 ft	18.1 ft	18.1 ft
50 lb	18.1 ft	18.1 ft	18.1 ft	18.1 ft	18.1 ft	18.1 ft	18.1 ft	18.1 ft	18.1 ft	18.1 ft	18.1 ft	18.1 ft	18.1 ft	18.1 ft	18.1 ft	18.1 ft
55 lb	18.1 ft	18.1 ft	18.1 ft	18.1 ft	18.1 ft	18.1 ft	18.1 ft	18.1 ft	18.1 ft	18.1 ft	18.1 ft	18.1 ft	18.1 ft	18.1 ft	18.1 ft	18.1 ft
60 lb	18.1 ft	18.1 ft	18.1 ft	18.1 ft	18.1 ft	18.1 ft	18.1 ft	18.1 ft	18.1 ft	18.1 ft	18.1 ft	18.1 ft	18.1 ft	18.1 ft	18.1 ft	18.1 ft

DO NOT REMOVE THIS LABEL

Mfr'd. (yr, mo): Lot: Model No:

Material:

Working Length:

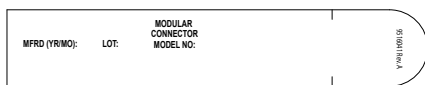
Serial No. Overall Length:

	ANSI Z359 Series	OSHA	OSHA
Capacity	130 lbs - 310 lbs (59 kg - 140 kg)	130 lbs - 310 lbs (59 kg - 140 kg)	130 lbs - 310 lbs (59 kg - 140 kg)
Max arresting force	1,800 lbf (8 kN)	1,350 lbf (6 kN)	1,800 lbf (8 kN)
Avg arresting force	1,350 lbf (6 kN)	900 lbf (4 kN)	N/A
Max arresting distance	42 in. (1.1 m)	42 in. (1.1 m)	42 in. (1.1 m)
Free LE	5 ft (1.5 m)	5 ft (1.5 m)	5 ft (1.5 m)

9520120 Rev. C

OSHA columna 1: 20 & 33
OSHA columna 2: 50 & 66

C Solo SRD 3590298 modular



D Solo SRD 3590298 modular

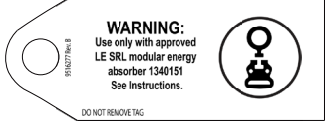


Figura 15: etiquetas del producto

3M PROTECTA
3M.com/FallProtection
Lifeline: 5 mm (3/16 in) 7 x 19 galvanized cable (G) or stainless steel cable (S).

USE: Anchorage strength requirement 22kN (5000 lb). Attach SRL directly to anchorage using supplied connector, as directly above work area as possible to reduce swing fall hazard. Do not work above anchorage level. Minimum clearance required equals 6ft. Additional clearance is required for swing fall situations. See user manual for further fall clearance guidance. Full body harness required for use with this device. Avoid lifeline contact with sharp edges and abrasive surfaces. Single user only. Capacity includes clothing, tools, and equipment. For use by trained persons only. This unit is suitable for use with horizontal lifelines. See user manual for additional information including suitability for horizontal use. Contact 3M Fall Protection with any questions about the proper use of this product.

INSPECTION: Before each use, and at least annually, inspect in accordance with the User Manual including locking function (pull sharply to test), retraction, lifeline condition, function and condition of connector, housing and fasteners, legibility of labels, and any evidence of defects, damage or missing parts. Inspection by a competent person required at least annually. In Canada this device shall be returned to the manufacturer or approved service agent no more than 2 years after the date of manufacture for inspection and maintenance, and annually thereafter. See User Manual. Do not use if inspection reveals an unsafe condition. Not user repairable.

1 **WARNING:** Read instructions before use. Manufacturer's instructions supplied with this product must be followed for proper use. Failure to follow instructions may result in serious injury or death. This device shall be removed from service when the impact indicator is deployed.

3 **4** Mfrd. (yr. mo): **6** Lot: **7** Model No: **8**

5 Material: **9** Working Length: **10** Overall Length: **11** Next Service: **12**

Capacity	ANSI Z359 Series	OSHA	OSHA
	1,350 lbs. - 170 lbs. (59 kg - 140 kg)	1,350 lbs. - 170 lbs. (59 kg - 140 kg)	311 lbs. - 420 lbs. (141 kg - 191 kg)
Max arresting force:	1,800 lbf (8 kN)	1,350 lbf (6 kN)	1,350 lbf (6 kN)
Avg. arresting force:	1,350 lbf (6 kN)	900 lbf (4 kN)	N/A
Max arresting clearance:	42 in. (1.1 m)	42 in. (1.1 m)	42 in. (1.1 m)
Max Frct:	2 ft (0.6 m)	2 ft (0.6 m)	2 ft (0.6 m)

13 Exposed color band on hook indicates impact loading and device must be removed from service.

DO NOT REMOVE THIS LABEL

9520121 Rev. C

D

E

1 **2** **3** **4** **5**

9508723 Rev. A

9508722 Rev. B

Tabla 2 – Registro de inspección y mantenimiento

Número del modelo (número de serie):				
Fecha de compra:		Fecha del primer uso:		
...				
<input checked="" type="checkbox"/> <i>El usuario debe inspeccionar este producto antes de cada uso. Además, una persona competente que no sea el usuario debe inspeccionar este equipo al menos una vez al año.</i>				
...				
Componente	Procedimiento de inspección	Resultado de la inspección		
		Aprobado	Desaprobado	
SRD - General (Figura 9.1)	Revise el equipo para determinar si tiene pernos sueltos o partes dobladas o dañadas.	<input type="checkbox"/>	<input type="checkbox"/>	
	Revise la carcasa (A) para verificar si está deformada o presenta fracturas u otros daños.	<input type="checkbox"/>	<input type="checkbox"/>	
	Revise el ojal de giro libre (B) para verificar si está deformado o presenta fracturas u otros daños. El ojal de giro libre debe estar conectado de modo seguro a la SRD, pero debe girar libremente.	<input type="checkbox"/>	<input type="checkbox"/>	
	La línea de vida (C) debe extenderse y retraerse completamente sin dificultad o sin aflojarse.	<input type="checkbox"/>	<input type="checkbox"/>	
	Asegúrese de que el dispositivo se trabe cuando se tire de la línea de vida de manera brusca. La traba debe ser segura y no deslizarse.	<input type="checkbox"/>	<input type="checkbox"/>	
	Revise si la unidad presenta señales de corrosión.	<input type="checkbox"/>	<input type="checkbox"/>	
Conectores (Figura 9.2)	Inspeccione todos los conectores SRD en busca de señales de daño o corrosión. Compruebe que todos los conectores están funcionando correctamente. Donde estén presentes: Las hebillas (A) deben poder abrirse, cerrarse, trabarse y destrabarse correctamente, los ojales giratorios (B) deben girar sin interferencia y los botones de bloqueo y pasadores deben funcionar correctamente.	<input type="checkbox"/>	<input type="checkbox"/>	
Gancho de seguridad de giro libre e indicador de impacto (Figura 9.3)	Inspeccione el indicador de impacto. Si se muestra la banda roja y el ojal no gira libremente, es porque ha ocurrido una carga de impacto y el SRD se debe retirar del servicio. No trate de restablecer el indicador de impacto. Envíe la SRD a un centro de servicio autorizado para su reposición.	<input type="checkbox"/>	<input type="checkbox"/>	
Anticaídas de cable (Figura 9.4)	Revise la cuerda de cable para detectar cortes, ensortijamientos (A), alambres rotos (B), arqueamiento de los alambres (C), salpicaduras de metal fundido, corrosión, áreas de contacto con productos químicos o áreas muy erosionadas (D). Deslice hacia arriba el tope de la línea de vida (E) e inspeccione los casquillos (F) en busca de daño. Reemplace el grupo de cables si hay seis o más cables rotos en una vuelta, o tres o más cables rotos en una hebra de una vuelta. Reemplace el conjunto si hay cables rotos a menos de 25 mm (1 in.) de los casquillos.	<input type="checkbox"/>	<input type="checkbox"/>	
Línea de vida de reserva (Figura 9.5)	Inspeccione la capacidad de extensión de la línea de vida de reserva. Extienda todo el anticaídas SRD hasta el tope. Si puede ver una etiqueta de advertencia o banda roja (X), la línea de vida de reserva se utilizó y antes de volver a usarla se debe reparar en un centro de servicio autorizado.	<input type="checkbox"/>	<input type="checkbox"/>	
SRD-LE (Figura 10)	Verifique que el absorbedor de energía integral no se haya activado. No debe haber ninguna correa separada de la cubierta (A). La cubierta debe estar segura y libre de roturas (B) u otros daños.	<input type="checkbox"/>	<input type="checkbox"/>	
SRD-R (Figura 11)	Inspeccione el brazo de la manivela (A) en busca de distorsiones u otros daños. Asegúrese de que la manija de recuperación (B) se pueda plegar y asegurar en la posición de arranque.	<input type="checkbox"/>	<input type="checkbox"/>	
	Asegúrese de que la perilla de cambio de recuperación (C) se pueda retirar y colocar en la posición destrabada y luego soltar de tal modo que se trabe el brazo de la manivela en las posiciones de activado y desactivado.	<input type="checkbox"/>	<input type="checkbox"/>	
	Pruébe que la función de recuperación funcione correctamente. Para hacerlo, suba y baje un peso de prueba de, al menos, 34 kg (75 lb). Cuando se suelta la manija de recuperación, no se debe mover el peso y la manija de recuperación se debe mantener en posición. Se debe escuchar un sonido de "clic" al levantar la carga.	<input type="checkbox"/>	<input type="checkbox"/>	
Etiquetas (Figura 15)	Todas las etiquetas están presentes y son completamente legibles.	<input type="checkbox"/>	<input type="checkbox"/>	
Equipo de protección contra caídas	El equipo adicional de protección contra caídas que se utiliza con el producto se instala e inspecciona según las instrucciones del fabricante.	<input type="checkbox"/>	<input type="checkbox"/>	
...				
<input checked="" type="checkbox"/> <i>Si el producto no se aprueba en un procedimiento de inspección, entonces no se aprueba la inspección general. Si el producto no se aprueba en la inspección, retírelo de inmediato del servicio. Ponga una etiqueta clara de "NO UTILIZAR" en el producto. Consulte la Sección 5 para obtener más información.</i>				
...				
Tipo de inspección:	<input type="checkbox"/> Usuario	<input type="checkbox"/> Persona competente	Resultado de la inspección general:	<input type="checkbox"/> Aprobado <input type="checkbox"/> Desaprobado
Inspeccionado por:			Fecha de la inspección:	
Firma:			Fecha de la próxima inspección:	
...				
Notas adicionales:				

<p align="center">GLOBAL PRODUCT WARRANTY, LIMITED REMEDY AND LIMITATION OF LIABILITY</p> <p>WARRANTY: THE FOLLOWING IS MADE IN LIEU OF ALL WARRANTIES OR CONDITIONS, EXPRESS OR IMPLIED, INCLUDING THE IMPLIED WARRANTIES OR CONDITIONS OF MERCHANTABILITY OR FITNESS FOR A PARTICULAR PURPOSE.</p> <p>Unless otherwise provided by local laws, 3M fall protection products are warranted against factory defects in workmanship and materials for a period of one year from the date of installation or first use by the original owner.</p> <p>LIMITED REMEDY: Upon written notice to 3M, 3M will repair or replace any product determined by 3M to have a factory defect in workmanship or materials. 3M reserves the right to require product be returned to its facility for evaluation of warranty claims. This warranty does not cover product damage due to wear, abuse, misuse, damage in transit, failure to maintain the product or other damage beyond 3M's control. 3M will be the sole judge of product condition and warranty options.</p> <p>This warranty applies only to the original purchaser and is the only warranty applicable to 3M's fall protection products. Please contact 3M's customer service department in your region for assistance.</p> <p>LIMITATION OF LIABILITY: TO THE EXTENT PERMITTED BY LOCAL LAWS, 3M IS NOT LIABLE FOR ANY INDIRECT, INCIDENTAL, SPECIAL OR CONSEQUENTIAL DAMAGES INCLUDING, BUT NOT LIMITED TO LOSS OF PROFITS, IN ANY WAY RELATED TO THE PRODUCTS REGARDLESS OF THE LEGAL THEORY ASSERTED.</p>	<p align="center">글로벌 제품 보증, 제한적 구제책 및 책임 제한</p> <p>보증: 다음은 특정 목적의 적합성에 대한 명시적 혹은 암묵적 보증이나 조건을 포함한 모든 명시적 또는 암묵적 보증이나 조건을 대신하여 적용됩니다.</p> <p>현지 법률에 별도의 규정이 없는 한, 3M 추락 방지 제품은 최초 소유자가 설치 또는 처음 사용한 날로부터 1년 동안 제조 공정 및 재료의 공장 결함에 대해 보증을 받습니다.</p> <p>제한적 구제책: 3M이 서면 통지서를 접수한 후 3M은 3M이 제조 공정 또는 재료의 공장 결함으로 판단한 모든 제품을 수리하거나 교체합니다. 3M은 보증 청구에 대한 심사를 위해 제품이 해당 공장으로부터 반송되도록 요청할 권리를 가집니다. 마모, 오용, 운송 중 발생한 손상, 제품의 유지보수 실패 또는 3M의 통제를 벗어난 기타 손상으로 인한 제품 손상은 이 보증에 적용되지 않습니다. 제품 상태 및 보증 방법은 3M이 단독으로 판단합니다.</p> <p>본 보증은 최초 구매자에게만 적용되며 3M 추락 방지 제품에 적용되는 유일한 보증입니다. 도움이 필요한 경우 해당 지역의 3M 고객 서비스 부서로 문의하십시오.</p> <p>책임 제한: 3M은 현지 법률이 허용하는 한도에서, 주장된 법률 이론과 상관없이, 제품과 관련된 모든 유형의 수익 손실을 포함하되 이에 국한되지 않는 일체의 간접적, 부수적, 특수적 또는 결과적 손해에 대해 책임을 지지 않습니다.</p>
<p align="center">GARANTÍA GLOBAL DEL PRODUCTO, REPARACIONES LIMITADAS Y LIMITACIÓN DE RESPONSABILIDAD</p> <p>GARANTÍA: EL SIGUIENTE TEXTO SIRVE A MODO DE GARANTÍA O CONDICIÓN, EXPLÍCITA O IMPLÍCITA, E INCLUYE LAS GARANTÍAS O CONDICIONES IMPLÍCITAS DE COMERCIABILIDAD O APTITUD PARA UN PROPÓSITO ESPECÍFICO.</p> <p>A menos que las leyes locales indiquen lo contrario, los productos de protección contra caídas 3M tienen garantía por defectos de fábrica en la mano de obra y en los materiales durante un período de un año desde la fecha de instalación o desde el primer uso del propietario original.</p> <p>REPARACIONES LIMITADAS: 3M reparará o reemplazará un producto si determina que tiene un defecto de fábrica en la mano de obra o en los materiales y tras haber recibido una notificación por escrito sobre el presunto defecto. 3M se reserva el derecho de exigir la devolución del producto a sus instalaciones para evaluar los reclamos sobre la calidad. Esta garantía no cubre los daños ocasionados por el desgaste, el abuso, el mal mantenimiento, o como consecuencia del traslado del producto, u otros daños ajenos al control de 3M. 3M será el único capaz de determinar la condición del producto y las opciones de la garantía.</p> <p>Esta garantía solo se aplica al comprador original y es la única garantía válida para los productos de protección contra caídas 3M. Comuníquese con el departamento de servicio al cliente de 3M de su región para obtener ayuda.</p> <p>LIMITACIÓN DE RESPONSABILIDAD: EN LA MEDIDA PERMITIDA POR LAS LEYES LOCALES, 3M NO SERÁ RESPONSABLE DE LOS DAÑOS INDIRECTOS, IMPREVISTOS, ESPECIALES O CONSECUENTES; ENTRE ELLOS, LA PÉRDIDA DE INGRESOS RELACIONADOS DE CUALQUIER MANERA CON LOS PRODUCTOS, INDEPENDIEMENTE DE LA TEORÍA JURÍDICA QUE SE PUDIERA INVOCAR.</p>	



Fall Protection

USA

3833 SALA Way
Red Wing, MN 55066-5005
Toll Free: 800.328.6146
Phone: 651.388.8282
Fax: 651.388.5065
3Mfallprotection@mmm.com

Brazil

Rodovia Anhanguera, km 110
Sumaré - SP
CEP: 13181-900
Brasil
Phone: 0800-013-2333
falecoma3m@mmm.com

Mexico

Av. Santa Fe No. 190
Col. Santa Fe, Ciudad de Mexico
CP 01219, Mexico
Phone: 01 800 120 3636
3msaludocupacional@mmm.com

Canada

600 Edwards Blvd, Unit #2
Mississauga, ON L5T 2V7
Phone: 905.795.9333
Toll-Free: 800.387.7484
Fax: 888.387.7484
3Mfallprotection-ca@mmm.com

EMEA (Europe, Middle East, Africa)

EMEA Headquarters:
Le Broc Center
Z.I. 1re Avenue - BP15
06511 Carros Le Broc Cedex
France
Phone: + 33 04 97 10 00 10
Fax: + 33 04 93 08 79 70
informationfallprotection@mmm.com

Australia & New Zealand

137 McCredie Road
Guildford
Sydney, NSW, 2161
Australia
Toll-Free : 1800 245 002 (AUS)
Toll-Free : 0800 212 505 (NZ)
3msafetyaucs@mmm.com

Asia

Singapore:
1 Yishun Avenue 7
Singapore 768923
Phone: +65-6450 8888
Fax: +65-6552 2113
TotalFallProtection@mmm.com

China:

38/F, Maxdo Center, 8 Xing Yi Rd
Shanghai 200336, P R China
Phone: +86 21 62753535
Fax: +86 21 52906521
3MFallProtecton-CN@mmm.com

Korea:

3M Koread Ltd
20F, 82, Uisadang-daero,
Yeongdeungpo-gu, Seoul
Phone: +82-80-033-4114
Fax: +82-2-3771-4271
TotalFallProtection@mmm.com

Japan:

3M Japan Ltd
6-7-29, Kitashinagawa, Shinagawa-ku, Tokyo
Phone: +81-570-011-321
Fax: +81-3-6409-5818
psd.jp@mmm.com

WEBSITE:
3M.com/FallProtection



EU DECLARATION OF CONFORMITY:
3M.com/FallProtection/DOC